

Rectifier Relocation

Triumph Bonneville, Thruxton & Scrambler

HMT.11.10400 Instructions Rev:00

PLEASE READ BEFORE INSTALLING

TWISTED THROTTLE products should be installed by a qualified, experienced motorcycle technician. If you are unsure of your ability to properly install a product, please have the product installed by your local motorcycle dealer. TWISTED THROTTLE takes no responsibility for damages caused by improper installation.

All screws, bolts, and nuts, including all replacement hardware provided by TWISTED THROTTLE should be tightened to the torque specified in the OEM maintenance manual for your motorcycle. If no torque specifications are provided in the OEM maintenance manual, the following torques may be used:

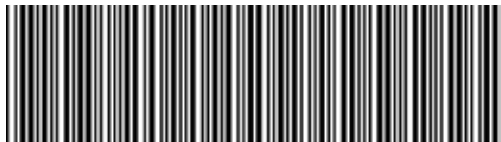
| | |
|---------|-------------------|
| M5..... | 3.5 ft-lbs (5 Nm) |
| M6..... | 7 ft-lbs (9.6 Nm) |
| M8..... | 13 ft-lbs (18 Nm) |

All screws, bolts, and nuts should be checked after driving the first 30 miles (50 km) to ensure that all are tightened to the proper torque.






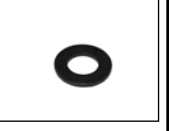

Medium strength liquid thread-locker (i.e., "Locktite") should be used to secure all screws, bolts, and nuts.

Distributed by:

| | |
|---|---|
| Twisted Throttle LLC 570 Nooseneck Hill Rd Exeter, RI 02822 | phone: 855.255.5550 fax: 401.223.6955 www.twistedthrottle.com |
|---|---|

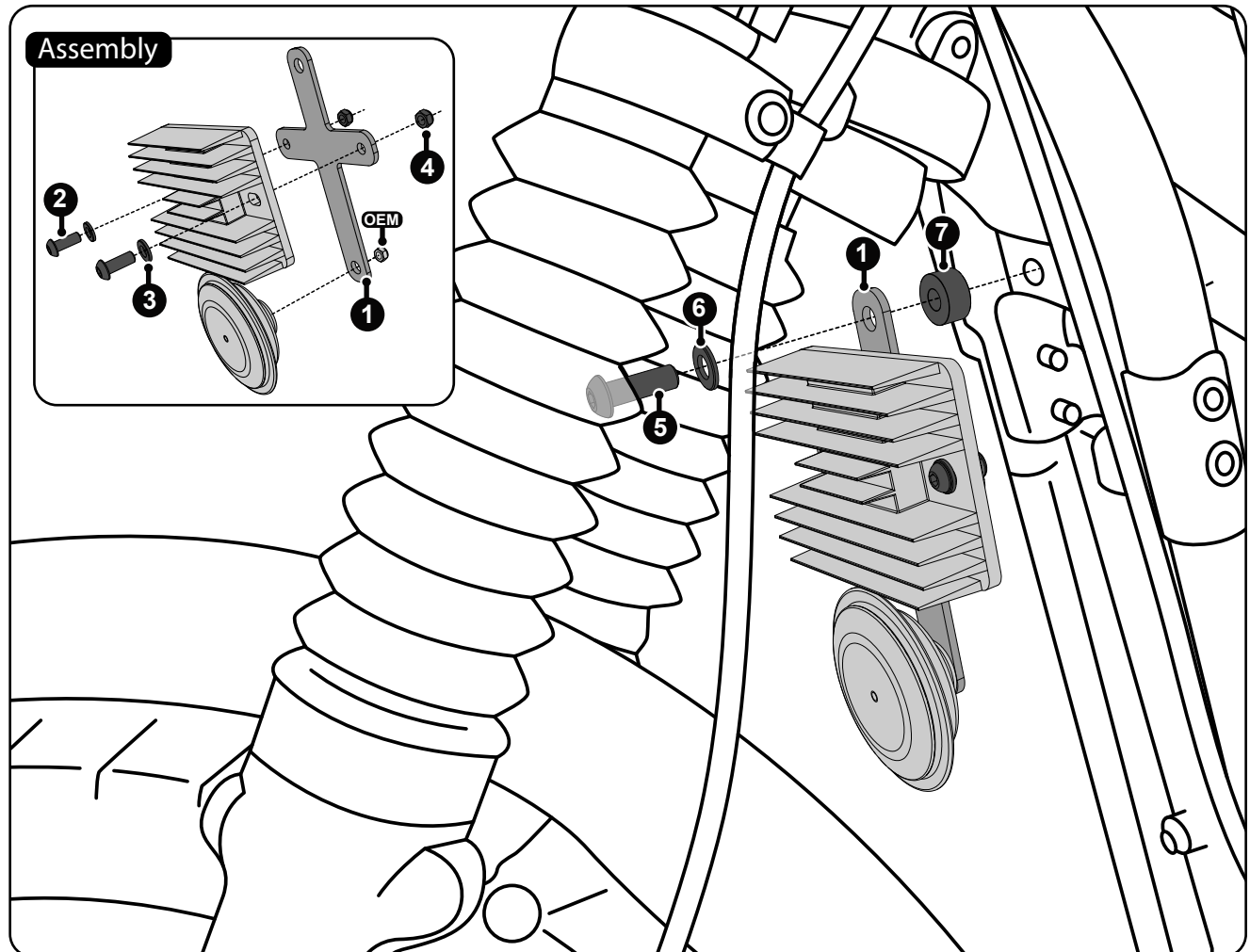


Installation Instructions

| | | | | | | |
|--|--|--|--|---|--|--|
| <p>1 Mounting Bracket</p>  <p>HMT.11.003 Qty.....1</p> | <p>2 Lens Head Screw</p>  <p>M6x16.....ISO 7380 Qty.....2</p> | <p>3 Washer</p>  <p>M6.....DIN 125 Qty.....4</p> | <p>4 Nylock Nut</p>  <p>M6.....DIN 985 Qty.....2</p> | <p>5 Lens Head Screw</p>  <p>M8x25.....ISO 7380 Qty.....1</p> | <p>6 Washer</p>  <p>M8.....DIN 125 Qty.....1</p> | <p>7 Spacer</p>  <p>OD: 19.05mm, ID: 8.1mm, L: 9.5mm Qty.....1</p> |
|--|--|--|--|---|--|--|

Step One: Remove the rectifier/regulator and horn/reflector assembly from their original locations. Use the M6 Bolts (#2), Washers (#3) and Nuts (#4) to mount the rectifier/regulator to the Mounting Bracket (#1). Next re-use the OEM hardware from the horn to bolt it to the Mounting Bracket (#1)

Step Two: Finally use the M8 Bolt (#5), Washer (#6) and Spacer (#7) to bolt the entire assembly (#1) to the M8 threaded hole that was used for the OEM horn/reflector assembly.



Dual DR1 Head Light Mounting Bracket

Triumph Bonneville, Thruxton & Scrambler

LAH.11.10200 Instructions Rev:00

PLEASE READ BEFORE INSTALLING

TWISTED THROTTLE products should be installed by a qualified, experienced motorcycle technician. If you are unsure of your ability to properly install a product, please have the product installed by your local motorcycle dealer. TWISTED THROTTLE takes no responsibility for damages caused by improper installation.

All screws, bolts, and nuts, including all replacement hardware provided by TWISTED THROTTLE should be tightened to the torque specified in the OEM maintenance manual for your motorcycle. If no torque specifications are provided in the OEM maintenance manual, the following torques may be used:

| | |
|---------|-------------------|
| M5..... | 3.5 ft-lbs (5 Nm) |
| M6..... | 7 ft-lbs (9.6 Nm) |
| M8..... | 13 ft-lbs (18 Nm) |

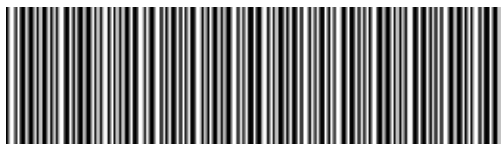
All screws, bolts, and nuts should be checked after driving the first 30 miles (50 km) to ensure that all are tightened to the proper torque.

Medium strength liquid thread-locker (i.e., "Locktite") should be used to secure all screws, bolts, and nuts.

Distributed by:

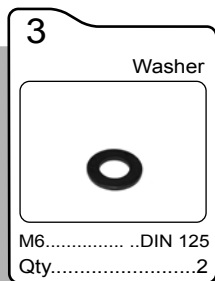
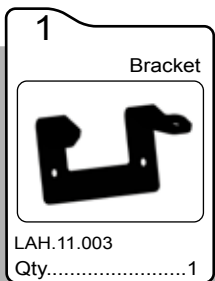
Twisted Throttle LLC
570 Nooseneck Hill Rd
Exeter, RI 02822

phone: 855.255.5550
fax: 401.223.6955
www.twistedthrottle.com

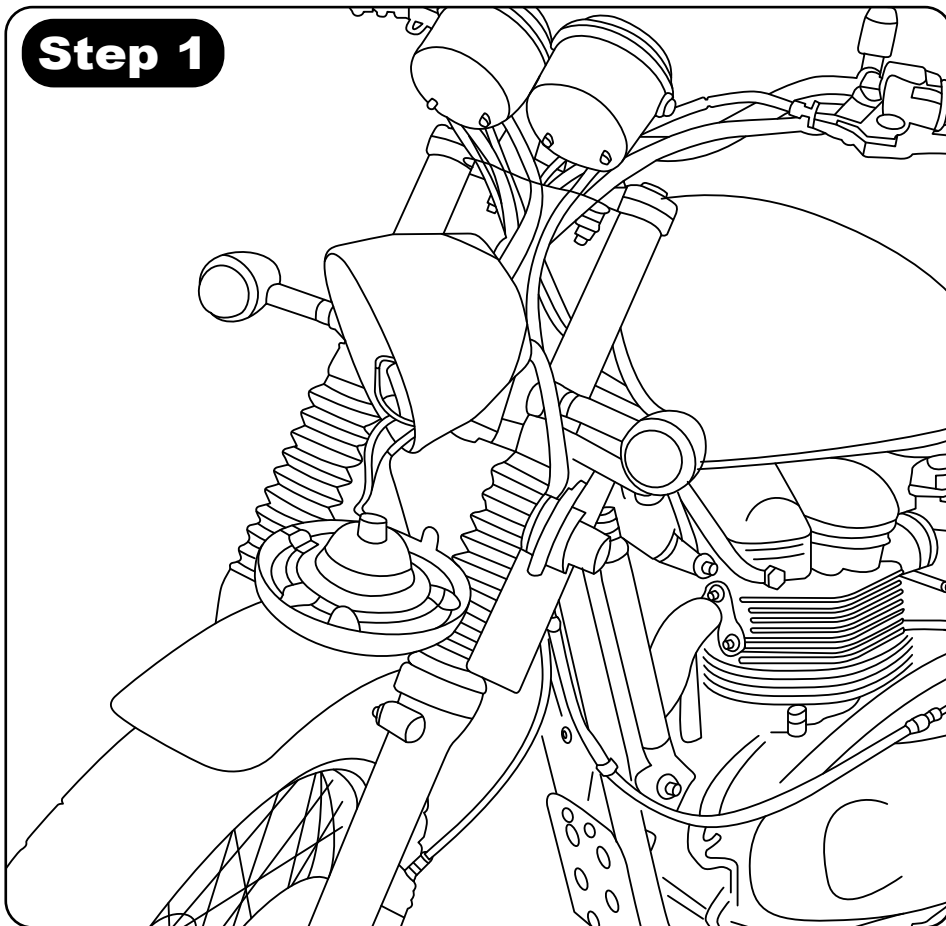


Installation Instructions

Kit Contents

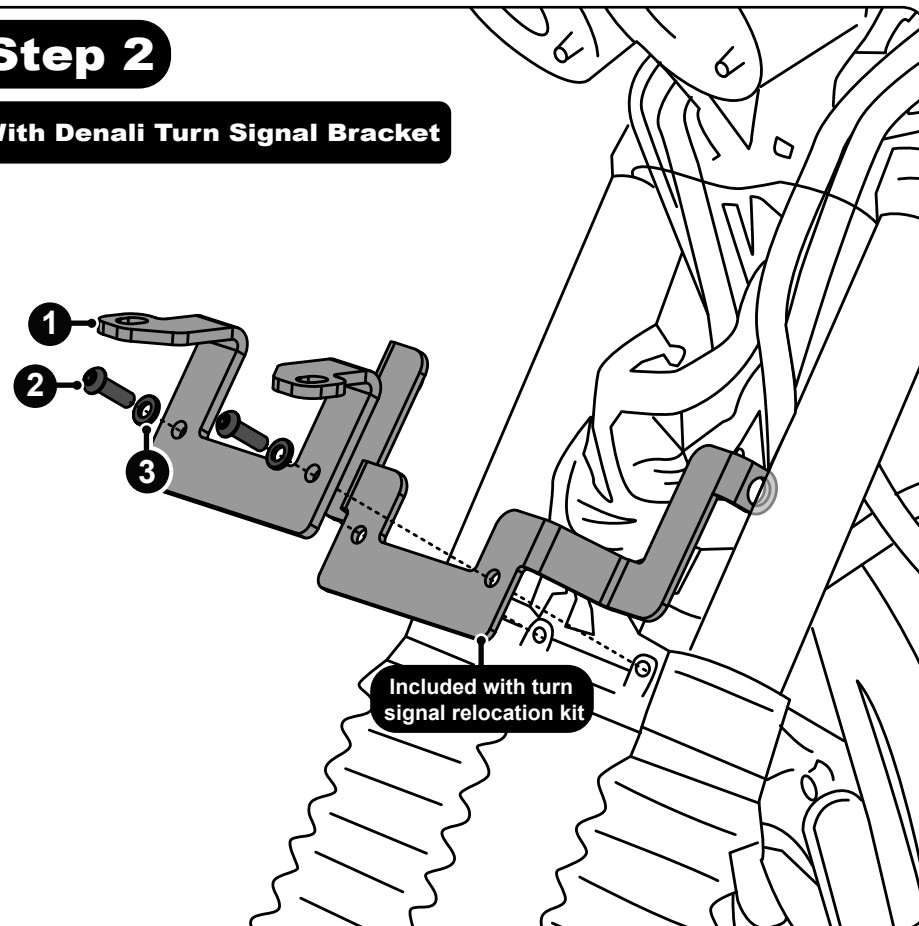


Step 1



Step 2

With Denali Turn Signal Bracket

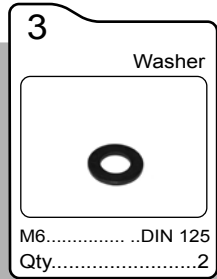
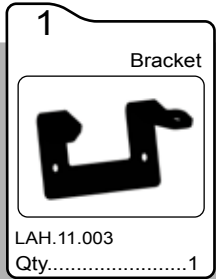


Step One: Remove the OEM Headlight, Headlight Mounts, Turn Signals.

Step Two (Option One): Bolt the Mounting Bracket (#1) and Turn Signal Relocation Bracket to the lower triple tree using the M6 Bolts (#2) and Washers (#3). *If you are not using the turn signal relocation bracket see option two.*

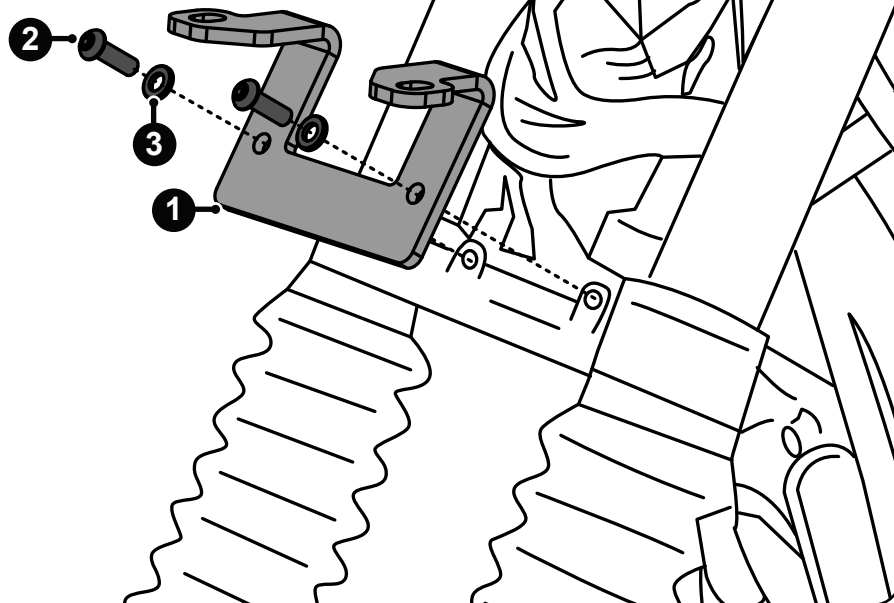
Installation Instructions

Kit Contents

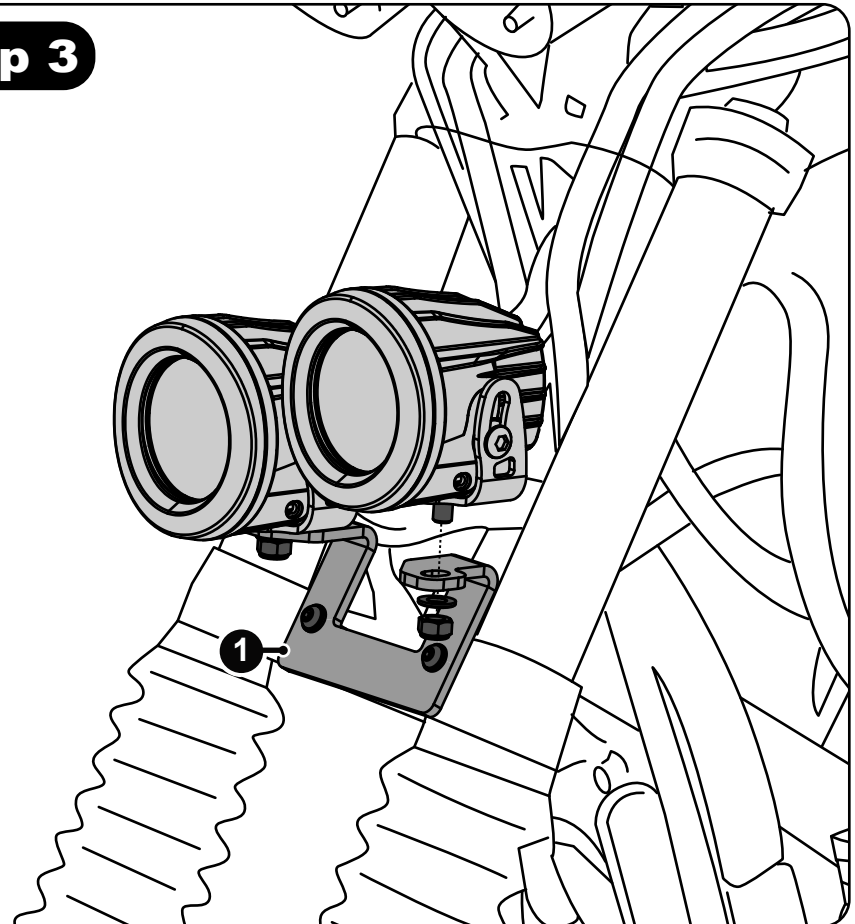


Step 2

Without Denali Turn Signal Bracket



Step 3



Step Two (Option Two): Bolt the Mounting Bracket (#1) to the lower triple tree using the M6 Bolts (#2) and Washers (#3). *If you are also using the turn signal relocation bracket see option one.*

Step Three: Bolt the Denali DR1 Light Pods to the Mounting Bracket (#1) using the hardware that was supplied with the light pods.

Turn Signal Relocation Bracket

Triumph Bonneville, Thruxton & Scrambler

LAH.11.10300 Instructions Rev:00

PLEASE READ BEFORE INSTALLING

TWISTED THROTTLE products should be installed by a qualified, experienced motorcycle technician. If you are unsure of your ability to properly install a product, please have the product installed by your local motorcycle dealer. TWISTED THROTTLE takes no responsibility for damages caused by improper installation.

All screws, bolts, and nuts, including all replacement hardware provided by TWISTED THROTTLE should be tightened to the torque specified in the OEM maintenance manual for your motorcycle. If no torque specifications are provided in the OEM maintenance manual, the following torques may be used:

| | |
|---------|-------------------|
| M5..... | 3.5 ft-lbs (5 Nm) |
| M6..... | 7 ft-lbs (9.6 Nm) |
| M8..... | 13 ft-lbs (18 Nm) |

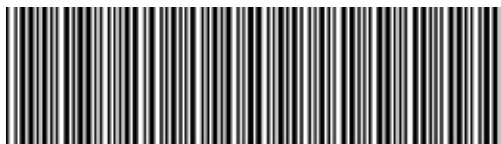
All screws, bolts, and nuts should be checked after driving the first 30 miles (50 km) to ensure that all are tightened to the proper torque.

Medium strength liquid thread-locker (i.e., "Locktite") should be used to secure all screws, bolts, and nuts.

Distributed by:

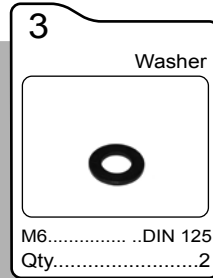
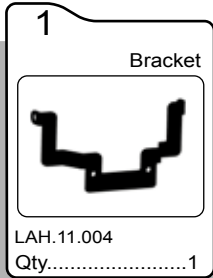
Twisted Throttle LLC
570 Nooseneck Hill Rd
Exeter, RI 02822

phone: 855.255.5550
fax: 401.223.6955
www.twistedthrottle.com



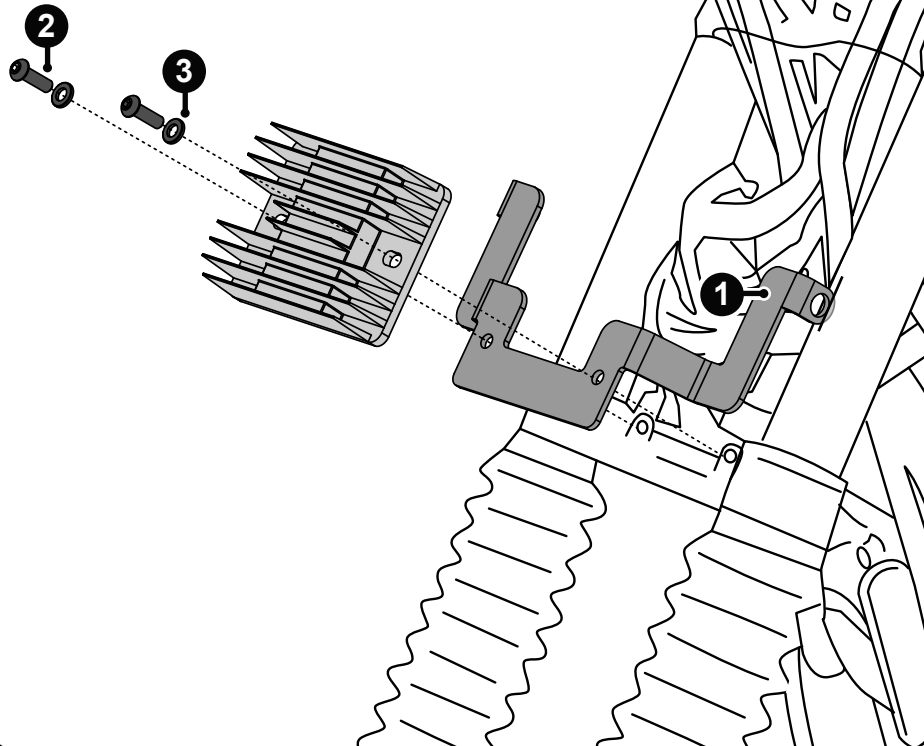
Installation Instructions

Kit Contents



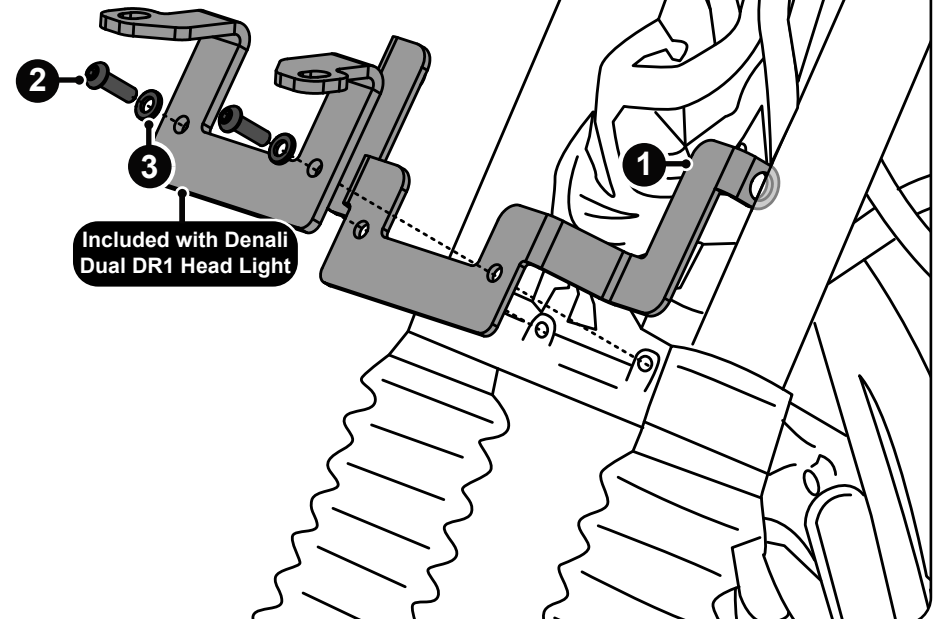
Step 1

With OEM Regulator/Rectifier



Step 1

With Denali Dual DR1 Bracket



Step One (Options One): Remove the OEM Regulator/Rectifier. Use the M6 Bolts (#2) and Washers (#3) to bolt the Turn Signal Bracket (#1) and Regulator/Rectifier to the lower triple tree. *If you are also installing the Denali Dual DR1 Head Light Kit see option two.*

Step Two (Option Two): Bolt the Dual DR1 Mounting Bracket and Turn Signal Relocation Bracket (#1) to the lower triple tree using the M6 Bolts (#2) and Washers (#3). *If you are not also installing the Denali Dual DR1 Head Light Kit see option one.*

Denali Ignition Relocation

Triumph Bonneville, Thruxton & Scrambler

MBK.11.10000 Instructions Rev:00

PLEASE READ BEFORE INSTALLING

TWISTED THROTTLE products should be installed by a qualified, experienced motorcycle technician. If you are unsure of your ability to properly install a product, please have the product installed by your local motorcycle dealer. TWISTED THROTTLE takes no responsibility for damages caused by improper installation.

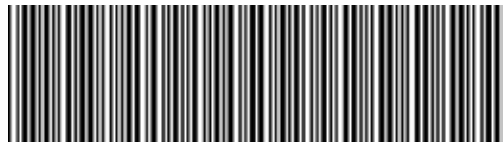
All screws, bolts, and nuts, including all replacement hardware provided by TWISTED THROTTLE should be tightened to the torque specified in the OEM maintenance manual for your motorcycle. If no torque specifications are provided in the OEM maintenance manual, the following torques may be used:

| | |
|---------|-------------------|
| M5..... | 3.5 ft-lbs (5 Nm) |
| M6..... | 7 ft-lbs (9.6 Nm) |
| M8..... | 13 ft-lbs (18 Nm) |



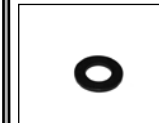

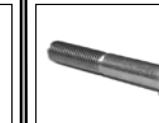
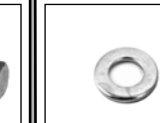

All screws, bolts, and nuts should be checked after driving the first 30 miles (50 km) to ensure that all are tightened to the proper torque.

Medium strength liquid thread-locker (i.e., "Locktite") should be used to secure all screws, bolts, and nuts.

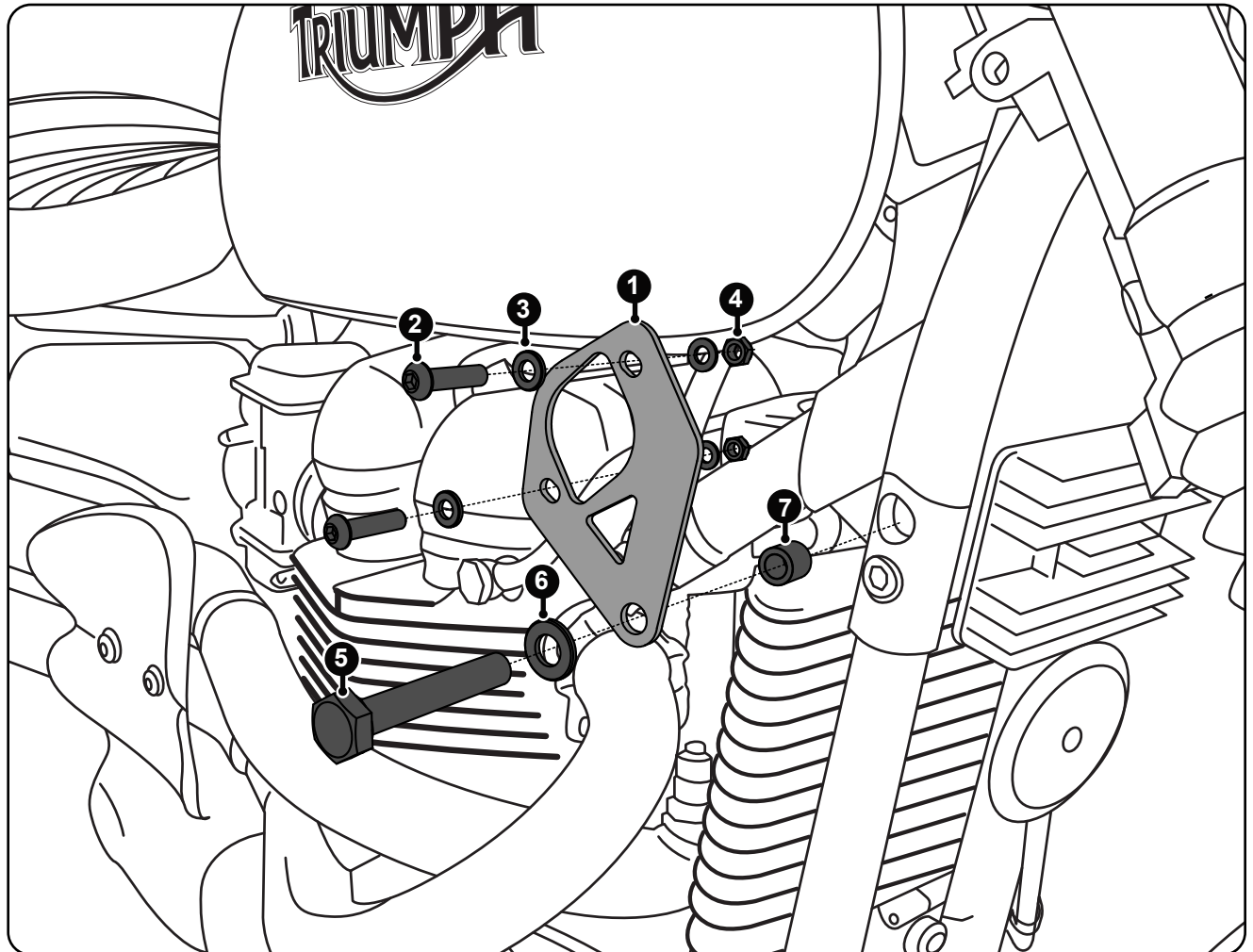
| | |
|---|---|
| Distributed by: | |
| Twisted Throttle LLC 570 Nooseneck Hill Rd Exeter, RI 02822 | phone: 855.255.5550 fax: 401.223.6955 www.twistedthrottle.com |



Installation Instructions

| | | | | | | |
|---|---|---|---|--|--|--|
| <p>1</p> <p>Mounting Bracket</p>  <p>MBK.11.001 Qty.....1</p> | <p>2</p> <p>Socket Head Screw</p>  <p>M6x25.....ISO 7380 Qty.....2</p> | <p>3</p> <p>Washer</p>  <p>M6.....DIN 125 Qty.....4</p> | <p>4</p> <p>Nylock Nut</p>  <p>M6.....DIN 985 Qty.....2</p> | <p>5</p> <p>Hex Head Screw</p>  <p>M10x60.....DIN 960F Qty.....1</p> | <p>6</p> <p>Washer</p>  <p>M10.....DIN 125 Qty.....1</p> | <p>7</p> <p>Spacer</p>  <p>OD: 15.8mm, ID: 10.2mm, L: 16mm Qty.....1</p> |
|---|---|---|---|--|--|--|

Step One: Bolt the ignition to the mounting bracket (#1) using the screws washers and bolts provided (#2,3,4). Remove the OEM upper right hand side frame bolt. Use the spacer washer and bolt (#5,6,7) to attached the ignition bracket to the motorcycle.



Denali DR1 LED Driving Lights Single Intensity

TT-DR1 Instruction Rev: 00

PLEASE READ BEFORE INSTALLING

TWISTED THROTTLE products should be installed by a qualified, experienced motorcycle technician. If you are unsure of your ability to properly install a product, please have the product installed by your local motorcycle dealer. TWISTED THROTTLE takes no responsibility for damages caused by improper installation.

All screws, bolts, and nuts, including all replacement hardware provided by TWISTED THROTTLE should be tightened to the torque specified in the OEM maintenance manual for your motorcycle. If no torque specifications are provided in the OEM maintenance manual, the following torques may be used:

| | |
|---------|-------------------|
| M5..... | 3.5 ft-lbs (5 Nm) |
| M6..... | 7 ft-lbs (9.6 Nm) |
| M8..... | 13 ft-lbs (18 Nm) |


All screws, bolts, and nuts should be checked after driving the first 30 miles (50 km) to ensure that all are tightened to the proper torque.


Medium strength liquid thread-locker (i.e., "Loctite") should be used to secure all screws, bolts, and nuts.

| | |
|---|---|
| Distributed by: | |
| Twisted Throttle LLC 570 Noose Neck Rd Exeter, RI 02822 | phone: 401.284.4200 fax: 401.223.6955 www.twistedthrottle.com |

WARNING! – Only use the included wiring harness to wire Denali lights. Even though the plug may be similar to other wiring, Denali lights have unique circuitry that can easily be damaged by using wiring other than the included harness.

Kit Contents

1
DR1 LED light Pod

10° Optic Installed
Qty.....2


2
Rubber Bushing

Qty.....4

3
Spur Washer (M8)

Qty.....4


4
"U" Bracket Hinge

M8 through hole
Qty.....2

5
Washer (M8)

M8
Qty.....4

6
Lens Head Screw

M8x16.....DIN 7380
Qty.....4


7
Hex Head Screw

M8x16.....DIN 933
Qty.....2

8
Lock Nut (M8)

M8.....DIN 985
Qty.....2


9
Plastic Nut Cap

Qty.....2

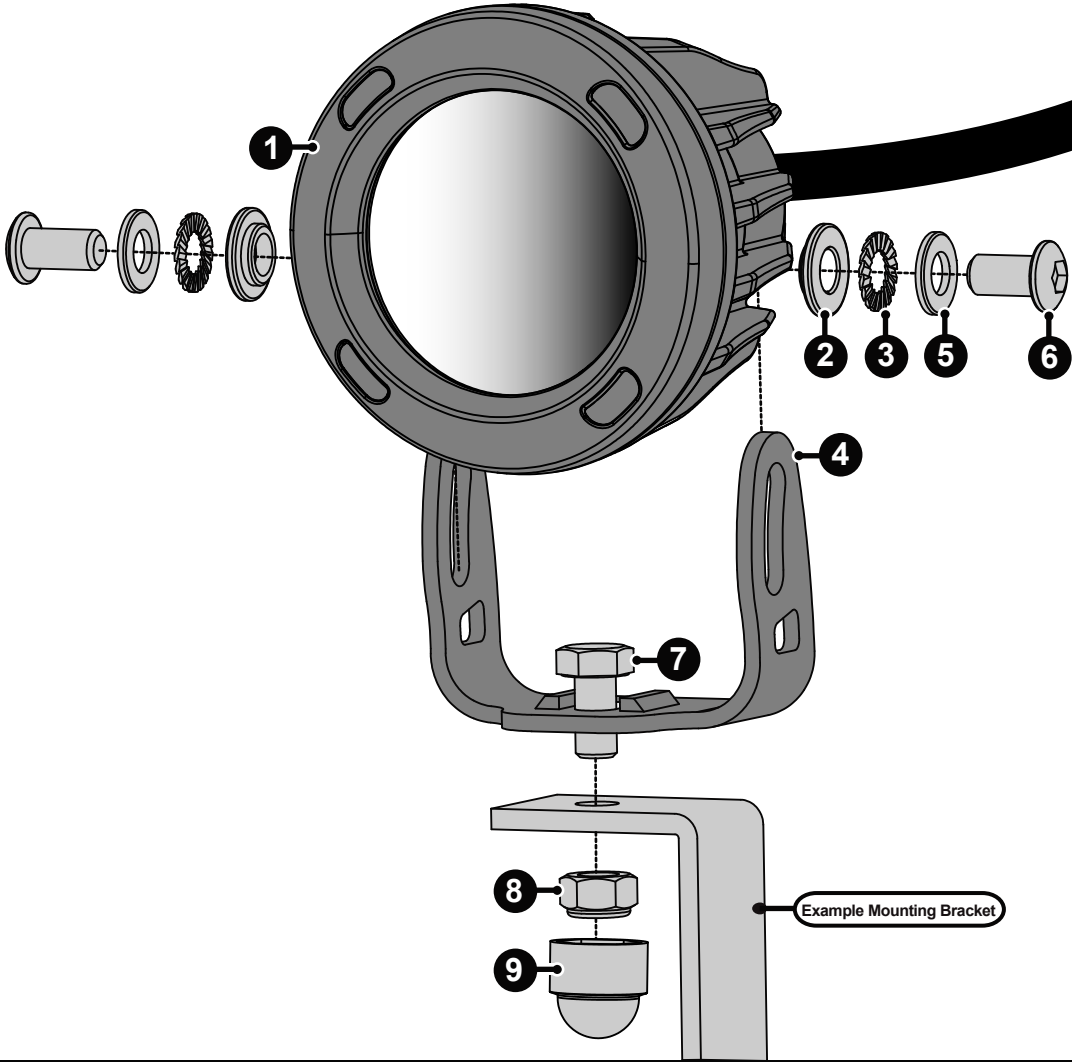
10 Single Intensity
Wiring Harness

5 Amp Fuse
Qty.....1

11
Posi-Tap Connector

Qty.....2

12
Zip Tie

Qty.....4

Mounting Instructions



Wiring Instructions

Option 1 (Lights controlled by Denali on / off switch):

- (1) Attach the positive and negative ring terminals to the battery.
- (2) Identify the **white** wire (switched power) . Use one posi-tap connector to tap the white wire into any switched 12 volt power source. For example, your motorcycles running light wire or dash light wire are a switched 12 volt power source.
- (3) Connect the DR1 Lights and mount the switch. Check to make sure they are functioning properly. Make sure all wires and switch are properly routed from the battery to the lights avoiding hot surfaces, sharp objects, and moving parts.

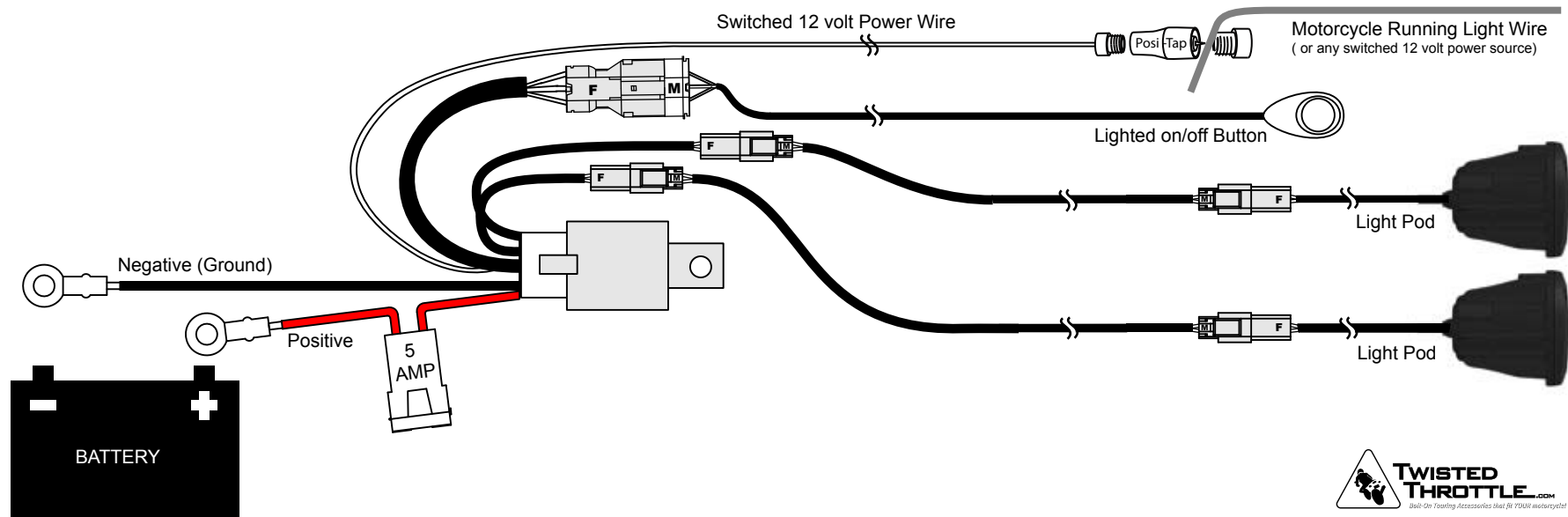
Option 2 (Lights controlled by your motorcycles high beam switch):

- (1) Attach the positive and negative ring terminals to the battery.
- (2) Identify the **white** wire (switched power) . Use one posi-tap connector to tap the white wire into the motorcycles high beam headlight wire. In this wiring configuration, your Denali lights will be operated through your bikes high beam switch. To turn the lights off entirely simply toggle the switch included with the Denali lights.
- (3) Connect the DR1 Lights and mount the switch. Check to make sure they are functioning properly. Make sure all wires and switch are properly routed from the battery to the lights avoiding hot surfaces, sharp objects, and moving parts.

Note: Universal and bike specific mounting kits are available at twistedthrottle.com. Additional wiring options are possible. Visit twistedthrottle.com/denali2 to view an installation tutorial.

Wiring Diagram

Note: This drawing is not to scale and is intended for illustrative purposes only.



DENALI // DR1 Single Intensity LED Driving Lights // TT-DR1

WARNING! – If mounting the lights to the front fender, forks, or fairing, turn the handlebars fully left and right and fully compress & uncompress the suspension to ensure the wires will not bind and have enough slack for your motorcycle to operate properly.