



YOSHIMURA

RESEARCH&DEVELOPMENT OF AMERICA, INC.

5420 DANIELS STREET STE A, CHINO CA 91710 · (800) 634-9166 · (909) 628-4722 · FAX (909) 591-2198

WWW.YOSHIMURA-RD.COM

Signature Series

Qualified Manufacturer Declared "Replacement Part"

**2018
KTM
450 SX-F Factory Edition**

**2018
Husqvarna
FC 450 Rockstar Edition**

**2019
450 SX-F
450 XC-F**

**2019
FC 450
FX 450**

**264620D320 (SS/AL)
264621D720 (Ti/Ti)
RS-4 Full-System Exhaust**



Signature Series systems are:

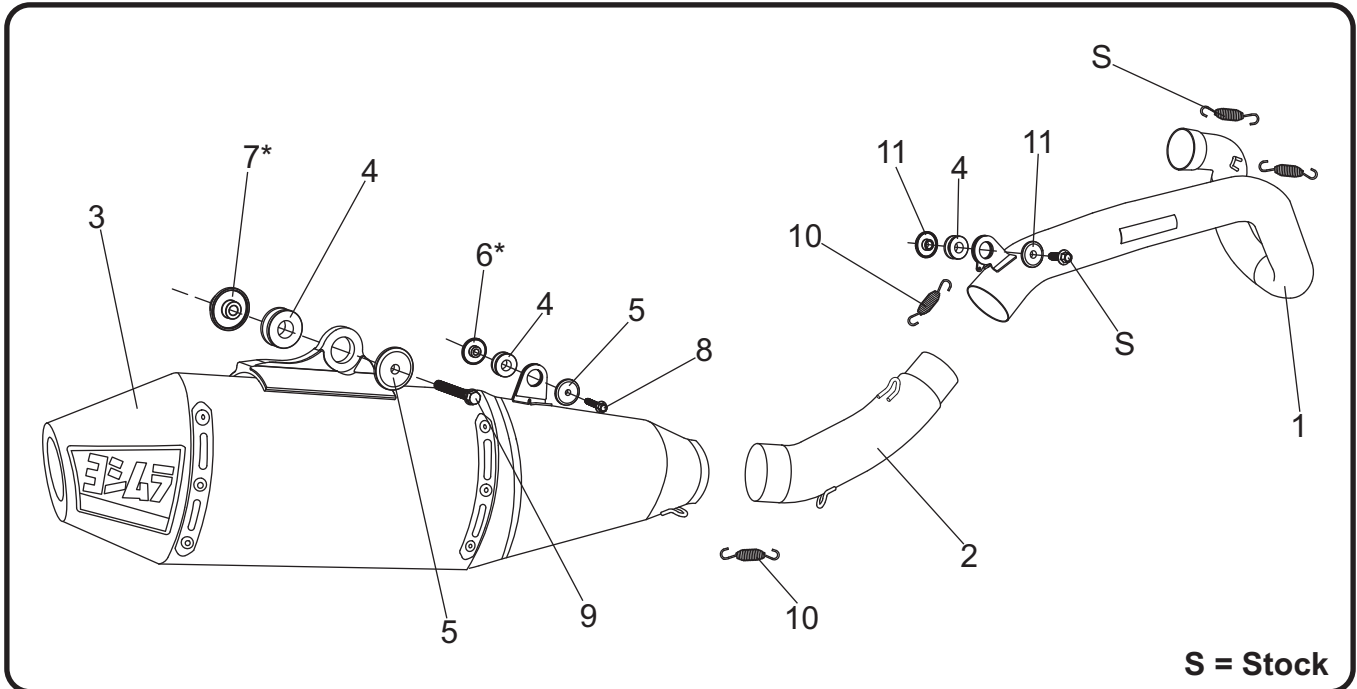
- CARB/EPA tail-pipe emissions compliant.
- Marked with appropriate EPA noise labels.
- Independent laboratory tested for EPA new vehicle noise compliance.



⊗ CAUTION: The muffler packing on this system **MUST** be replaced every 6-8 hours of use, or after each moto. Failure to follow recommended muffler re-packing interval can cause muffler damage and may void the warranty. ⊗

NOTE: IN THE STATE OF CALIFORNIA, IT IS ILLEGAL TO MODIFY THE EMISSION CONTROL SYSTEM, WHICH INCLUDES THE CARBURETORS OF ANY VEHICLE.

Assembly Diagram



No.	Item	Description	Qty.
1	26462-104	Yoshimura SS Header	1
	26462-704	Yoshimura Ti Header	
2	26462-144	Yoshimura SS Tailpipe	1
	26462-744	Yoshimura Ti Tailpipe	
3	264622D320-RMA	SS/AL Muffler Assembly	1
	264621D720-RMA	Ti/Ti Muffler Assembly	
4	Z1023	Rubber Grommet	3
5	ALS-046	Aluminum Spacer	2
6	ALS-054	Aluminum Spacer for Husqvarna	1
	ALS-057	Aluminum Spacer for KTM	1
7	ALS-047	Aluminum Spacer for Husqvarna	1
	ALS-056	Aluminum Spacer for KTM	1
8	M6X35H	6mm x 35mm Flanged Hex Head Bolt	1
9	M6X45H ¹	6mm x 45mm Flanged Hex Head Bolt	1
	M6X50H ²	6mm x 50mm Flanged Hex Head Bolt	
10	RACE-SPS-1	Medium Exhaust Spring	2
11	ALS-043	Aluminum Spacer	2
**	INS-U-3	Low Volume Sound Insert (Installed)	1
**	ST-200	Spring Puller Tool	1
**	347PLUG	Wash Plug	1
**	17029	Sticker Sheet	1
OPTIONAL REPLACEMENT PARTS			
REPACK-RS4-PK12		Re-pack Kit	

** Not shown on diagram.
 1 M6X45H used on KTM 450SX-F.
 2 M6X50H used on Husqvarna FC 450.

CAUTION: Exhaust system can be extremely hot. Let motorcycle cool down before beginning installation. Always wear hand and eye protection and take precautionary measures to avoid injury.

WARNING: Always properly support vehicle with a stand and/or lift when servicing or performing any work. Unstable vehicles may present dangerous conditions and may cause property damage and/or personal injury.

NOTE: Read through all instructions before beginning installation.

Removal

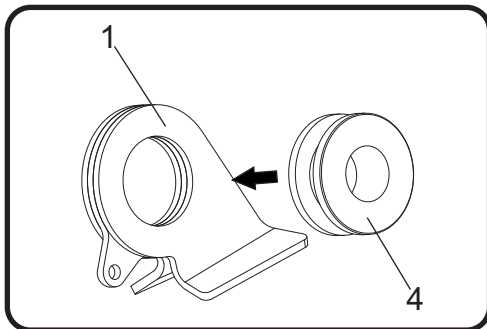
1. Remove the stock exhaust spring between the muffler and header.
2. While securely supporting the stock muffler, remove the two muffler mount bolts and carefully remove the stock muffler.

For Husqvarna FC450, remove side panel to access muffler bolts.

3. Remove the two header exhaust springs.
4. Remove the header chassis mount bolt and carefully remove the stock header.

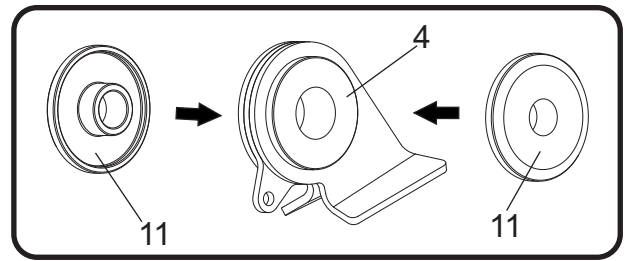
Installation

1. Install (No. 4) Z1023, rubber grommet into (No. 1) 26462-104/704, header chassis mount bracket. Use soap and water mixture to lubricate grommet to ease installation.

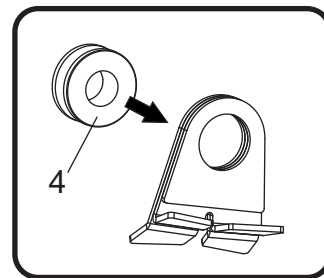


2. Install (No. 11) ALS-043, aluminum spacers into (No. 4) Z1023, rubber grommet as shown.

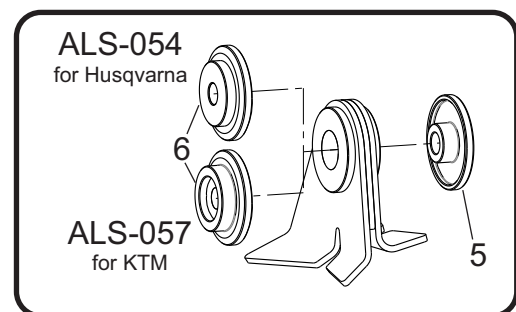
Note: ALS-043 spacers have 8mm hole to be used with the header chassis mount bolt. ALS-046 spacers have a 6mm hole used for the muffler mount bolts.



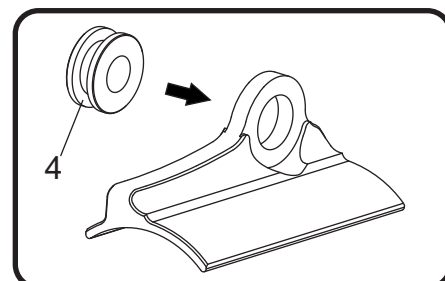
3. Install (No. 1) 26462-104/704, header onto stock flange and secure using the stock header springs. Align header chassis mount bracket to chassis and secure using the stock header chassis mount bolt. Do not torque at this time.
4. Install (No. 4) Z1023, rubber grommet into muffler resonator bracket.



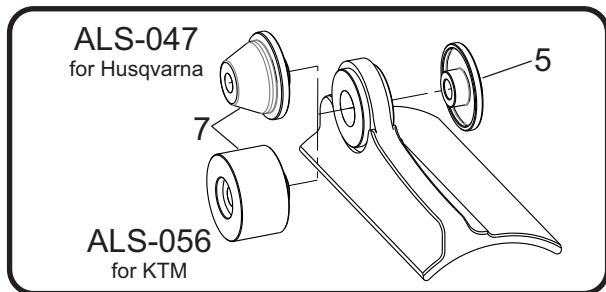
5. Install (No. 5) ALS-046, aluminum spacer in the front side of (No. 4) Z1023, rubber grommet and install (No. 6) ALS-054 for Husqvarna OR ALS-057 for KTM, aluminum spacer in the back side of (No. 4) Z1023, rubber grommet as shown below.



6. Install (No. 4) Z1023, rubber grommet into muffler bracket.

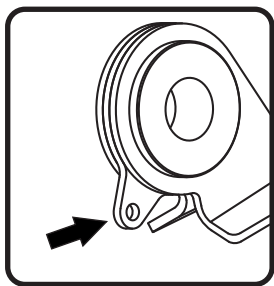


7. Install (No. 7) ALS-047 for Husqvarna OR ALS-056 for KTM, aluminum spacer in the backside of (No. 4) Z1023, rubber grommet and install (No. 5) ALS-046, aluminum spacer in the frontside as shown below.



8. Install (No. 2) 26462-144/744, tailpipe outlet into (No. 3) muffer inlet.
9. Install *muffer/tailpipe assembly*, into (No. 1) 26462-104/704, header outlet. Align muffer bracket and muffer resonator bracket to subframe and secure using (No. 8,9) 6mm bolts as shown in the assembly diagram.
10. Torque muffer mount bolts to factory specification.
11. Torque header chassis mount bolt to factory specification.
12. Install (No. 10) RACE-SPS-1, medium exhaust spring between muffer and tailpipe.
13. Install (No. 10) RACE-SPS-1, medium exhaust spring between header and tailpipe.

Note: Hook spring onto header chassis mount.



14. For Husqvarna FC450, it is required to trim the right side panel to clear the rear muffer mount spacers. Mark and mask side panel as shown and trim using a rotary tool. Using a file, file edges smooth and re-install side panel.



15. Before starting vehicle, check for proper clearance between new exhaust system and rear suspension (i.e. tire, swingarm, brakes, rear shock, and etc.) If any problem is found, please carefully follow through the installation steps again. If problem still persists, please call Yoshimura Tech Department at (800) 634-9166 / in CA (909) 628-4722.

16. It is recommended that the muffer and tailpipe be wiped down with rubbing alcohol to remove oil and fingerprints. This will help prevent tarnishing of the finish after the exhaust is heated up.

Note: After starting motorcycle, it is normal for new exhaust system and muffer to emit smoke until oil residue burns off.