



Auxiliary Light Mounting Bracket

LAH.08.10600
Kawasaki Versys 300x '17-

Thank you for choosing DENALI

We know you would rather be riding your bike than wrenching on it, so we go the extra mile to make sure our instructions are clear and as easy to understand as possible. If you have any questions, comments, or suggestions don't hesitate to give our gear experts a call at 401.360.2550 or visit WWW.DENALIELECTRONICS.COM

Please Read Before Installing

DENALI products should always be installed by a qualified motorcycle technician. If you are unsure of your ability to properly install a product, please have the product installed by your local motorcycle dealer. DENALI takes no responsibility for damages caused by improper installation. **Caution:** When installing electronics it is extremely important to pay close attention to how wires are routed, especially when mounting products to the front fender, front forks, or fairing of your motorcycle. Always be sure to turn the handlebars fully left, fully right, and fully compress the suspension to ensure the wires will not bind and have enough slack for your motorcycle to operate properly.

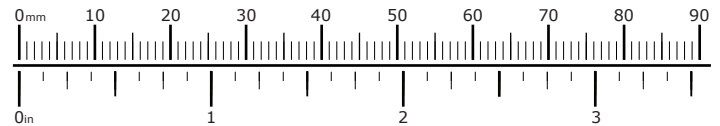
Installation Tips

We strongly recommend using medium strength liquid thread locker on all screws, nuts, and bolts. It is also important to ensure that all hardware is tightened to the proper torque specifications as listed in your owner's manual. For included accessory hardware please refer to the default torque specifications provided below. Inspect all hardware after the first 30 miles to ensure proper torque specifications are maintained.

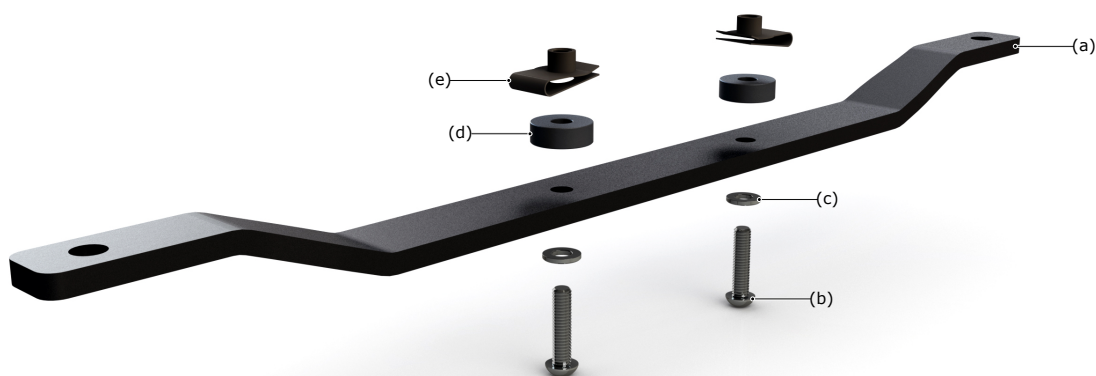
Bolt Size	in-lbs	ft-lbs	Nm
M3	10.0 in-lbs	-	1.0 Nm
M4	23.0 in-lbs	-	2.5 Nm
M5	44.5 in-lbs	3.5 ft-lbs	5.0 Nm
M6	78.0 in-lbs	6.5 ft-lbs	9.0 Nm
M8	-	13.5 ft-lbs	18.0 Nm
M10	-	30.0 ft-lbs	41.0 Nm
M12	-	52.0 ft-lbs	71.0 Nm

Hardware Sizing Guide

Not sure what size bolt you have? Use this ruler to measure screws, bolts, spacers, etc. Remember, the length of a screw or bolt is measured from the start of the "mounting surface" to the end of the screw, so only include the screw head when measuring countersunk screws.



What's In The Box?

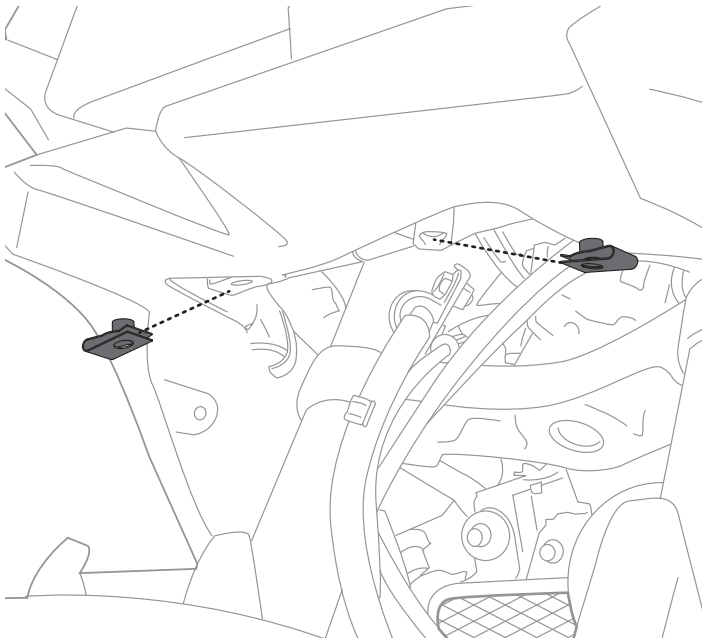


Kit Contents

- (a) Bracket.....Qty 1
- (b) M6x25 ISO 7380.....Qty 2
- (c) M6 Washer DIN 125.....Qty 2
- (d) Spacer, OD:19mm ID:6.5mm L:6.3mm.....Qty 2
- (e) M6 Clip Nut.....Qty 2

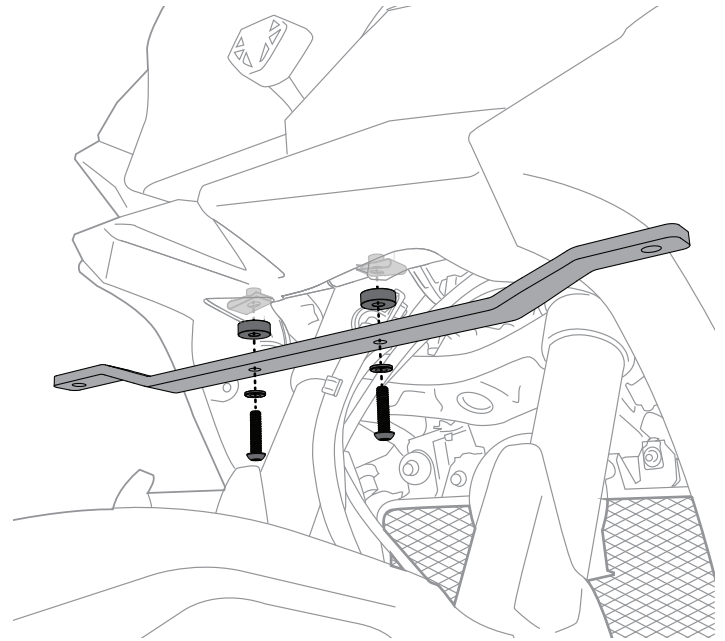
Tools Required: 4mm Allen Key

1. Installing The Bracket



1.1 - Attaching The Clip Nuts

Step One: Slide the provided clip nuts (e) over the mounting tabs located underneath the motorcycles headlight.



1.2 - Mounting The Bracket

Step Two: Use a 4mm allen key and the included M6 screw (b), washer (c) and spacer (d) to attached the bracket (a) to the previously mounted clip nuts (e).

Step Three: Before operating the motorcycle, turn the handlebars fully left, fully right and fully compress the suspension. Confirm that the lights do not interfere with operation and that the wires have enough slack to account for all suspension movement.