



# YOSHIMURA

RESEARCH&DEVELOPMENT OF AMERICA, INC.

5420 DANIELS STREET STE A, CHINO CA., 91710 · (800) 634-9166 · (909) 628-4722 · FAX (909) 591-2198

[www.yoshimura-rd.com](http://www.yoshimura-rd.com)

## RACE SERIES

Qualified Manufacturer Declared "Modified Part"

**2015~2017  
Yamaha FZ-09**

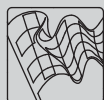
**2016~2017  
Yamaha XSR900**

**1399000221 (CF/CF)**

**1399000521 (SS/CF)**

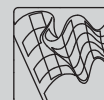
**R-77 Stainless Steel Full-System**

**FOR CLOSED COURSE COMPETITION ONLY; NOT INTENDED FOR STREET USE**



Race Series systems are:

- NOT CARB/EPA tail-pipe emissions compliant.
- NOT street legal.
- For "Closed Course Competition" use only.

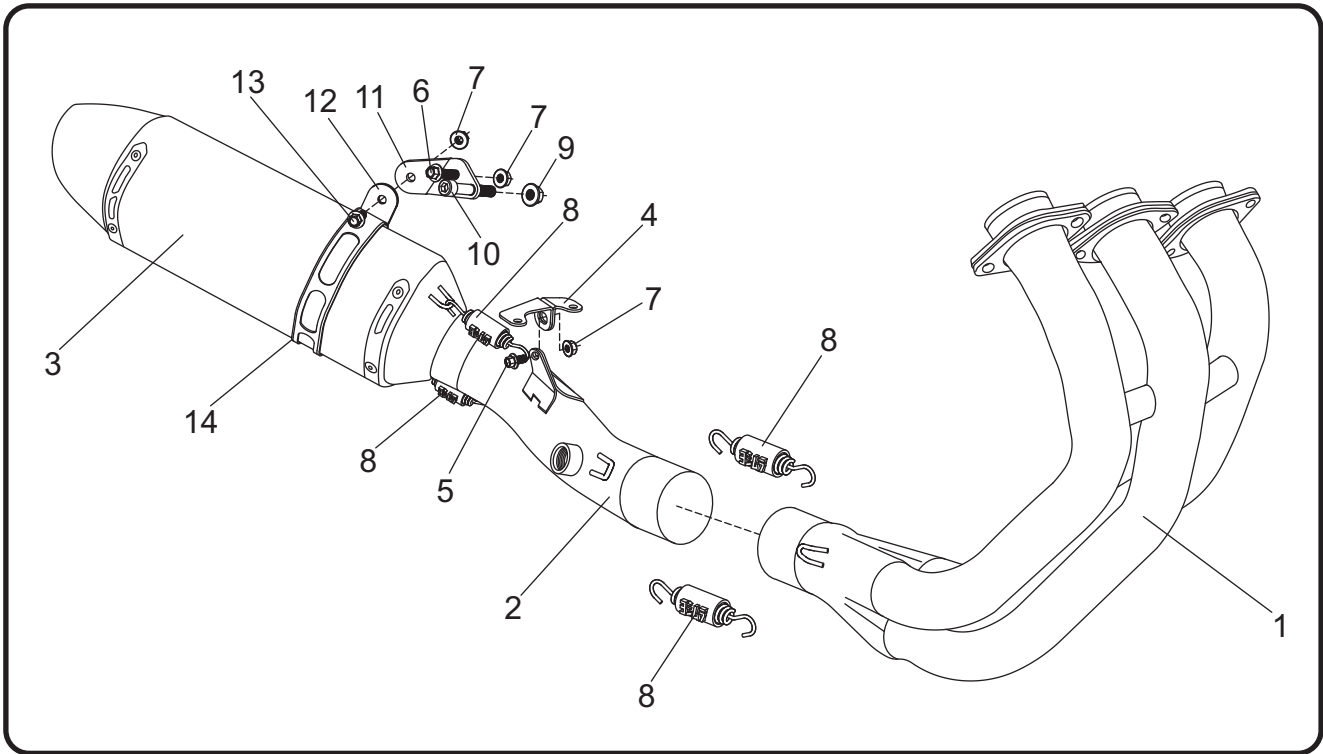


*You must know how to remove and replace your stock exhaust in order to install this product otherwise have it installed by a professional mechanic. Keep all stock parts from your existing system as some components may be necessary to install your new Yoshimura exhaust depending on the application. Read through all instructions before beginning installation. Exhaust system can be extremely hot. Let motorcycle cool down before beginning installation. Always wear hand and eye protection and take precautionary measures to avoid injury.*



NOTE: IN THE STATE OF CALIFORNIA, IT IS ILLEGAL TO MODIFY THE EMISSION CONTROL SYSTEM, WHICH INCLUDES THE CARBURETORS OF ANY VEHICLE.

## Assembly Diagram



No.	Item	Description	Qty.
1	13990-401	Yoshimura Header	1
2	13990-419-1	Yoshimura Tailpipe	1
3	CRR77116W SRR77116W	Carbon Fiber Muffler Stainless Steel Muffler	1
4	13990-TPBKT	Tailpipe Bracket	1
5	M8X16H	8mm x 16mm Flanged Hex Head Bolt	1
6	M8X40H	8mm x 40mm Flanged Hex Head Bolt	1
7	8MMNUT	8mm Flange Nut	3
8	RACE-SPS-1	Medium Spring	4
9	10MMFNUT	10mm Flange Nut	1
10	M10X40	10mm x 40mm Socket Head Cap Screw	1
11	13990-CHSBKT	Chassis Mount Bracket	1
12	1121-MPCR(X)	Muffer Clamp	1
13	M8X20H	8mm x 20mm Flanged Hex Head Bolt	1
14	HT SHLDR77	Muffer Clamp Heatshield	1
**	INS-04-K	Low Volume Insert	1
**	ST-200	Spring Puller Tool	1
**	17029	Sticker Kit Sheet	1

\*\* Not shown in diagram.  
(X) For use with Stainless Steel muffler sleeve.

## Removal

1. Remove O2 sensor from the stock header.
2. Remove left and right muffler chassis mount bolt.
3. While securely supporting the muffler, remove the header nuts and carefully remove the stock muffler/header assembly.

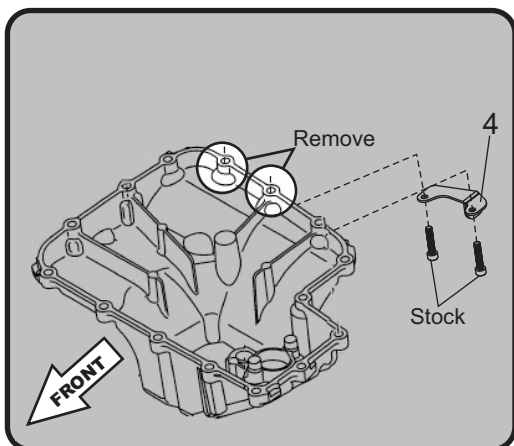
Note: Exhaust port gaskets will be re-used with the Yoshimura exhaust system. Inspect and replace if necessary.

4. Remove the stock spacer and rubber grommet from the left side chassis mount as it will not be used with the Yoshimura exhaust system.

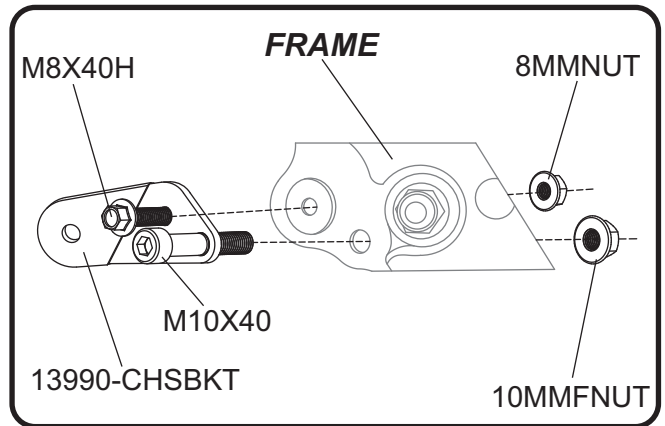
Note: Remove only the left side grommet and spacer. Right side grommet and spacer will be re-used with the Yoshimura exhaust system.

## Installation

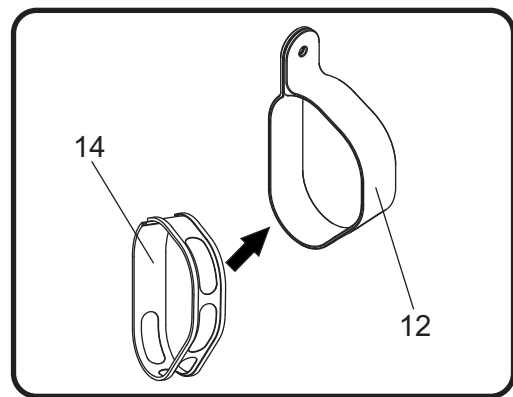
1. Install (No. 1) 13990-401, Yoshimura header using the stock header nuts. Do not torque at this time.
2. Remove the two right-rear oil pan bolts and install (No. 4) 13990-TPBKT, tailpipe bracket using the stock oil pan bolts. See assembly diagram for proper orientation of tailpipe bracket.



3. Install (No. 11) 13990-CHSBKT, chassis mount bracket onto frame using the hardware provided in the kit. See diagram for proper orientation and order of hardware.



4. Install (No. 14) HT SHLDR77, muffler clamp heatshield onto (No. 12) 1121-MPCR(X), muffler clamp.



5. Slide (No. 12) 1121-MPCR(X), muffler clamp over (No. 3) Yoshimura muffler.
6. Install muffler/tailpipe assembly onto (No.1) 13990-401, Yoshimura header and secure muffler to (No. 11) 13990-CHSBKT, chassis mount bracket using (No. 13) M8X20H, bolt and (No. 7) 8MMNUT. See diagram for proper orientation.
7. Secure (No. 2) 13990-419, Yoshimura tailpipe to (No. 4) 13990-TPBKT, tailpipe bracket using (No. 5) M8X16H, bolt and (No. 7) 8MMNUT, nut as shown in the assembly diagram.

Note: The tailpipe mounts to the outside of (No. 4) 13990-TPBKT, tailpipe bracket.

8. Re-install the stock O2 sensor into (No. 2) 13990-419, Yoshimura tailpipe.
9. Install (No. 8) RACE-SPS-1, medium springs onto tailpipe and header connection using the ST-200, spring puller tool provided in the kit.
10. Torque muffler mount bolt and tailpipe mount bolt to 20Nm (2.0 kg-m, 14 ft-lb).

11. Torque header nuts to 20Nm (2.0 kg-m, 14 ft-lb).
12. Before starting vehicle, check for proper clearance between new exhaust system and rear suspension (i.e. tire, swingarm, brakes, rear shock, and etc.) If any problem is found, please carefully follow through the installation steps again. If problem still persists, please call Yoshimura Tech Department at (800) 634-9166 / in CA (909) 628-4722.
13. It is recommended that the muffler and tailpipe be wiped down with rubbing alcohol to remove oil and fingerprints. This will help prevent tarnishing of the finish after the exhaust is heated up.

Note: After starting vehicle, it is normal for new exhaust system and muffler to emit smoke until oil residue burns off.