



YOSHIMURA

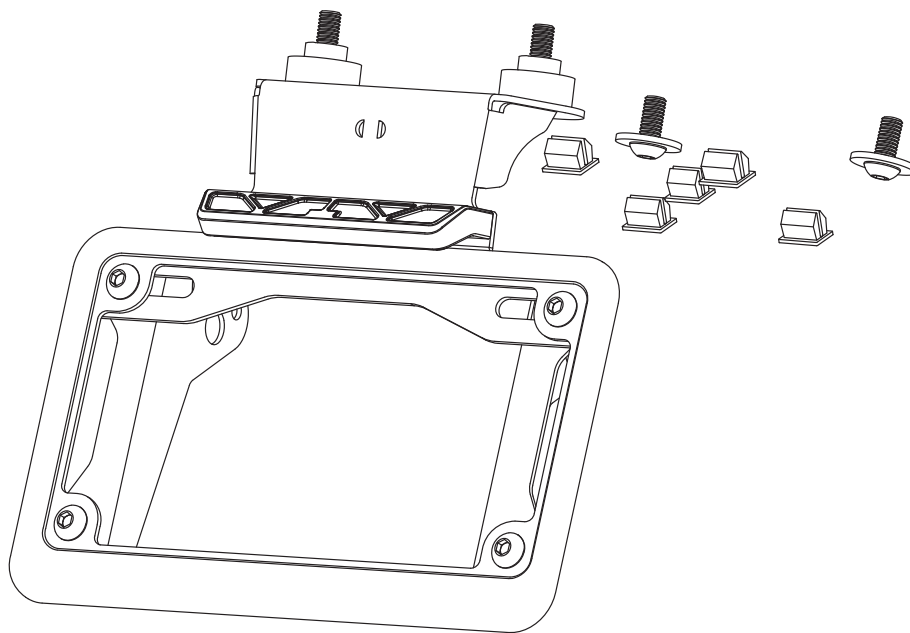
RESEARCH&DEVELOPMENT OF AMERICA, INC.

5420 DANIELS STREET STE A, CHINO CA., 91710 · (800) 634-9166 · (909) 628-4722 · FAX (909) 591-2198

www.yoshimura-rd.com

FENDER ELIMINATOR KIT

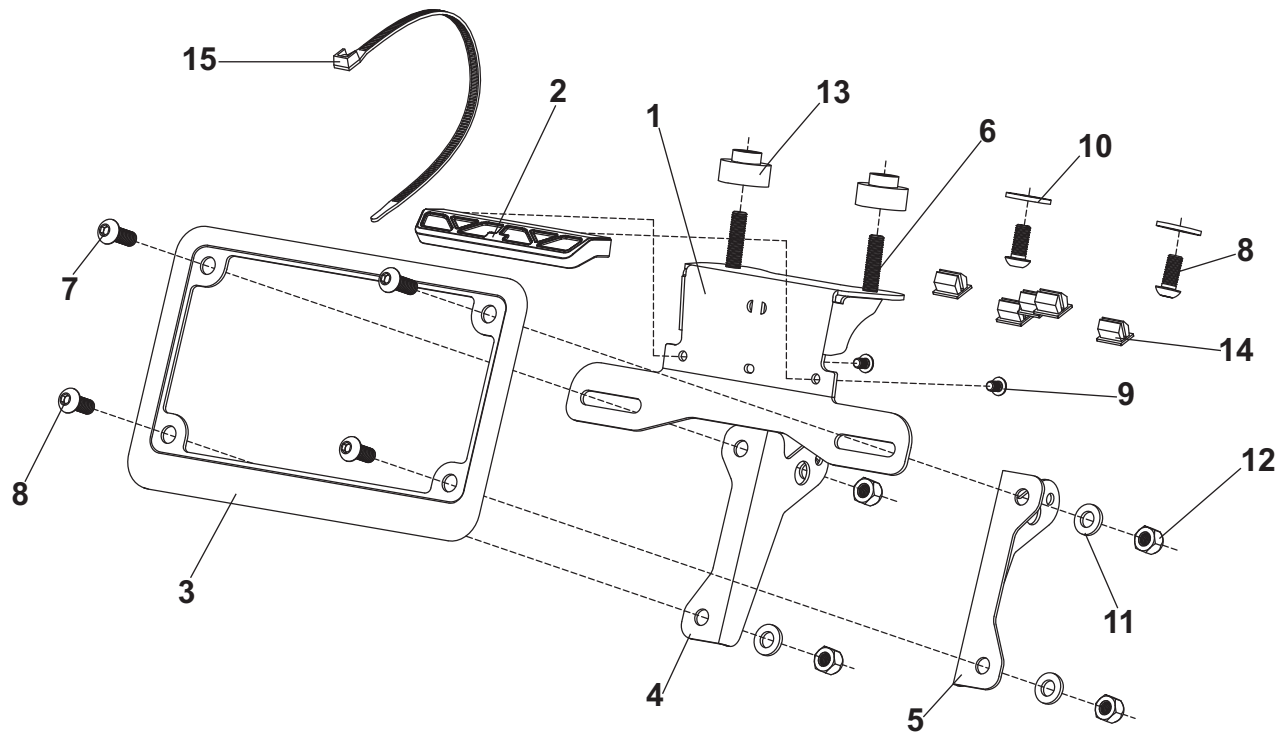
070BG163700
KTM 390 Adventure



THIS PRODUCT IS NOT DOT APPROVED.
Yoshimura R&D of America, Inc. is not liable or responsible for any resulting event caused by the installation of this product. Check with local laws and regulations for compliance prior to installation and use. This product is not intended for use on public highways.



Assembly Diagram



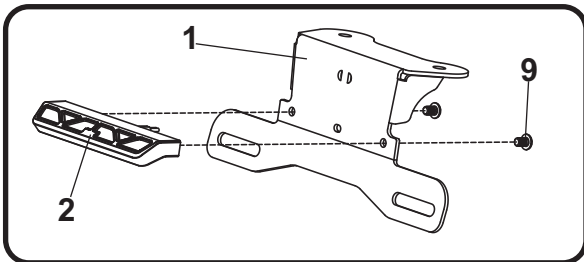
No.	Item	Description	Qty.
1	16370-FEBKT	Fender Eliminator Bracket	1
2	070BG-LH-K1	Yoshimura LED Light	1
3	070BG-LPF	License Plate Frame	1
4	16370-TSBKT-L	Left Turn Signal Bracket	1
5	16370-TSBKT-R	Right Turn Signal Bracket	1
6	M6X25BHS	6mm x 25mm Button Head Screw	2
7	M6X16BHS	6mm x 16mm Button Head Screw	2
8	M6X14BHS	6mm x 14mm Button Head Screw	4
9	M4X6BHS	4mm x 6mm Button Head Screw	2
10	6MMWASHERL	6mm Large Washer	2
11	6MMWASHER	6mm Washer	4
12	6MMLN	6mm Nylon Lock Nut	4
13	16370-FEBKT-SPR	Fender Eliminator Bracket Spacer	2
14	16370-FE-CLP	Fender Eliminator Clips, 5pc	5
15	ZT-400	Cable Tie	1
**	17100	Yoshimura Sticker Kit	1
**	BN-SSS-22-18	Solder Shrink Connectors	2
Optional Parts			
<i>070BGUNVTBKT</i>		<i>Universal Turn Signal Bracket Kit</i>	
<i>072BGLTSFK</i>		<i>Yoshimura LED Turn Signal Kit</i>	
<i>072BGLTSFK-S</i>		<i>Yoshimura Sequential LED Turn Signal Kit</i>	

Removal

1. Remove rider and passenger seat.
2. Remove passenger grab rails and remove upper rear cowl.
3. Locate and disconnect license plate light and turn signal connectors.
4. While securely supporting the stock fender assembly, remove the four bolts securing the fender assembly to the subframe. Carefully remove the stock fender assembly making sure not to damage the connectors in the process.
5. Disassemble the stock fender assembly and remove the left and right turn signals.

Installation

1. Install (No. 5) *070BG-LH-K*, Yoshimura license plate light onto (No. 3) *12200-FEBKT*, Yoshimura fender eliminator bracket using (No. 11) *M4X6BHS*, 4mm button head screws provided in the kit.



2. Connect the Yoshimura license plate light wires to the accessory wires under the passenger seat as follows:

Red -to- Yellow w/ Gray Stripe
Black -to- Black w/ Yellow Stripe
or

Red -to- Blue w/ Red Stripe
Black -to- Black w/ Yellow Stripe

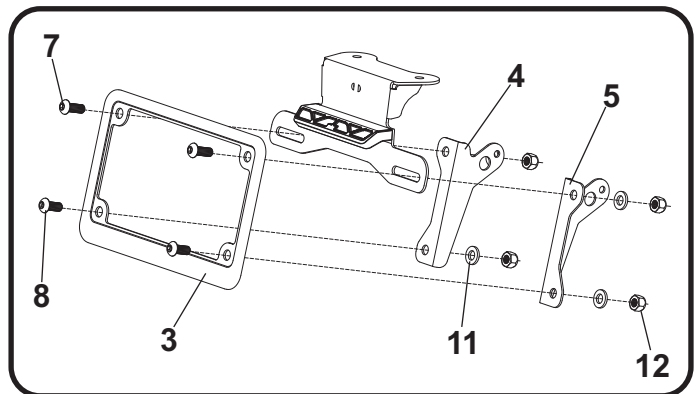
- a) Strip the stock fender light wire ends 1/4" - 1/2" and insert into *BN-SSS-22-18*, solder shrink connectors provided in the kit.
- b) Center the spliced wire ends in the middle and using a heatgun or lighter, apply heat evenly on the outer edges of the solder shrink connector to shrink and hold wires in place.
- c) Making sure that the stripped ends are centered, heat the center of the solder shrink connector evenly until the solder begins to liquify.

- d) Allow to cool completely and tug both ends of the wires to verify that connection is secured.

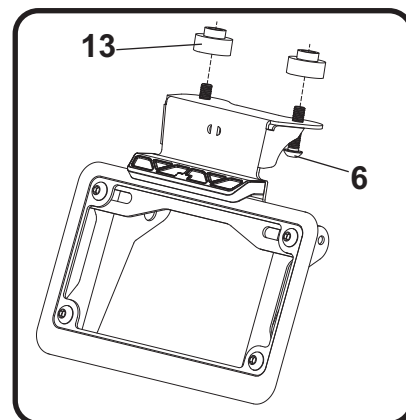
Scan for link to solder shrink connector instruction video.



3. Install left and right turn signals onto (No. 4,5) *16370-TSBKT-L/R*, turn signal brackets.
4. Assemble and install (No. 3) *070BG-LPF*, license plate frame and (No. 4,5) *16370-TSBKT-L/R*, left and right turn signal brackets using (No. 7,8) *M6X16BHS* and *M6X14BHS*, 6mm screws and (No. 11,12) *6MMWASHER*, 6mm washers and *6MMLN*, 6mm nylon lock nut as shown.

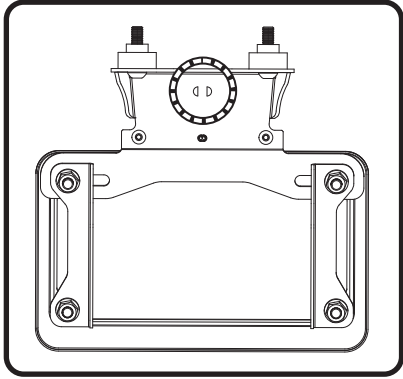


5. Install (No. 1) *16370-FEBKT*, fender eliminator bracket to subframe using (No. 6) *M6X25BHS*, 6mm screws and (No. 13) *16370-FEBKT-SPR*, fender eliminator bracket spacers as shown.

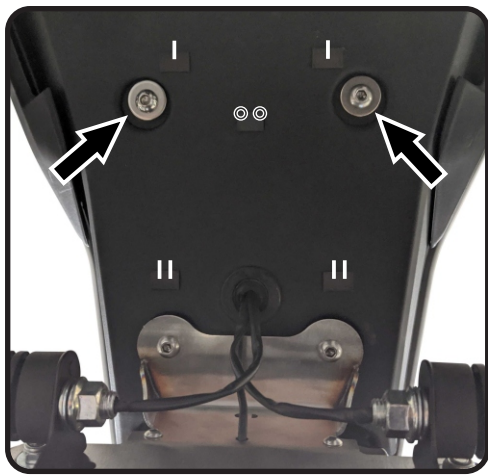


6. Route license plate light and turn signal wires through undertail and re-connect license plate light and turn signal wires.

7. Use supplied cable tie to secure wires to the backside of the fender eliminator bracket.

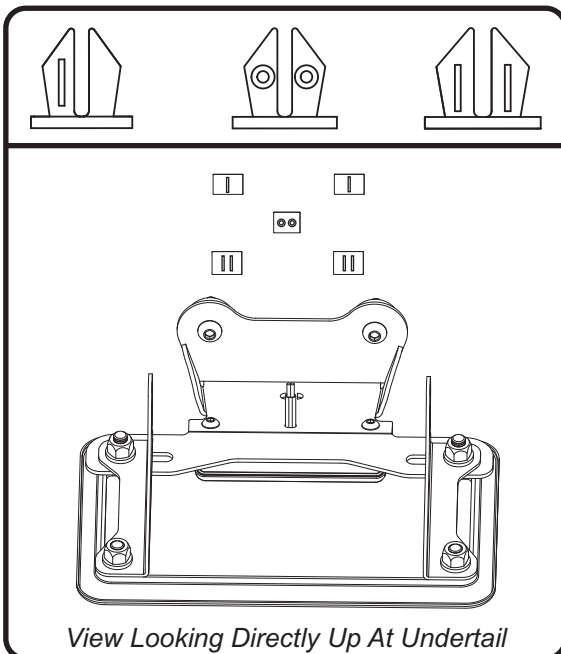


8. Install (No. 8) M6X14BHS, 6mm screws and (No. 10) 6MMWASHERL, 6mm large washers to cover stock fender mounting holes.



9. Install 16370-FEBKT-SPR, fender eliminator clips to cover rectangle holes in undertail.

Note: There are 3 variations of clips and must be installed in the correct locations.



9. Check for proper function of license plate light and turn signals and that all brackets and components are secure prior to riding.