



# YOSHIMURA

RESEARCH&DEVELOPMENT OF AMERICA, INC.

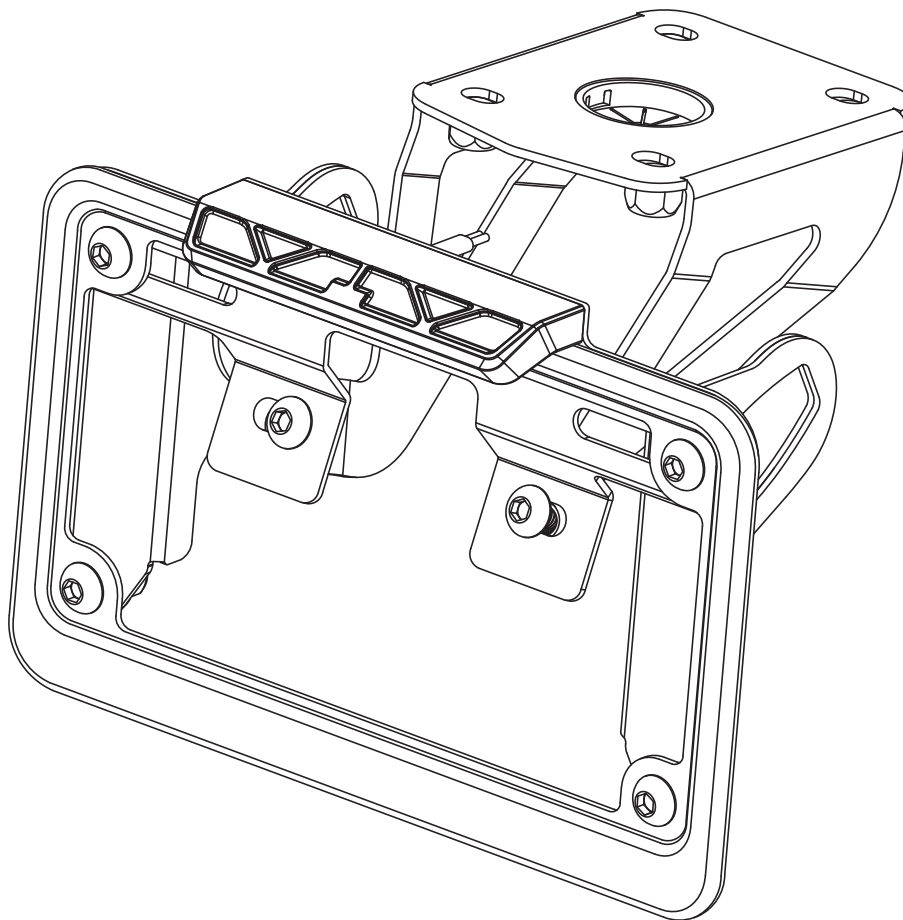
5420 DANIELS STREET STE A, CHINO CA., 91710 · (800)634-9166 · (909)628-4722 · FACSIMILE (909)591-2198

[www.yoshimura-rd.com](http://www.yoshimura-rd.com)

## **FENDER ELIMINATOR KIT**

**070BG146512**

**Kawasaki Ninja 650 / Z650**

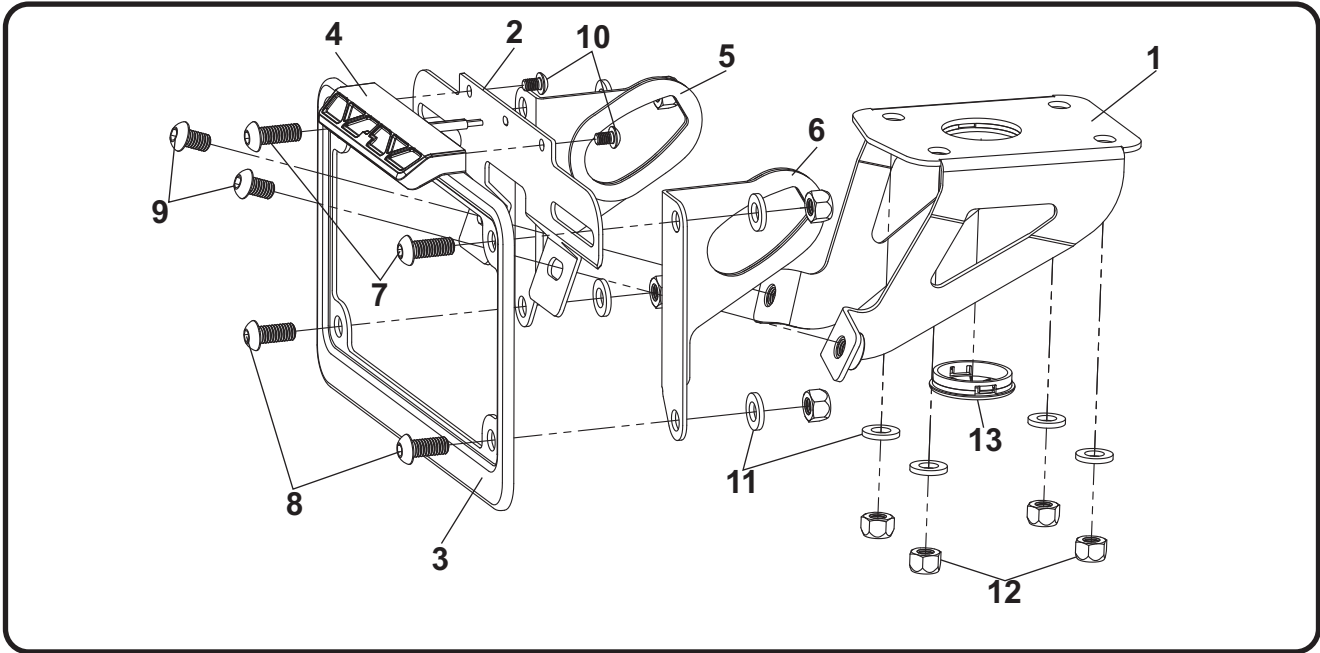


**THIS PRODUCT IS NOT DOT APPROVED.**

Yoshimura R&D of America, Inc. is not liable or responsible for any resulting event caused by the installation of this product. Check with local laws and regulations for compliance prior to installation and use. This product is not intended for use on public highways.



## Assembly Diagram



No.	Item	Description	Qty.
1	14651-FEBKT	Fender Eliminator Bracket	1
2	12200-FEBKT	License Plate Bracket	1
3	070BG-LPF	License Plate Frame	1
4	070BG-LH-K1	Yoshimura License Plate Light	1
5	14200-TSL	Left Turn Signal Bracket	1
6	14200-TSR	Right Turn Signal Bracket	1
7	M6X16BHS	6mm x 16mm Button Head Screw	2
8	M6X14BHS	6mm x 14mm Button Head Screw	2
9	M6X10BHS	6mm x 10mm Button Head Screw	2
10	M4X6BHS	4mm x 6mm Button Head Screw	2
11	6MMWASHER	6mm Flat Washer	8
12	6MMLN	6mm Nylon Lock Nut	8
13	H-2158	Debris Cover	
**	BN-SSS-22-18	Solder Shrink Connectors	2
**	ZT-300	Cable Ties	3
**	17100	Yoshimura Sticker Sheet	1
<b>Optional Parts</b>			
***	070BGUNVTBKT	Universal Turn Signal Bracket Kit	

\*\* Not shown on diagram.

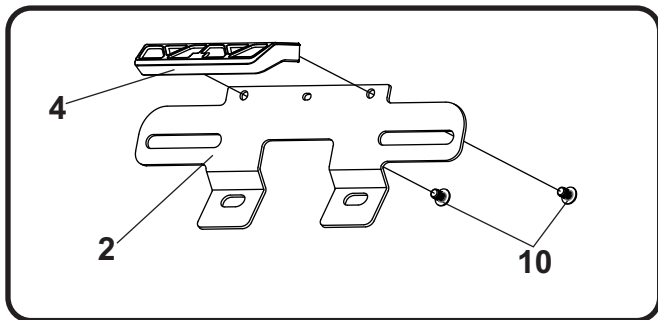
\*\*\* The Yoshimura Universal Turn Signal Bracket Kit is to be used with aftermarket stud-mounted turn signals and is sold separately.

## Removal

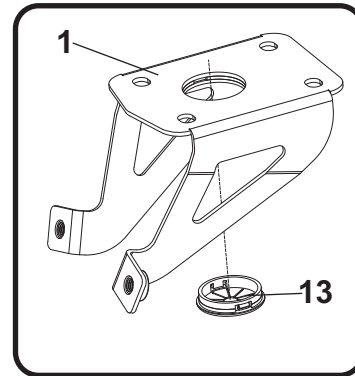
1. Remove rider and passenger seat.
2. Remove left and right rear seat covers.
3. Locate and disconnect left and right turn signal connectors and license plate light connector.
4. Remove the (4) bolts securing fender assembly to chassis.
5. Carefully pull down the stock fender assembly enough to access the (1) phillips head tapping screw securing fender assembly to undertail.
6. Remove tapping screw and carefully remove the stock fender assembly making sure not to damage turn signal and license plate light connectors.
7. Disassemble and remove left and right turn signals from the stock fender assembly.
8. Cut the stock license plate light connector from the stock fender assembly. Be sure to cut at least a 6" section of wire from the connector.

## Installation

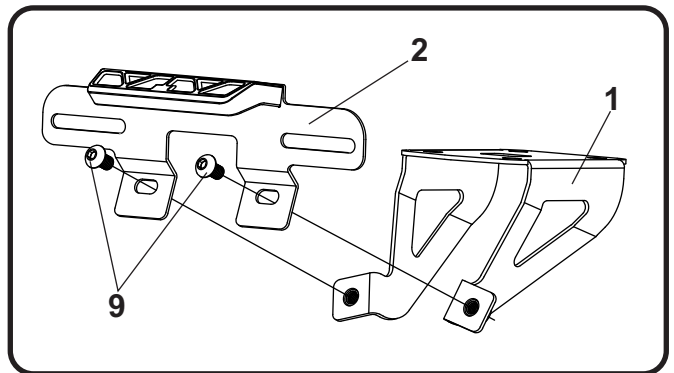
1. Install stock turn signals onto (No. 5,6) *14200-TSL/R*, left and right turn signal brackets using the stock hardware.
2. Install (No. 4) *070BG-LH-K1*, Yoshimura license plate light onto (No. 2) *12200-FEBKT*, license plate bracket using (No. 10) *M4X6BHS*, 4mm button head screws provided in the kit.



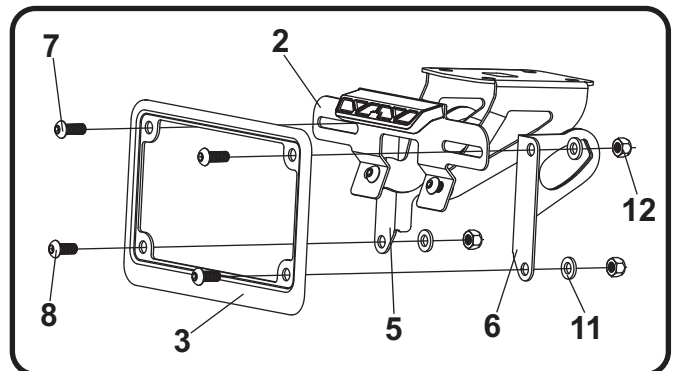
3. Install (No.13) *H-2158*, debris cover onto (No.1) *14651-FEBKT*, fender eliminator bracket. Align the tabs on the debris cover with the tabs on the fender eliminator for a secure fit.



4. Install (No. 2) *12200-FEBKT*, license plate bracket onto (No. 1) *14651-FEBKT*, fender eliminator bracket using (No. 9) *M6X10BHS*, 6mm button head screws.



5. Assemble and install (No. 3) *070BG-LPF*, license plate frame and (No. 5,6) *14200-TSL/R*, left and right turn signal brackets onto (No. 2) *12200-FEBKT*, license plate bracket as shown.



- Using the *BN-SSS-22-18* butt connectors provided in the kit, connect the Yoshimura license plate light wires to the stock license plate light wires as follows:

Black w/ Yellow Stripe -to- Black

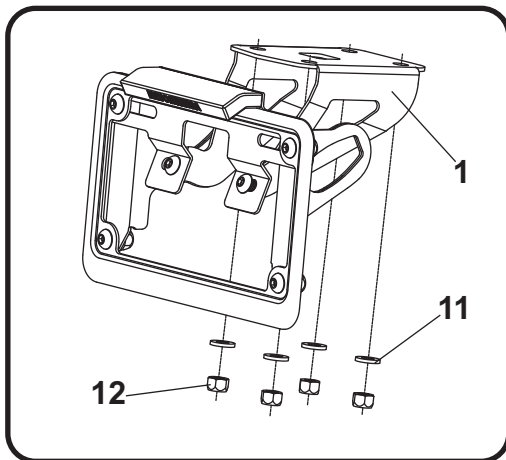
Red -to- Red

- Strip the stock fender light wire ends 1/4" - 1/2" and insert into *BN-SSS-22-18*, butt connectors provided in the kit.
- Center the spliced wire ends in the middle and using a heatgun or lighter, apply heat evenly on the outer edges of the butt connector to shrink and hold wires in place.
- Making sure that the stripped ends are centered, heat the center of the butt connector evenly until the solder begins to liquify.
- Allow to cool completely and tug both ends of the wires to verify that connection is secured.

Scan for link to butt connector instruction video.



- Route license plate light wire and turn signal wires through the hole in bracket and through lower undertail. Secure (No. 1) *14651-FEBKT*, to chassis using the (4) stock fender mounting bolts and supplied (No. 11,12) *6MMWASHER*, 6mm washer and *6MMLN*, 6mm nylon lock nuts as shown.



- Route stock license plate light and turn signal connectors through (No.13) *H-2158*, debris cover. Re-connect the stock license plate light and turn signal connectors. Secure wires using supplied cable ties.
- Re-install left and right rear seat covers using the opposite steps of removal.
- Re-install passenger and rider seat.
- Check for proper function of license plate light and turn signals and that all brackets and components are secure prior to riding.