



YOSHIMURA

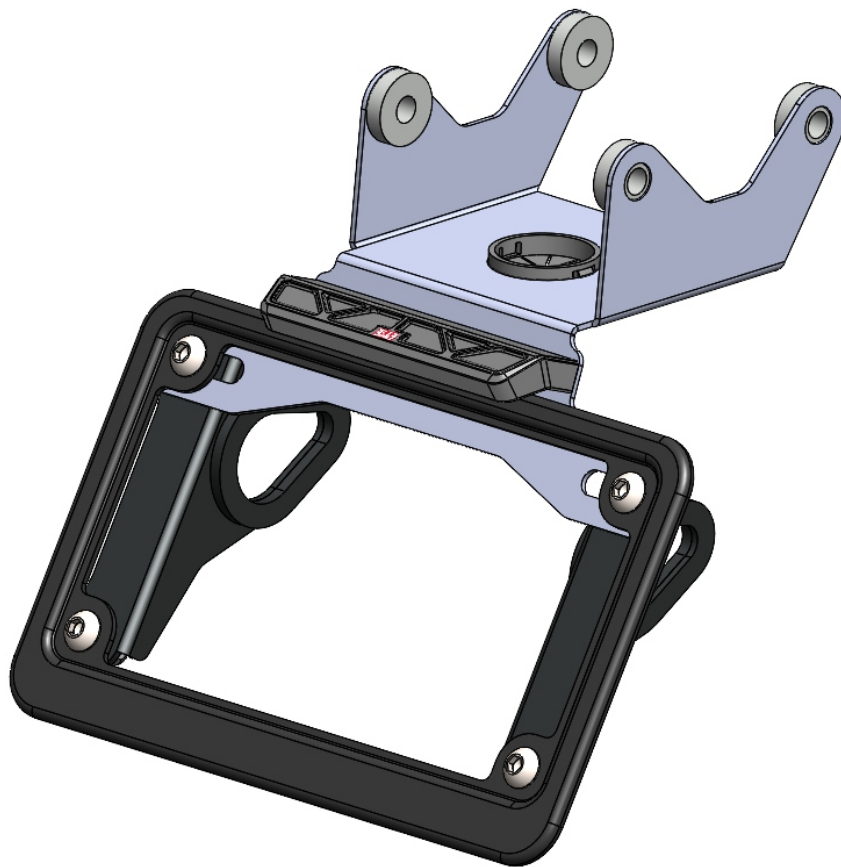
RESEARCH&DEVELOPMENT OF AMERICA, INC.

5420 DANIELS STREET STE A, CHINO CA., 91710 · (800) 634-9166 · (909) 628-4722 · FAX (909) 591-2198

www.yoshimura-rd.com

FENDER ELIMINATOR KIT

070BG139930
Yamaha MT-09



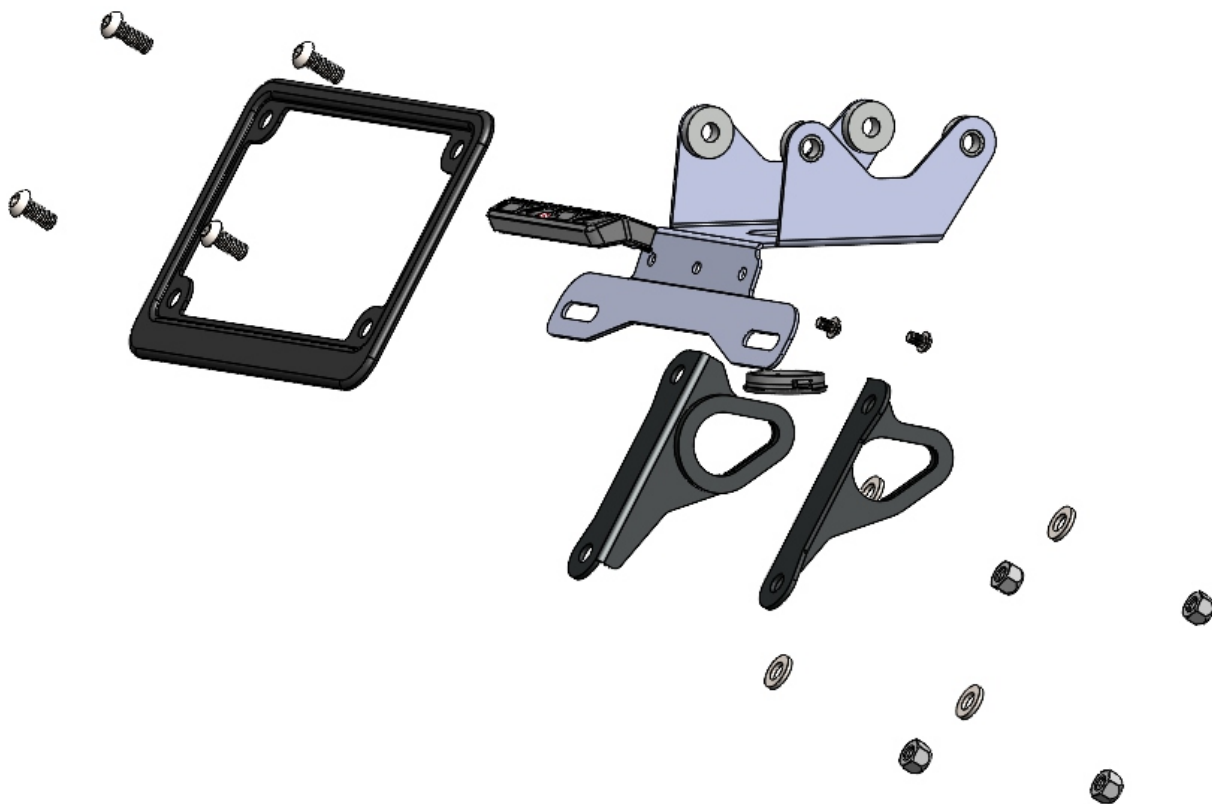
THIS PRODUCT IS NOT DOT APPROVED.

Yoshimura R&D of America, Inc. is not liable or responsible for any resulting event caused by the installation of this product. Check with local laws and regulations for compliance prior to installation and use. This product is not intended for use on public highways.



<p>x1</p>  <p>13993-FEBKT Fender Eliminator Bracket</p>	<p>x1</p>  <p>070BG-LPF License Plate Frame</p>	<p>x1</p>  <p>070BG-LH-K1 License Plate Light</p>	<p>x1</p>  <p>H-2158 Dust Grommet</p>
<p>x1</p>  <p>13992-TSB-R Right Turn Signal Bracket</p>	<p>x1</p>  <p>13992-TSB-L Left Turn Signal Bracket</p>	<p>x2</p>  <p>M6X16BHS 6mm x 16mm Button Head Screw</p>	<p>x2</p>  <p>M6X14BHS 6mm x 14mm Button Head Screw</p>
<p>x2</p>  <p>M4X6BHS 4mm x 6mm Button Head Screw</p>	<p>x2</p>  <p>BN-SSS-22-18 Solder Shrink Connector</p>	<p>x4</p>  <p>6MMWASHER 6mm Washer</p>	<p>x4</p>  <p>6MMLN 6mm Lock Nut</p>

Assembly Diagram



Removal

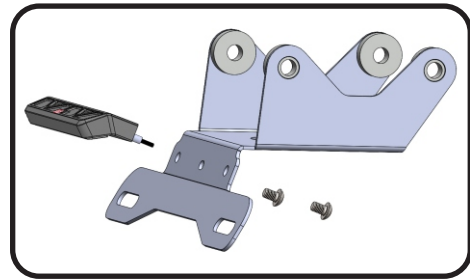
1. Remove both the rider and passenger seat.
2. Remove the tail's side fairings to gain access to the fender and wire connectors.
3. Locate and disconnect license plate light and rear turn signal connectors.
4. While supporting the stock fender assembly, remove the four fender bolts and carefully remove the fender assembly making sure not to damage turn signal connectors.

Note: Retain the four fender bolts as they will be re-used.

5. Disassemble and remove left and right turn signals from the stock fender assembly as turn signals will be re-used.
6. Cut the stock license plate light connector wires on the stock fender assembly side. Be sure to cut at least a 6" section of wire from the connector.

Installation

1. Install *070BG-LH-K1*, license plate light onto *13993-FEBKT*, fender eliminator bracket using *M4X6BHS*, 4mm button head screws.



2. Using the *BN-SSS-22-18*, solder shrink connectors provided in the kit, connect the Yoshimura license plate light wires to the stock license plate light wires as follows:

Brown w/ Red Stripe (Harness) -to- Red Wire
Black (Harness) -to- Black Wire

- a) Strip the stock fender light wire ends 1/4" - 1/2" and insert into *BN-SSS-22-18*, solder shrink connector provided in the kit.
- b) Center the spliced wire ends in the middle and using a heatgun or lighter, apply heat evenly on the outer edges of the solder shrink connector to shrink and hold wires in place.
- c) Making sure that the stripped ends are centered, heat the center of the solder shrink connector evenly until the solder begins to liquify.
- d) Allow to cool completely and tug both ends of the wires to verify that connection is secured.

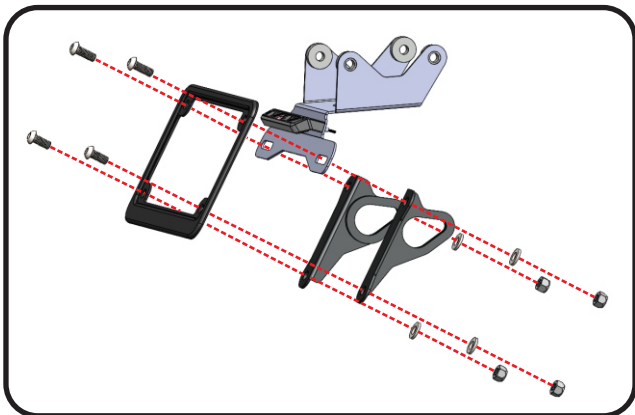
Scan for link to solder shrink connector instruction video.



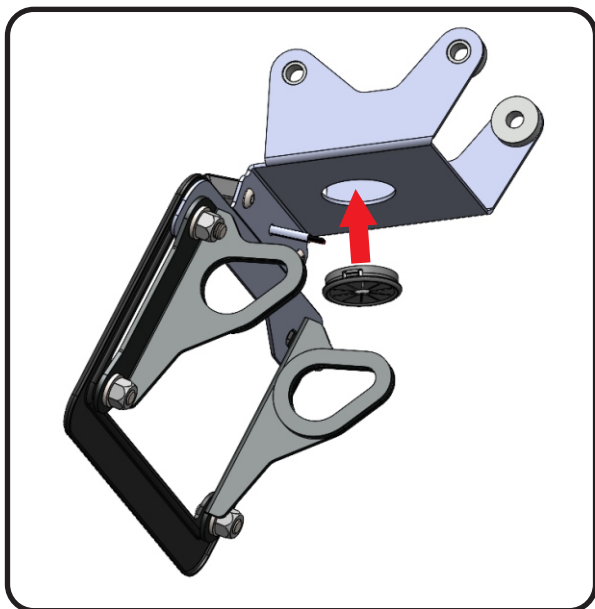
3. Install the stock turn signals onto *13992-TSB-L/R*, left and right turn signal brackets using the stock hardware.

4. Install *13992-TSB-L/R*, turn signal brackets and *070BG-LPF*, license plate frame using the *M6X16BHS* and *M6X14BHS*, 6mm button head screws. Secure using *6MMWASHER* and *6MMLN*, washers and nuts as shown below.

Note: The *M6X16BHS* screws go in the top two holes of the license plate frame. The *M6X14BHS* screws go in the bottom two holes.



5. Install *13993-FEBKT*, Fender Eliminator Bracket in the stock fender's mounting location using the four fender bolts. Torque to factory specifications.
6. Install *H-2158*, Dust Grommet into the Fender Eliminator Bracket and route license plate light and turn signal wires through the grommet.



7. Reconnect the turn signal and license plate light connectors to the wiring harness.
8. Reinstall the tail's side fairings using reverse steps of removal.
9. Reinstall both the rider and passenger seat.
10. Check for proper function of license plate light, turn signals, brake light, and that all brackets and components are secure prior to riding.