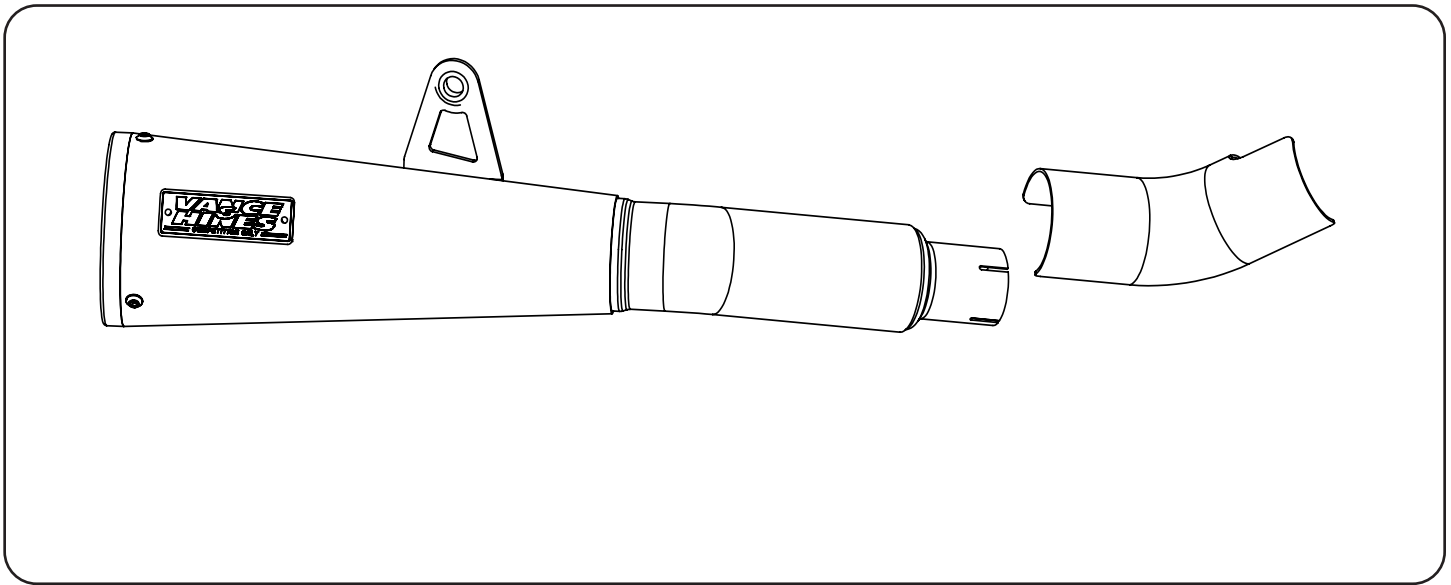


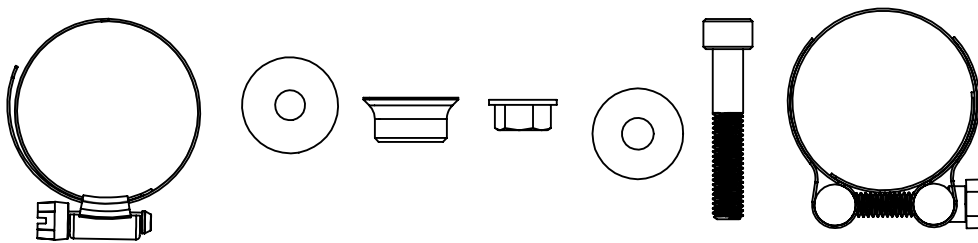
Congratulations, you have purchased the finest exhaust system available for your motorcycle. Your Vance & Hines exhaust is designed and crafted for performance, quality, and style. Please follow the instructions below, check exhaust system for missing or damaged parts and if you need any assistance please contact our technical support line (562) 921-7461.

Fits 2021 Honda Rebel 1100*

*Qualified Manufacturer Declared Replacement Part for 2021 Honda Rebel 1100.



HARDWARE



PARTS LIST

ITEM NO.	PART NO.	DESCRIPTION	QTY.
1	H695RP-S	HON REBEL 1100 MUFFLER W/BADGE	1
2	H695HP	MID PIPE HEAT SHIELD	1
3	A328HW	BLK 1.81-1.99IN BARREL BAND CL	1
4	A268HW	1.00-2.00 SS HOSE CLAMP	1
5	A746ST-P	FRONT SPACER BLACK	1
6	A138HW	M8 X 1.25 - 35MM SHCS ZINC	1
7	A942HW	M8 OVERSIZED WASHER	1
8	A790ST-P	BRACKET STAND OFF	1
9	A852HW	M8X1.25 FLANGE NUT	1

TOOLS REQUIRED



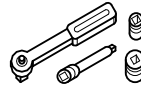
12mm combination wrench



4mm Allen wrench



6mm Allen wrench



12mm socket



10mm socket

3/8" Drive Ratchet

STOCK SYSTEM REMOVAL

1. Loosen the clamp at the front of the muffler.
2. Remove the bolt that attaches the muffler to the stock mounting bracket.
3. Remove the muffler assembly from the vehicle and remove the stock gasket from the head pipe.

VANCE & HINES SYSTEM INSTALLATION

1. Install A790ST-P onto muffler as show. (Fig.1)
2. Slide provided barrel clamp over new V&H muffler, slip muffler onto stock mid-pipe. (Leave clamp loose). Make sure that barrel clamp bolt is accessible from bottom.
3. Line up muffler bracket to bike mount and install supplied M8x1.25 screw and flange nut finger tight
4. Tighten M8 muffler bracket mounting bolt to nut
5. Align muffler and rotate barrel clamp to be as out of sight as possible, align with leading edge of muffler and tighten.
6. Install hose clamp (item 4) onto heat shield
7. Install heat shield onto muffler mid pipe and tighten hose clamp.
8. Be sure all hardware is tight. Before starting the motorcycle, completely clean tail pipes and mufflers with warm soapy water and a clean soft cloth that will not leave residue. Dry with a clean towel. NOTE: Any residue, oil, or fingerprints will stain the finish when the exhaust system heats up. Do NOT use anything abrasive to clean black mufflers as it may remove the finish.

EXHAUST CARE (BLACK)

1. When installing a new set of black pipes, make sure your hands are clean and free from oil. After installation, thoroughly clean pipes with warm soapy water and a soft cloth. Dry with a clean towel to remove any residue before starting the motorcycle. Do NOT use anything abrasive to clean pipes.
2. Avoid long periods of idling as this can cause discoloration.
3. Intake leaks can cause the engine to run lean and overheat, this could lead to discoloration.
4. Make sure there are no exhaust leaks at the junction of the exhaust pipes and the cylinder head. We recommend replacing gaskets if they are worn.

FIGURE 1

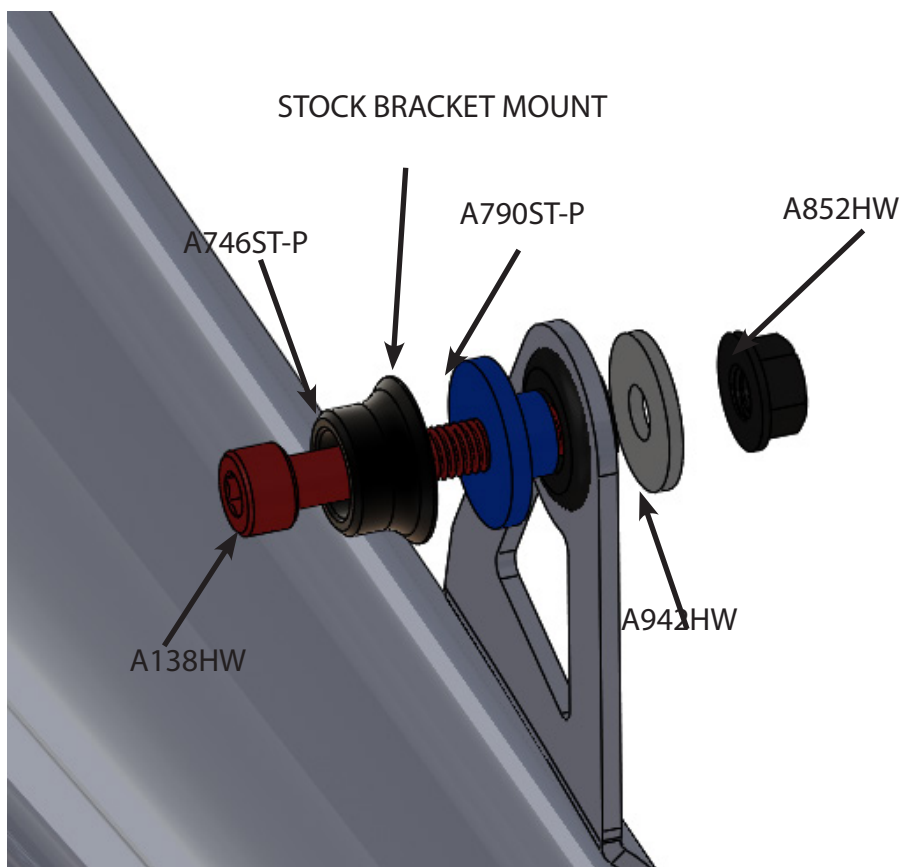


FIGURE 2



Emissions Notice:

In California, in order to meet Air Resources Board emissions requirements, certain aftermarket part applications have been identified as replacements, and others have received ARB Executive Orders. All other emissions related aftermarket parts are for competition use only. A list of replacement parts and EO parts, and corresponding fitment is provided at vanceandhines.com/California.

Warranty:

All Vance & Hines products are warranted against defects in material and workmanship for a period of 90 days. This warranty does not cover discoloration or rust. This warranty shall be limited to the repair or replacement of the product, which may be proven defective under normal use. Vance & Hines will not warranty any system that has been abused, misused, improperly installed or modified.

Dealers or distributors are not authorized to make dispositions binding upon Vance & Hines. Vance & Hines will not be responsible for any labor charges incurred in removing or replacing any system under warranty. A return authorization number and a copy of the original purchase invoice must accompany all returns. Parts returned without a return authorization may be refused.

13861 ROSECRANS AVENUE / SANTA FE SPRINGS, CA 90670
SALES: (562) 921-5388
TECHNICAL: (562) 926-5291
FAX: (562) 802-0110

vanceandhines
.com