

Congratulations, you have purchased the finest exhaust system available for your motorcycle. Your Vance & Hines exhaust is designed and crafted for performance, quality, and style. Please follow the instructions below, check exhaust system for missing or damaged parts and if you need any assistance please contact our technical support line (562) 921-7461.

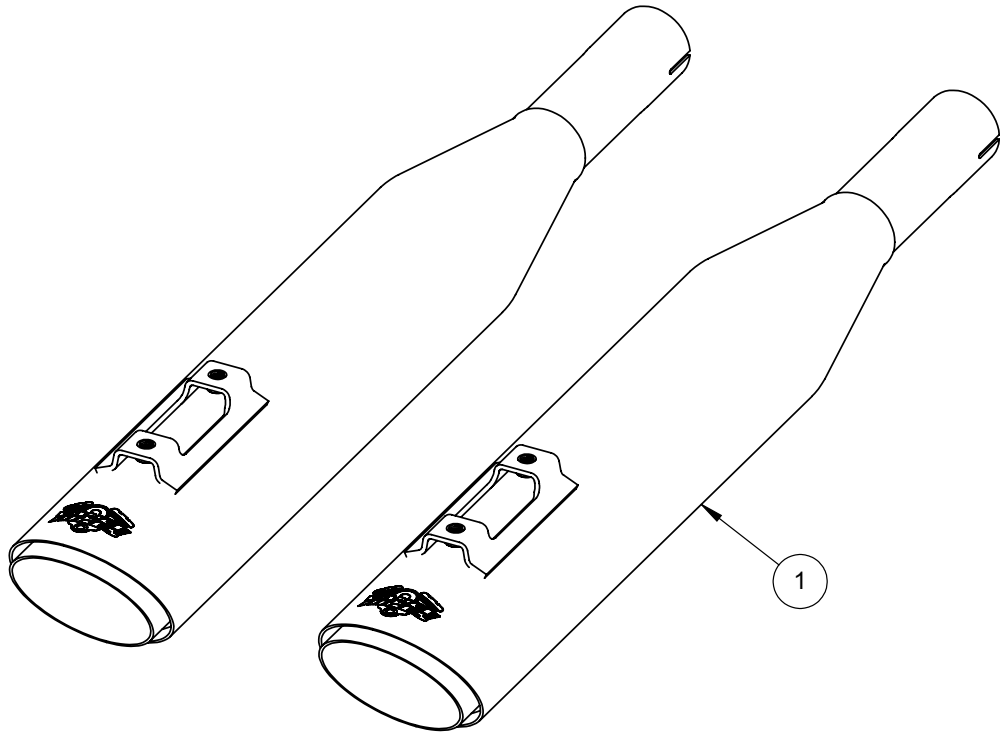
Fits 2017 Harley-Davidson Touring Models*

FOR CLOSED COURSE COMPETITION USE ONLY. NOT INTENDED FOR STREET USE.

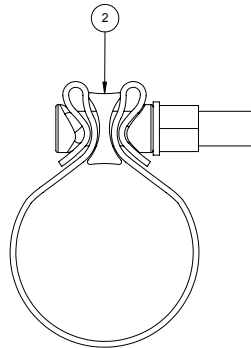
*Qualified Manufacturer Declared Replacement Part for 2017 Harley Davidson Touring Models.

PARTS LIST

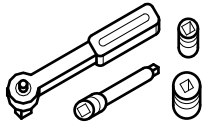
ITEM NO.	PART NO.	DESCRIPTION	QTY.
1	D668RC	MUFFLER	2
2	A335HW	TORCA BAND CLAMP	2



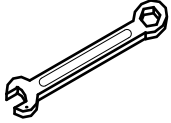
HARDWARE



TOOLS REQUIRED



3/8" Drive Ratchet with 4" extension
1/2" & 9/16" Deep Sockets



1/2" & 9/16" Combination Wrenches

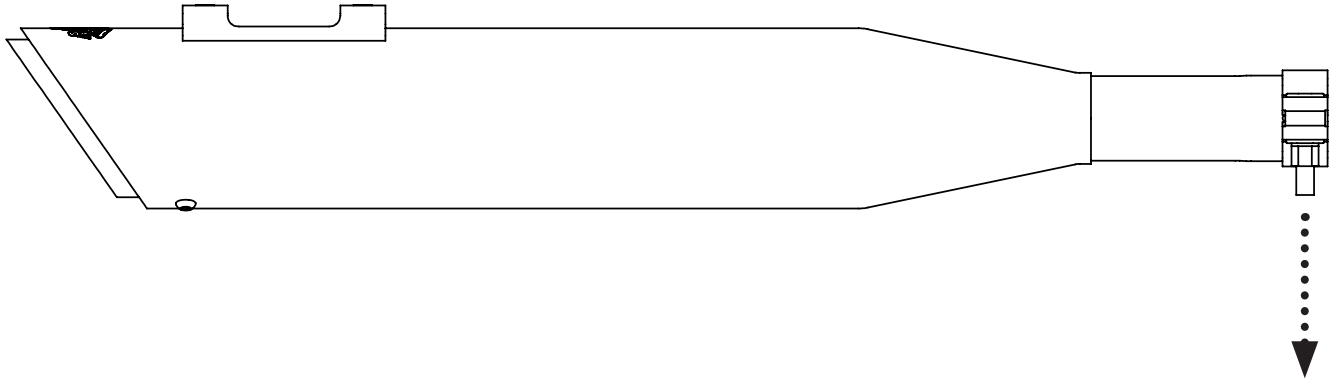
STOCK EXHAUST SYSTEM REMOVAL

1. Loosen the bolt from the pinch clamp on the front end of each muffler.
2. Working with one muffler at a time, support the muffler (assistance may be required) while removing the 5/16" bolts securing the mufflers to the stock muffler hanger brackets. Save bolts for reuse.
3. Remove the stock mufflers by sliding them back off the stock headers. **NOTE:** It may be necessary to use a penetrating lubricant to loosen the muffler from the head pipe.

VANCE & HINES EXHAUST INSTALLATION

1. Install the Torca band clamps (supplied) over the front of each muffler so that the bolt is to the inside and the nut is facing down (**Figure 1**). **NOTE:** New band clamps are supplied, do not use old band clamps.
2. Install the mufflers by sliding them onto the head pipes.
3. Using the 5/16" bolts removed earlier, attach the mufflers to support brackets on the trike, do not tighten at this time.
4. Align mufflers and tighten hardware, beginning with the 5/16" flange bolts on the mounting brackets as followed by the band clamp. Tighten 5/16" bolts to factory specs, and the band clamp to 40-45 Ft./Lbs.
6. After installation and before starting motorcycle, completely clean pipes and mufflers with cleaning solvent and a clean, soft cloth that will not leave a residue. **NOTE:** Any residue, oil, or fingerprints will stain the chrome when the metal heats up.
7. Be sure to tighten all hardware before starting your motorcycle.

FIGURE 1



EXHAUST CARE

1. When installing a new set of chrome pipes, make sure your hands are clean and free of oil. After installation, thoroughly clean pipes with a soft cloth and cleaning solvent that will leave no residue (chrome wax / polish, glass cleaner, alcohol, ammonia, etc...) before starting the motorcycle. Dry with a clean towel to remove any residue before starting the motorcycle.
2. Avoid long periods of idling as this can cause discoloration.
3. Intake leaks can cause the engine to run lean and overheat, this could lead to discoloration.
4. Make sure there are no exhaust leaks at the junction of the exhaust pipes and the cylinder head. We recommend replacing gaskets if they are worn.

Emissions Notice:

In California, in order to meet Air Resources Board emissions requirements, certain aftermarket part applications have been identified as replacements, and others have received ARB Executive Orders. All other emissions related aftermarket parts are for competition use only. A list of replacement parts and EO parts, and corresponding fitment is provided at vanceandhines.com/California.

Warranty:

All Vance & Hines products are warranted against defects in material and workmanship for a period of 90 days. This warranty does not cover discoloration or rust. This warranty shall be limited to the repair or replacement of the product, which may be proven defective under normal use. Vance & Hines will not warranty any system that has been abused, misused, improperly installed or modified.

Dealers or distributors are not authorized to make dispositions binding upon Vance & Hines. Vance & Hines will not be responsible for any labor charges incurred in removing or replacing any system under warranty. A return authorization number and a copy of the original purchase invoice must accompany all returns. Parts returned without a return authorization may be refused.

13861 ROSECRANS AVENUE / SANTA FE SPRINGS, CA 90670
SALES: (562) 921-5388
TECHNICAL: (562) 926-5291
FAX: (562) 802-0110

vanceandhines
.com