

Item number: **GPT.07.975.19000/B**

Revision: **00** · Date: **11 - 2023**

ADVENTURE-RACK

 ~ 1 h.

EASY      DIFFICULT

ENGLISH Thank you for choosing this premium product from SW-MOTECH. Visit our online shop for more information (e.g. model assignments). Required documents (e.g. national type approval) are available there for you to download.

Please read and understand all the instructions, safety information and warnings in these mounting instructions before mounting and using the product in order to avoid injury and damage. Keep these mounting instructions for reference.

This product was developed for vehicles in factory condition. Compatibility with original accessories or accessories from other manufacturers cannot be guaranteed.

These mounting instructions have been prepared to the best of our current knowledge. No legal claims relating to accuracy can be made. Errors and omissions excepted. We reserve the right to make technical and design changes. The copyright is held by SW-MOTECH.

SAFETY WARNING SYMBOL

 This warning symbol is used in these mounting instructions to warn of deadly dangers, injuries or other hazards. The words **DANGER**, **WARNING** or **CAUTION** are used as part of this warning symbol to convey important safety messages and information relating to the installation and use of this product. These words, together with the safety warning symbol, mean:

 **DANGER:** Indicates a hazardous situation which, if not avoided, will result in death or serious injury!

 **WARNING:** Indicates a hazardous situation which, if not avoided, may result in death or serious injury!

 **CAUTION:** Indicates a hazardous situation which, if not avoided, may result in minor or moderate injury!

 **NOTE:** Important information, but not relating to a risk of death or injury (property damage only)!

GENERAL INFORMATION

 **WARNING:** Assembly and/or maintenance of this product requires advanced technical skill, appropriate tools, and a good understanding of tool usage and torque specifications. For your own safety, SW-MOTECH recommends having the assembly and/or maintenance carried out by a qualified and certified motorcycle workshop.

 **WARNING:** If you do choose to assemble this product yourself, carefully and fully read the mounting instructions before assembly and use, and follow all instructions to avoid serious injury or death. Also observe all relevant information in the vehicle manual when mounting or using the product. IF YOU DO NOT UNDERSTAND ANY PART OF THESE MOUNTING INSTRUCTIONS OR NEED AN EXPLANATION AS TO A SPECIFIC INSTRUCTION, DO NOT ATTEMPT TO INSTALL THIS PRODUCT WITHOUT CONSULTING SW-MOTECH FOR ASSISTANCE!

PREPARATION: Read the mounting instructions carefully and make sure that all parts on the parts list are available.

 **CAUTION:** Ensure that your vehicle is standing securely. Switch off the engine and remove the ignition key. Allow the engine/exhaust to cool down if necessary. Disconnect the battery when working on the electrical system. Only use proper tools and always wear safety goggles and gloves during assembly and maintenance. Have a second person help you with assembly and maintenance.

ASSEMBLY: All parts and connections removed from the vehicle must be reinstalled according to the vehicle manufacturer's specifications or replaced with parts and hardware supplied by SW-MOTECH.

 **WARNING:** Secure all threads with a medium-strength liquid threadlocker, unless otherwise specified.

 **DANGER:** Tightening torques not defined by SW-MOTECH must be obtained from the vehicle manufacturer or a certified motorbike workshop.

FUNCTIONAL CHECK: After mounting the product, ensure that no moving parts are obstructed and that the function of the vehicle is not impeded. Cables and hoses must not rub against each other and/or be hindered in any way.

 **WARNING:** Carry out a comprehensive functionality check before you start to drive. Check the tightening torque of all connections and the tight fit of the product after the first 50 km and then at regular intervals. Mounted accessories can change the handling and stability of the vehicle.



SW-MOTECH GmbH & Co. KG
Ernteweg 7-10
35282 Rauschenberg
Germany



 info@sw-motech.com
 www.sw-motech.com



Take note of the symbols and what they mean in the ASSEMBLY section. If the term OEM appears in the ASSEMBLY section, the vehicle manufacturer's specifications must be observed and applied.



If you have any questions, please don't hesitate to contact our Customer Service team or our distributors. You can find our telephone number and a list of our distributors in our online shop:

www.sw-motech.com



Use thread locker: Indicates that a thread must be coated with liquid thread locker. H (HIGH): high strength; M (MEDIUM): medium strength; L (LOW): low strength.



Tighten/note the tightening torque information:

Indicates the tightening torque of a part specified by SW-MOTECH or the vehicle manufacturer (OEM).

PARTS LIST - READ AND KEEP MOUNTING INSTRUCTIONS!

2

1



GPT.07.975.903.01.11

1/1

2



GPT.07.975.904.01.11

1/1

3



M8 x 35; ISO 7380
SC.ST.08.035.02.7380.109

2/2

4



M8 x 40; ISO 7380
SC.ST.08.040.02.7380.109

2/2

3

5



GPT.07.975.002.11

1/1

6




M4 x 8; ISO 7380
SC.ST.04.008.02.73800.109

4/4

4


7



GPT.07.975.901.01.11

1/1

8



GPT.07.975.902.01.11

1/1

9



M8 x 25; DIN 6912
SC.ST.08.025.02.6912.088

2/2

10



ø 8,4; DIN 125
US.ST.084.02.125

2/2

11



M8 x 60; DIN 6912
SC.ST.08.060.02.6912.088

2/2

12



Ø 20 / ø 8,2 / h 3
DB.00.200.082.003.01

2/2

13



KFT.05.294.002

2/2

14



KES.RD.210.0300.02.GL

2/2

5

15



GPT.00.152.002.11

1/1

16



M6 x 20; DIN 7380
SC.ST.06.020.02.7380.109

4/4

17



ø 6,4; DIN 9021
US.ST.064.02.9021

4/4

18



M6; DIN 6927
MU.ST.06.02.6927.08

4/4

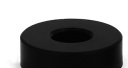
19



SBL.00.051.013.02

2/2


20



Ø 22 / ø 8,4 / h 6
DB.ST.0220.0084.0060.02

2/2

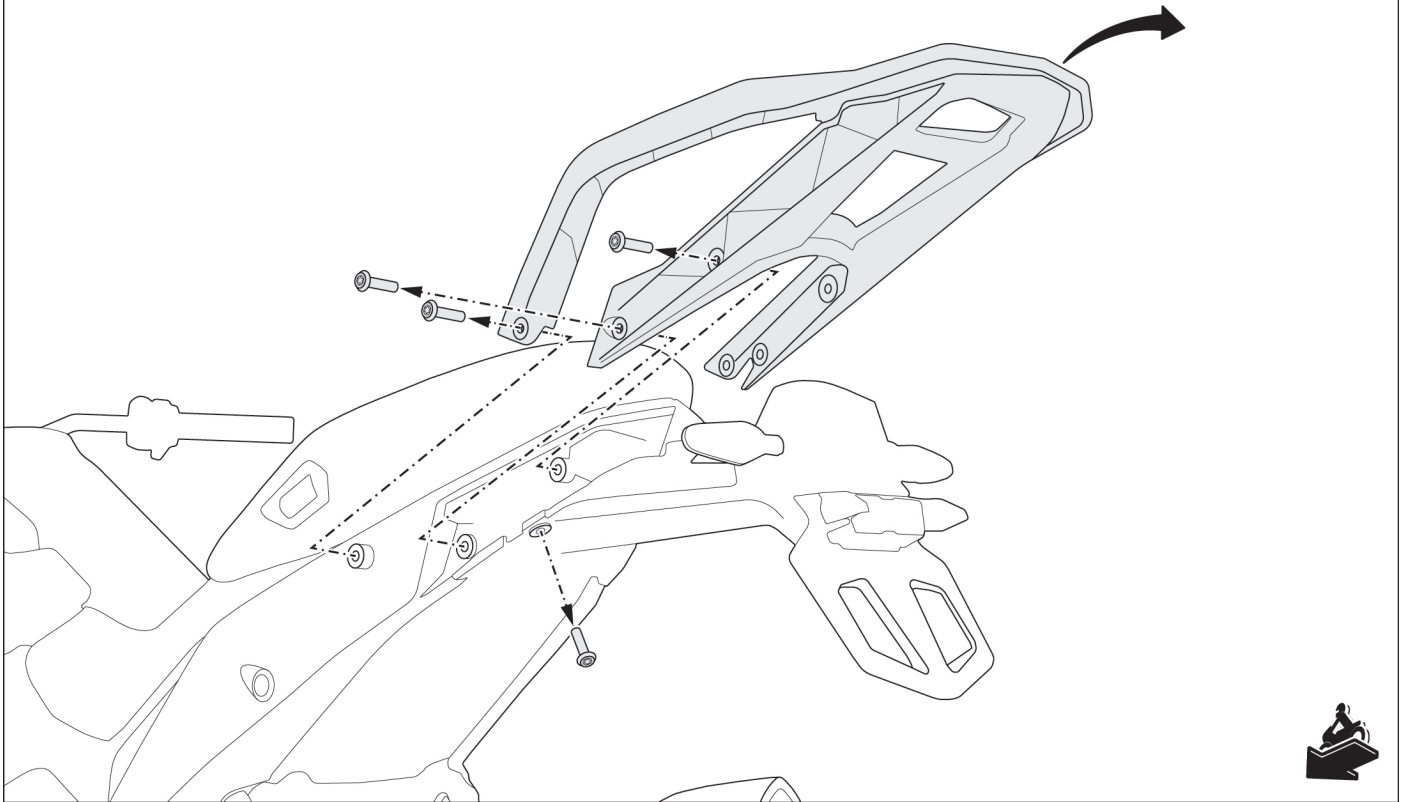
21



Ø 18 / ø 8,4 / h 15
DB.ST.0180.0084.0150.02

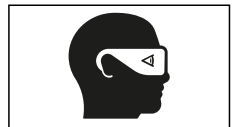
2/2

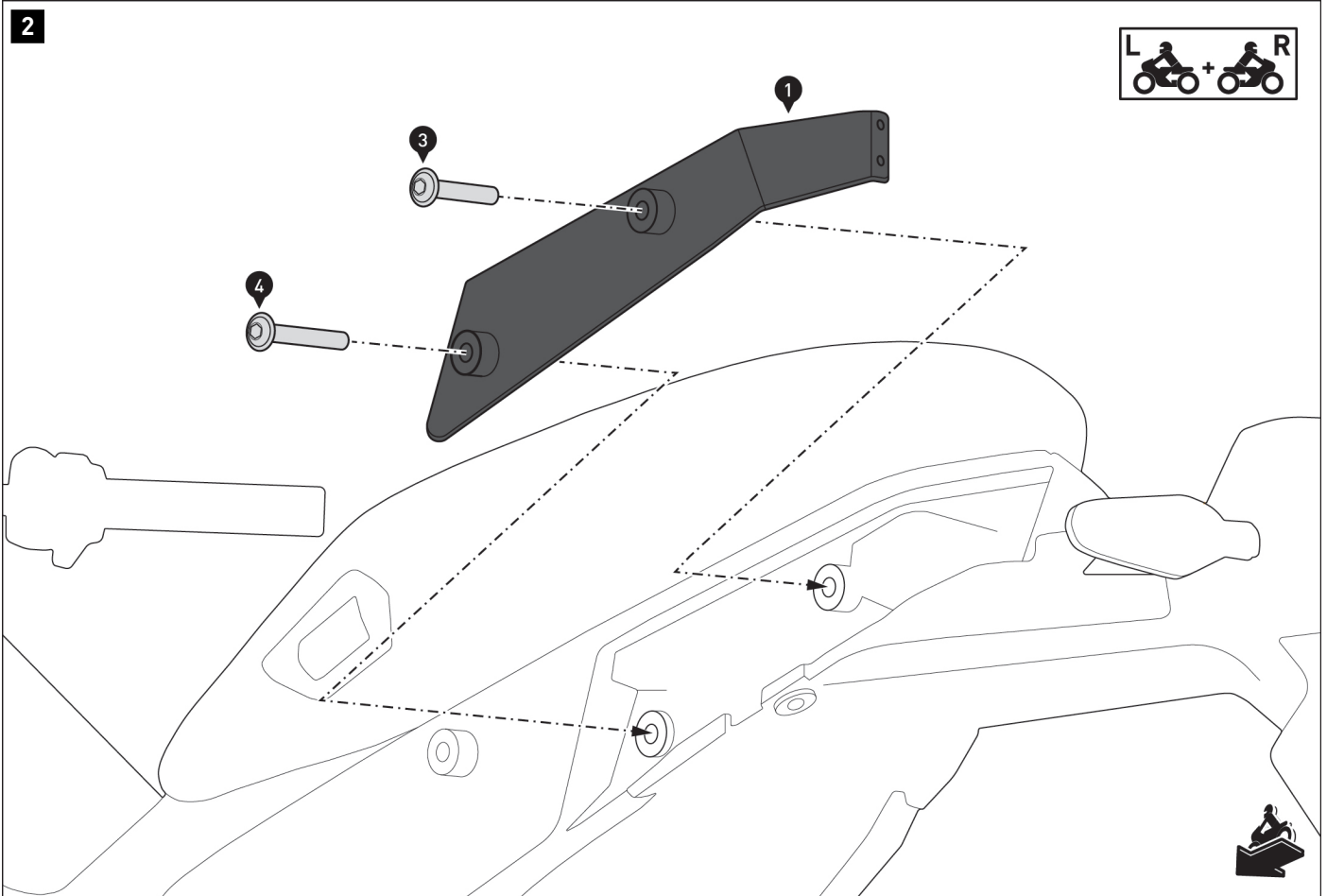
1



- ▲ **WARNING: Always wear eye and hand protection!**
- ▲ **WARNING: Always use the proper tools!**
- ▲ **NOTE: Disassembly and assembly are carried out on the same side!**

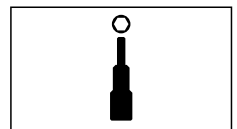
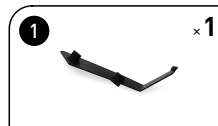
Loosen the screws on the original rack, and remove it.

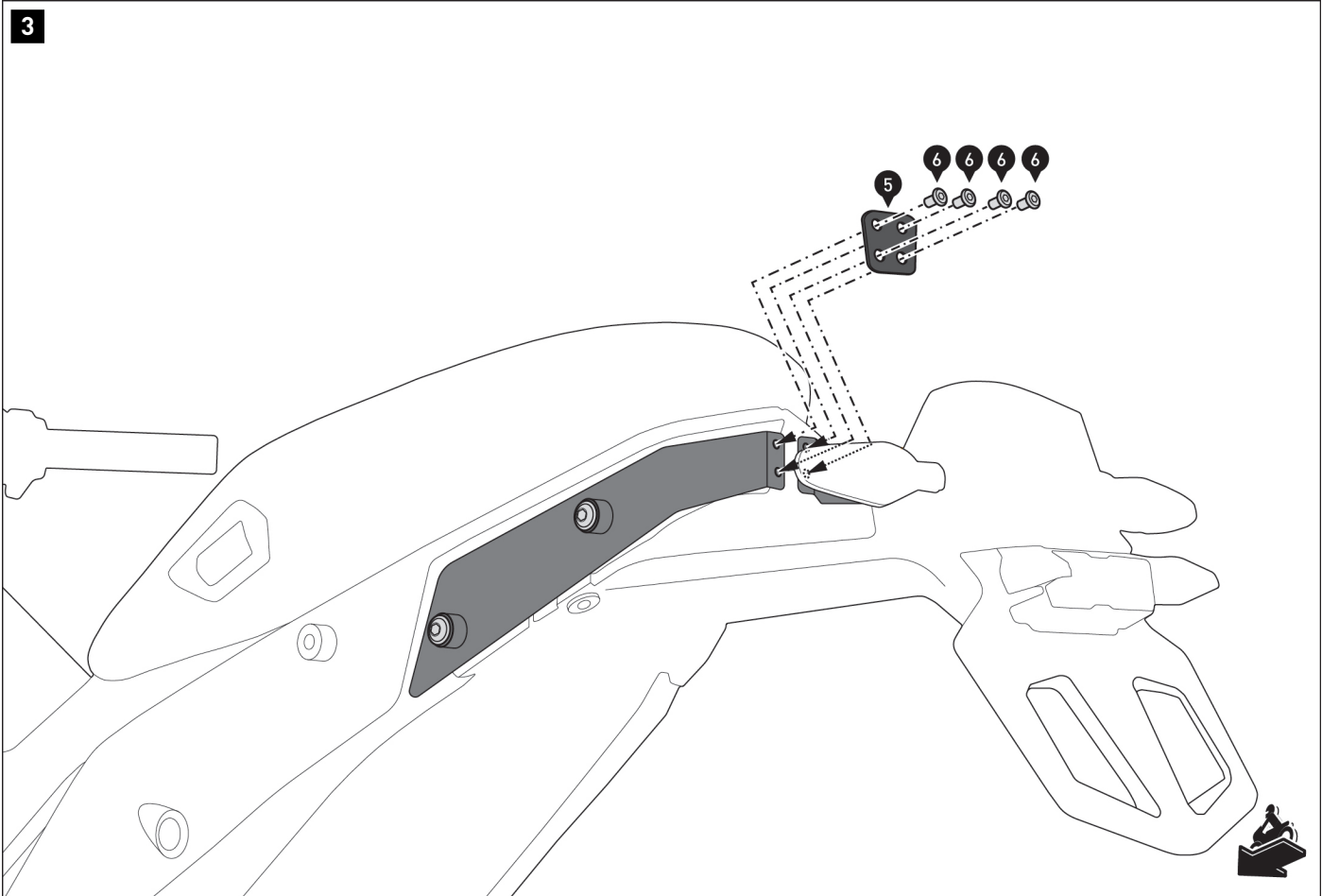




Mount the cover plates (1) and (2) on both sides of the vehicle.

▲ WARNING: Use a liquid threadlocker!
Do not tighten the screws (3) and (4) yet.

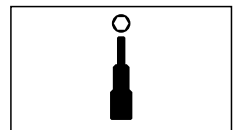
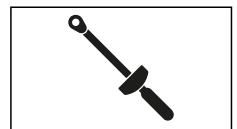


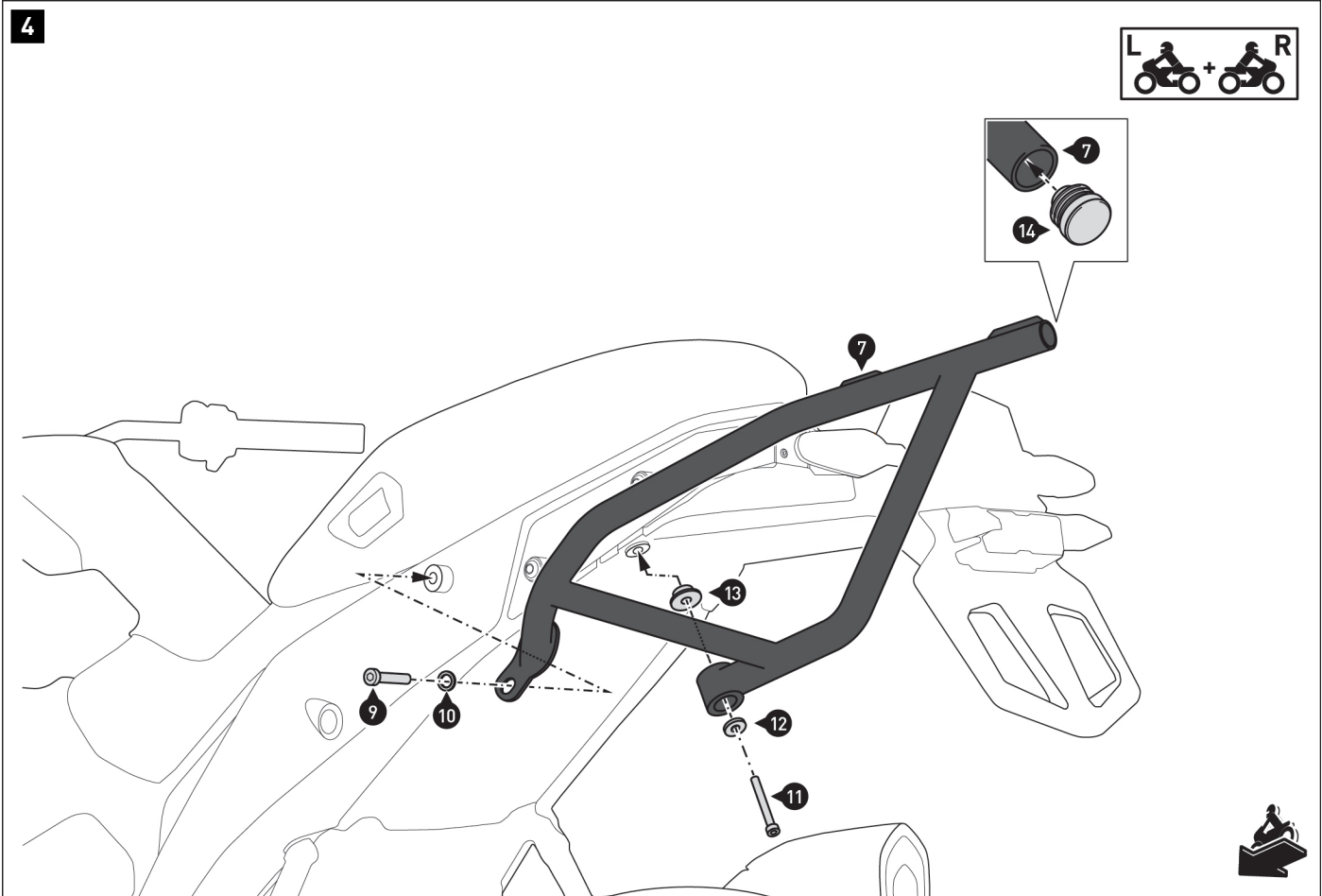


Connect the cover plates (1) and (2) to the connecting plate (5).
▲ WARNING: Use liquid thread locker.
 Tighten the screws (3), (4), and (6) as specified in the mounting instructions.



M 3 Nm

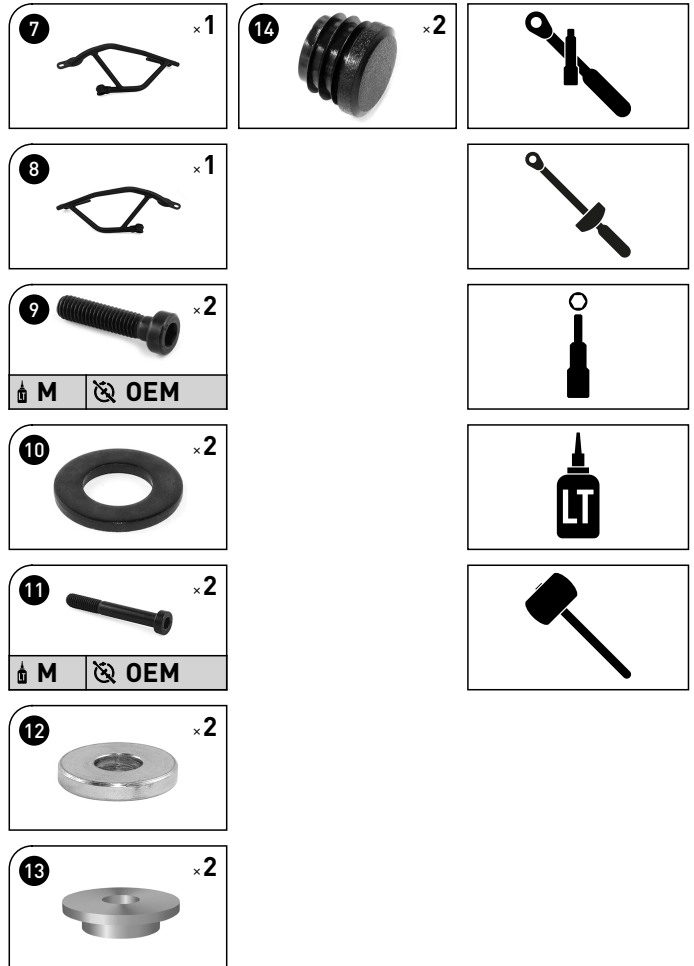


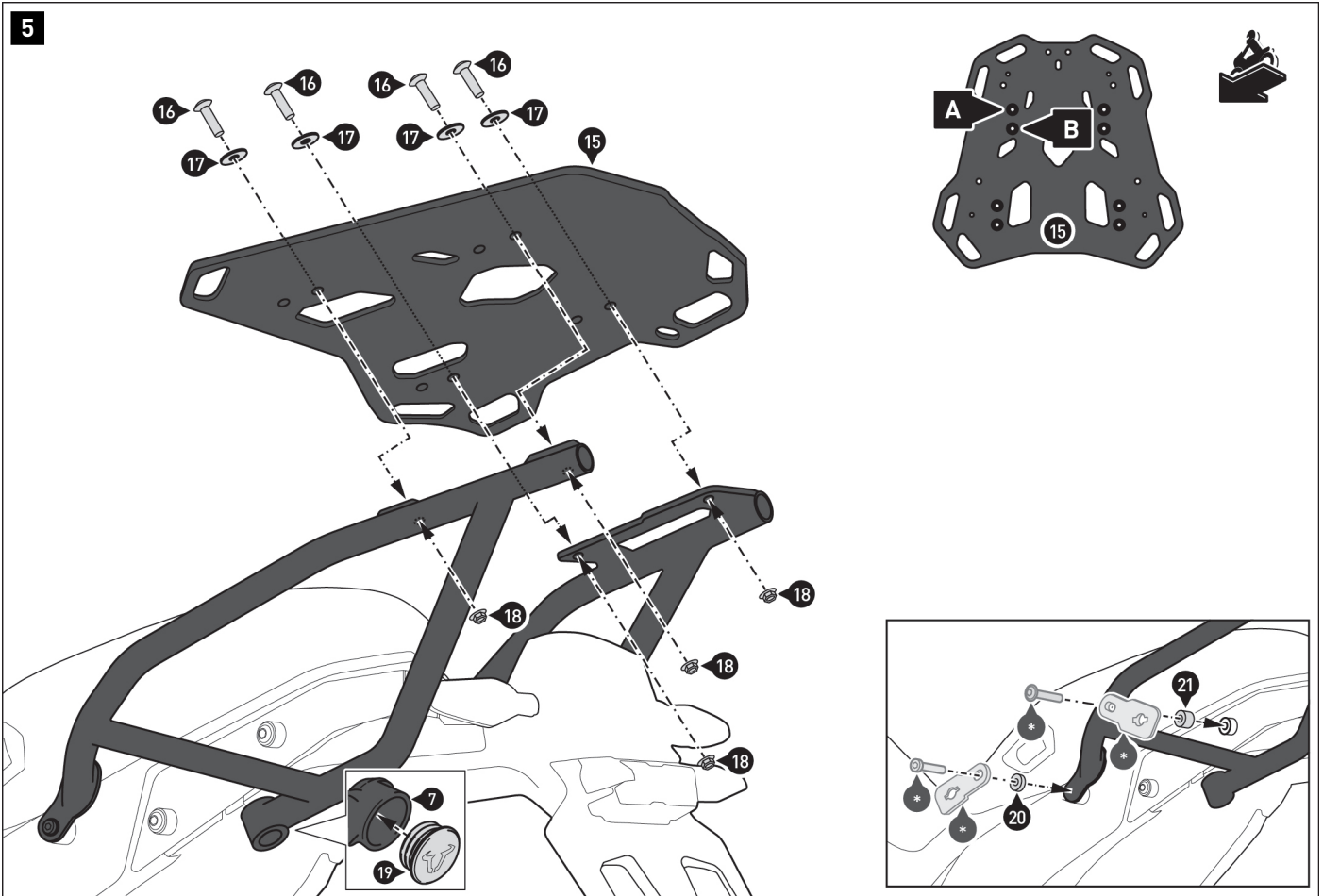


Insert the plastic plugs (14) into the ends of the mounting struts (7/8).

Screw the mounting struts (7/8) onto both sides of the vehicle.

▲ WARNING: Use liquid thread locker.
Do not tighten the screws (9) and (11) yet.





⚠ NOTE: If the SW-MOTECH side carrier is installed at the same time, screws (3) and (9) are omitted. In their place, mount the screws (*) included with the side carrier as shown in the detailed drawing below.

⚠ NOTE: Depending on the space available, screw the rack to the marked mounting position (A) or (B) as shown in the detailed drawing above.

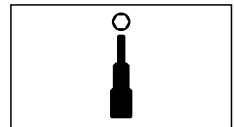
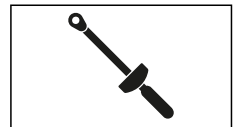
Mount the rack (15) on the mounting struts (7) and (8). Then tighten the screws (16) as specified in the mounting instructions.

Once all components are in place without tension, tighten the screws (9) and (13) according to the manufacturer's instructions.

Place the plastic plugs (19) into the mounting struts (7) and (8).



10 Nm



PRODUCT-SPECIFIC NOTES

⚠ WARNING: The specified maximum load includes the weight of the case/luggage and adapter plate/adapter kit! The maximum vehicle load specified by the vehicle manufacturer applies!



≤ 12 KG (≤ 26 lbs)



≤ 130 km/h (≤ 80 mph)

⚠ NOTE: Ensure you adhere to country-specific regulations regarding the registration and operation of your vehicle or any applicable TÜV regulations. After assembly, parts that are subject to registration should be entered in the vehicle documents by your test center.