

ANBAUANLEITUNG

mounting instructions • instructions de montage • instrucciones de montaje • istruzioni di montaggio

BC.SYS.07.602.21000/B

beinhaltet • contains • contient • contiene • contiene

KFT.07.602.30000/B

SYS.00.001.13100

SYS.00.006.10000L/B

SYS.00.006.10000R/B

BC.SYS.00.006.10000

Item number: **KFT.07.602.30000/B**

Revision: **00** · Date: **05 - 2024**

PRO side carrier

 ~ 1 h.

EASY     DIFFICULT

ENGLISH Thank you for choosing this premium product from SW-MOTECH. Visit our online shop for more information (e.g. model assignments). Required documents (e.g. national type approval) are available there for you to download.


Please read and understand all the instructions, safety information and warnings in these mounting instructions before mounting and using the product in order to avoid injury and damage. Keep these mounting instructions for reference.


This product was developed for vehicles in factory condition. Compatibility with original accessories or accessories from other manufacturers cannot be guaranteed.


These mounting instructions have been prepared to the best of our current knowledge. No legal claims relating to accuracy can be made. Errors and omissions excepted. We reserve the right to make technical and design changes. The copyright is held by SW-MOTECH.


SAFETY WARNING SYMBOL

 This warning symbol is used in these mounting instructions to warn of deadly dangers, injuries or other hazards. The words **DANGER**, **WARNING** or **CAUTION** are used as part of this warning symbol to convey important safety messages and information relating to the installation and use of this product. These words, together with the safety warning symbol, mean:

 **DANGER:** Indicates a hazardous situation which, if not avoided, will result in death or serious injury!

 **WARNING:** Indicates a hazardous situation which, if not avoided, may result in death or serious injury!

 **CAUTION:** Indicates a hazardous situation which, if not avoided, may result in minor or moderate injury!


 **NOTE:** Important information, but not relating to a risk of death or injury (property damage only)!

GENERAL INFORMATION


 **WARNING:** Assembly and/or maintenance of this product requires advanced technical skill, appropriate tools, and a good understanding of tool usage and torque specifications. For your own safety, SW-MOTECH recommends having the assembly and/or maintenance carried out by a qualified and certified motorcycle workshop.


 **WARNING:** If you do choose to assemble this product yourself, carefully and fully read the mounting instructions before assembly and use, and follow all instructions to avoid serious injury or death. Also observe all relevant information in the vehicle manual when mounting or using the product. IF YOU DO NOT UNDERSTAND ANY PART OF THESE MOUNTING INSTRUCTIONS OR NEED AN EXPLANATION AS TO A SPECIFIC INSTRUCTION, DO NOT ATTEMPT TO INSTALL THIS PRODUCT WITHOUT CONSULTING SW-MOTECH FOR ASSISTANCE!

PREPARATION: Read the mounting instructions carefully and make sure that all parts on the parts list are available.

 **CAUTION:** Ensure that your vehicle is standing securely. Switch off the engine and remove the ignition key. Allow the engine/exhaust to cool down if necessary. Disconnect the battery when working on the electrical system. Only use proper tools and always wear safety goggles and gloves during assembly and maintenance. Have a second person help you with assembly and maintenance.

ASSEMBLY: All parts and connections removed from the vehicle must be reinstalled according to the vehicle manufacturer's specifications or replaced with parts and hardware supplied by SW-MOTECH.

 **WARNING:** Secure all threads with a medium-strength liquid threadlocker, unless otherwise specified.

 **DANGER:** Tightening torques not defined by SW-MOTECH must be obtained from the vehicle manufacturer or a certified motorbike workshop.

FUNCTIONAL CHECK: After mounting the product, ensure that no moving parts are obstructed and that the function of the vehicle is not impeded. Cables and hoses must not rub against each other and/or be hindered in any way.

 **WARNING:** Carry out a comprehensive functionality check before you start to drive. Check the tightening torque of all connections and the tight fit of the product after the first 50 km and then at regular intervals. Mounted accessories can change the handling and stability of the vehicle.



SW-MOTECH GmbH & Co. KG
Ernteweg 7-10
35282 Rauschenberg
Germany



 info@sw-motech.com
 www.sw-motech.com

LEGEND OVERVIEW - READ AND KEEP MOUNTING INSTRUCTIONS!



Take note of the symbols and what they mean in the ASSEMBLY section. If the term OEM appears in the ASSEMBLY section, the vehicle manufacturer's specifications must be observed and applied.



If you have any questions, please don't hesitate to contact our Customer Service team or our distributors. You can find our telephone number and a list of our distributors in our online shop:

www.sw-motech.com



Use thread locker: Indicates that a thread must be coated with liquid thread locker. H (HIGH): high strength; M (MEDIUM): medium strength; L (LOW): low strength.



Tighten/note the tightening torque information:

Indicates the tightening torque of a part specified by SW-MOTECH or the vehicle manufacturer (OEM).



Do not use thread lock: Indicates that no liquid thread lock should be used at this point.

PARTS LIST - READ AND KEEP MOUNTING INSTRUCTIONS!

2

1



KFT.07.602.003.11

 2/2

2



KFT.11.748.010.11

 2/2

3



M8 x 30; DIN 7991
SC.ST.08.030.02.7991.088

 2/2

4



∅ 20 / ∅ 8,4 / h 10
DB.ST.0200.0084.0100.02

 2/2

5



KFT.07.602.001.11

 1/1

6



M8 x 25; DIN 6912
SC.ST.08.025.01.6912.088

 2/2

7



∅ 8,4; DIN 9021
US.ST.084.01.9021.300

 2/2

4

8



KFT.07.602.002.11

 2/2

9



M6 x 25; ISO 7380
SC.ST.06.025.02.7380.109

 4/4

10



M6; DIN 6927
MU.ST.06.02.6927.08

 4/8

5

11



KFT.07.602.971.01.11

 1/1

12



KFT.07.602.972.01.11

 1/1

13



KFT.00.152.SV.8

 1/1

6

14



KFT.00.152.028.11

 2/2

15



M6 x 16; ISO 7380
SC.ST.06.016.02.7380.109

 2/2

16



M6 x 35; ISO 7380
SC.ST.06.035.02.7380.109

 2/2

17



M6 x 45; DIN 7991
SC.ST.06.045.02.7991.088

 2/2

18



M6 x 30; DIN 7991
SC.ST.06.030.02.7991.088

 2/2

19



M6 x 50; DIN 6912
SC.ST.06.050.02.6912.088

 2/2

20



∅ 16 / ∅ 6,4 / h 12
DB.ST.160.064.012.01

 2/2

21



M6; DIN 6927
MU.ST.06.02.6927.08

 4/8

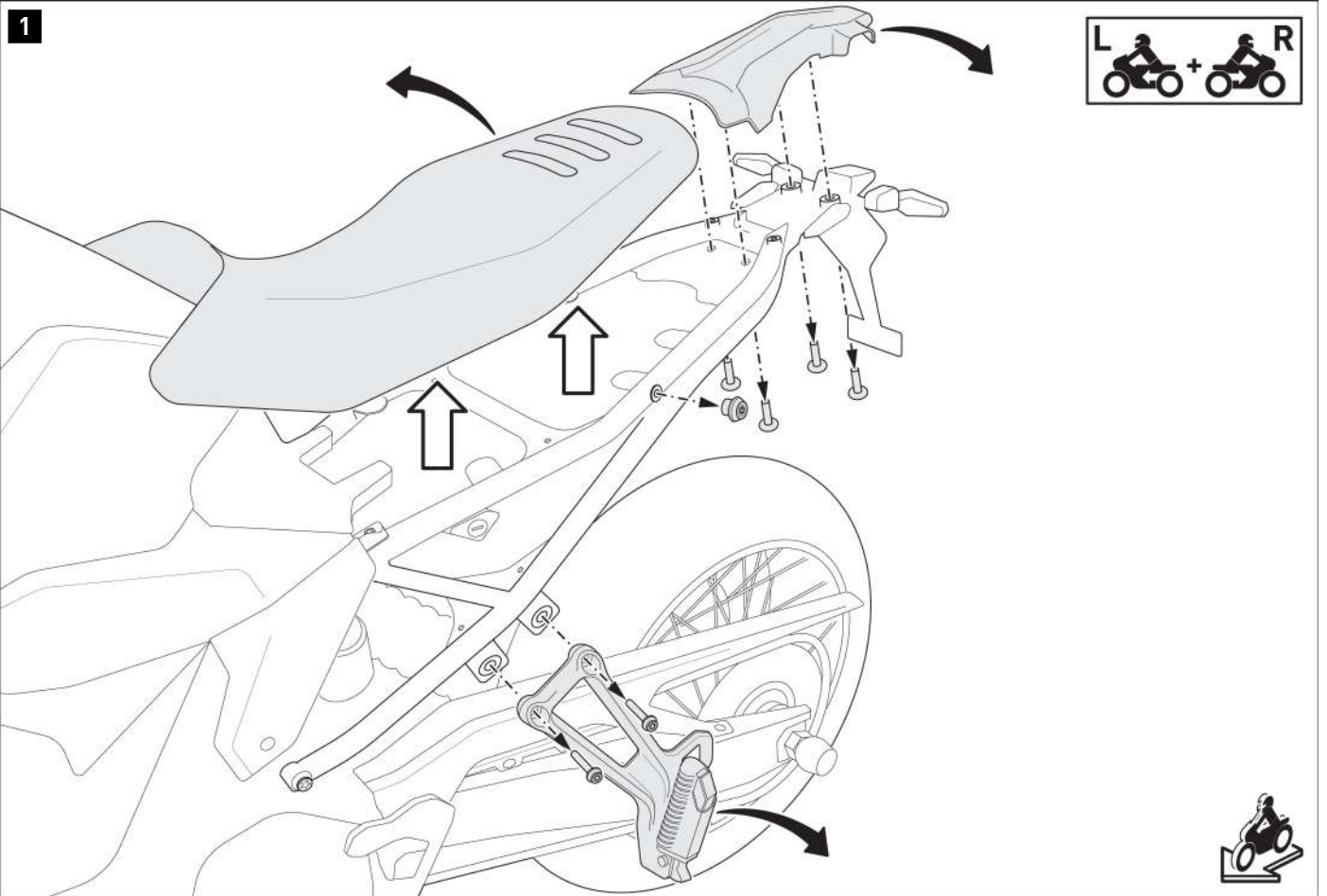
7

22



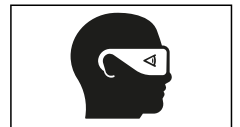
KFT.07.602.004.11

 1/1

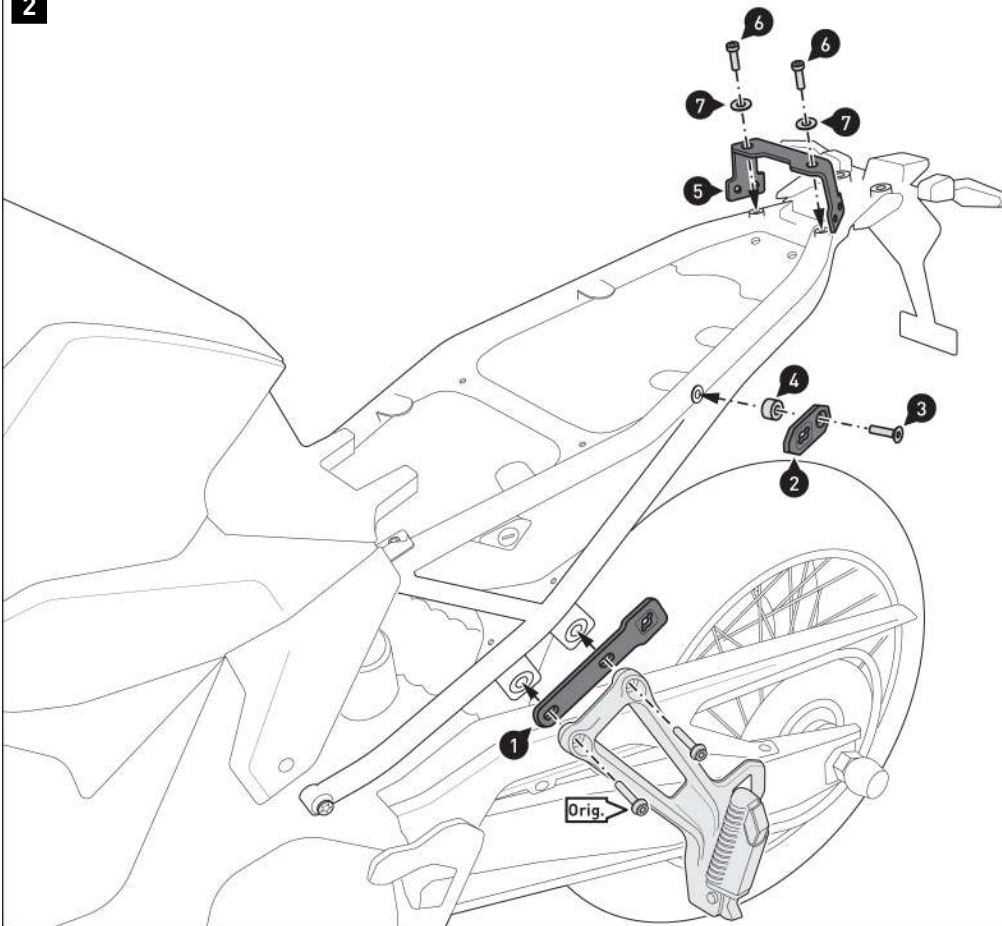


- ▲ **WARNING: Always wear eye and hand protection!**
- ▲ **WARNING: Always use the proper tools!**

Remove the seat and detach the passenger footrests and rear cover.



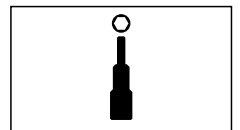
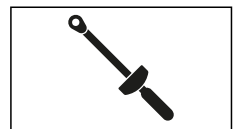
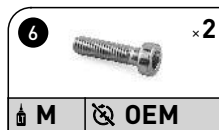
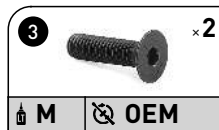
2



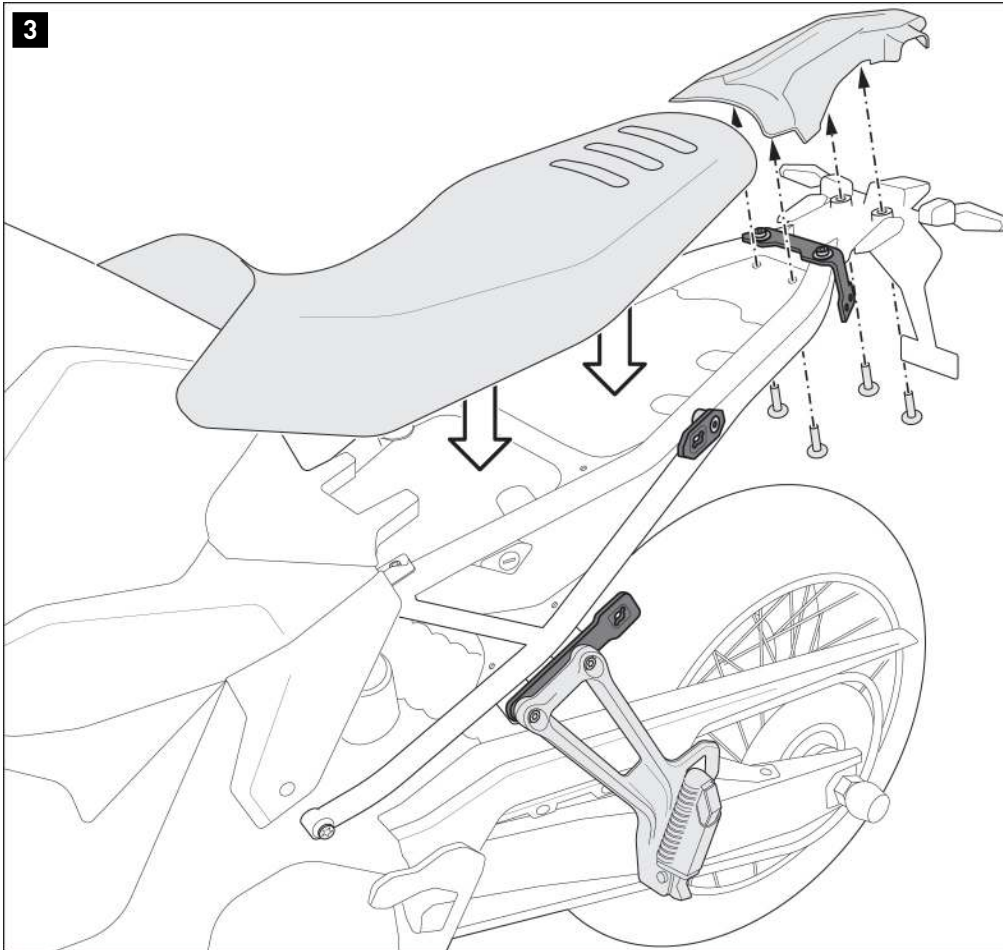
Screw the fastening tabs (1) to the passenger footrests **on both sides**.
▲ WARNING: Use liquid threadlocker!
 Do not tighten the original screws (Orig.) yet.

Screw the fastening tabs (2) **onto both sides** of the vehicle.
▲ WARNING: Use liquid threadlocker!
 Do not tighten the screws (3) yet.

Screw the mounting bracket (5) to the rear.
▲ WARNING: Use liquid threadlocker!
 Tighten the screws (6) according to the manufacturer's instructions.



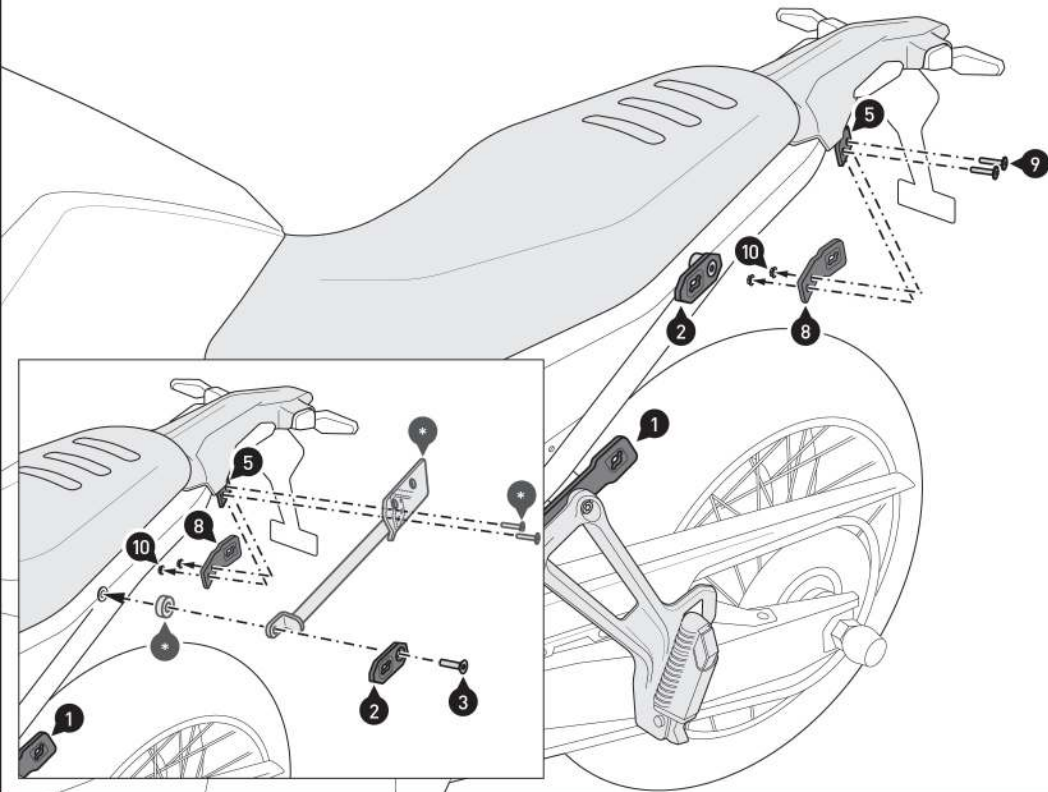
3



Attach the rear cover.
Tighten the original screws according to the manufacturer's instructions.

Add the seat.

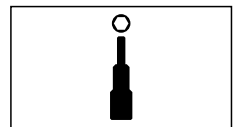
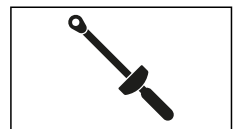
4



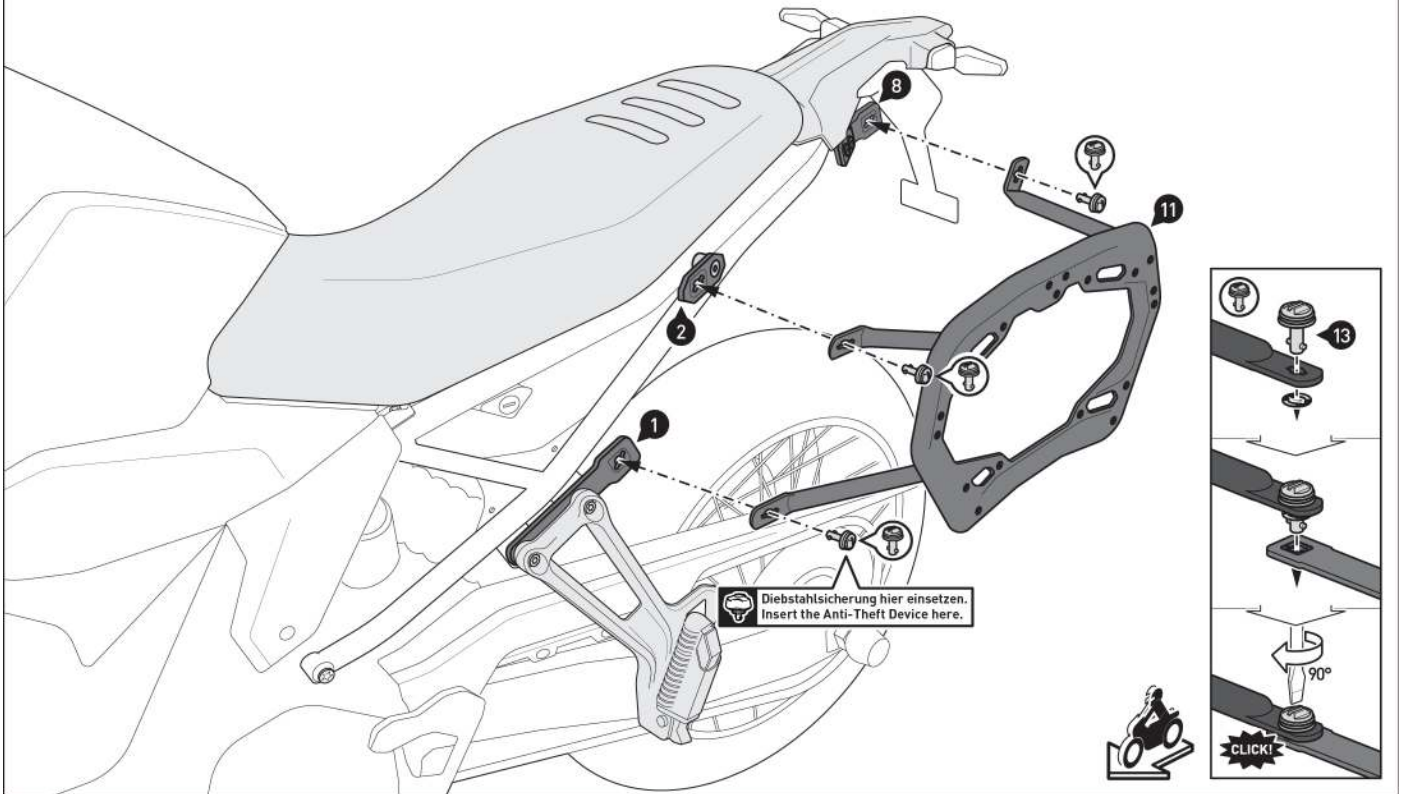
⚠ NOTE: If you are also installing the SW-MOTECH luggage rack (*), screw the parts together as shown in the detailed drawing. The spacers (4) and screws (9) are not required in that case. Instead, use the spacers (*) and screws (*) included with the luggage rack.

Screw the fastening tabs (8) onto both sides of the mounting bracket (5).

⚠ WARNING: Use liquid threadlocker!
Do not tighten the screws (9) yet.

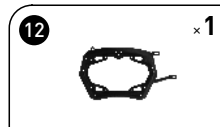
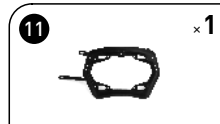


5

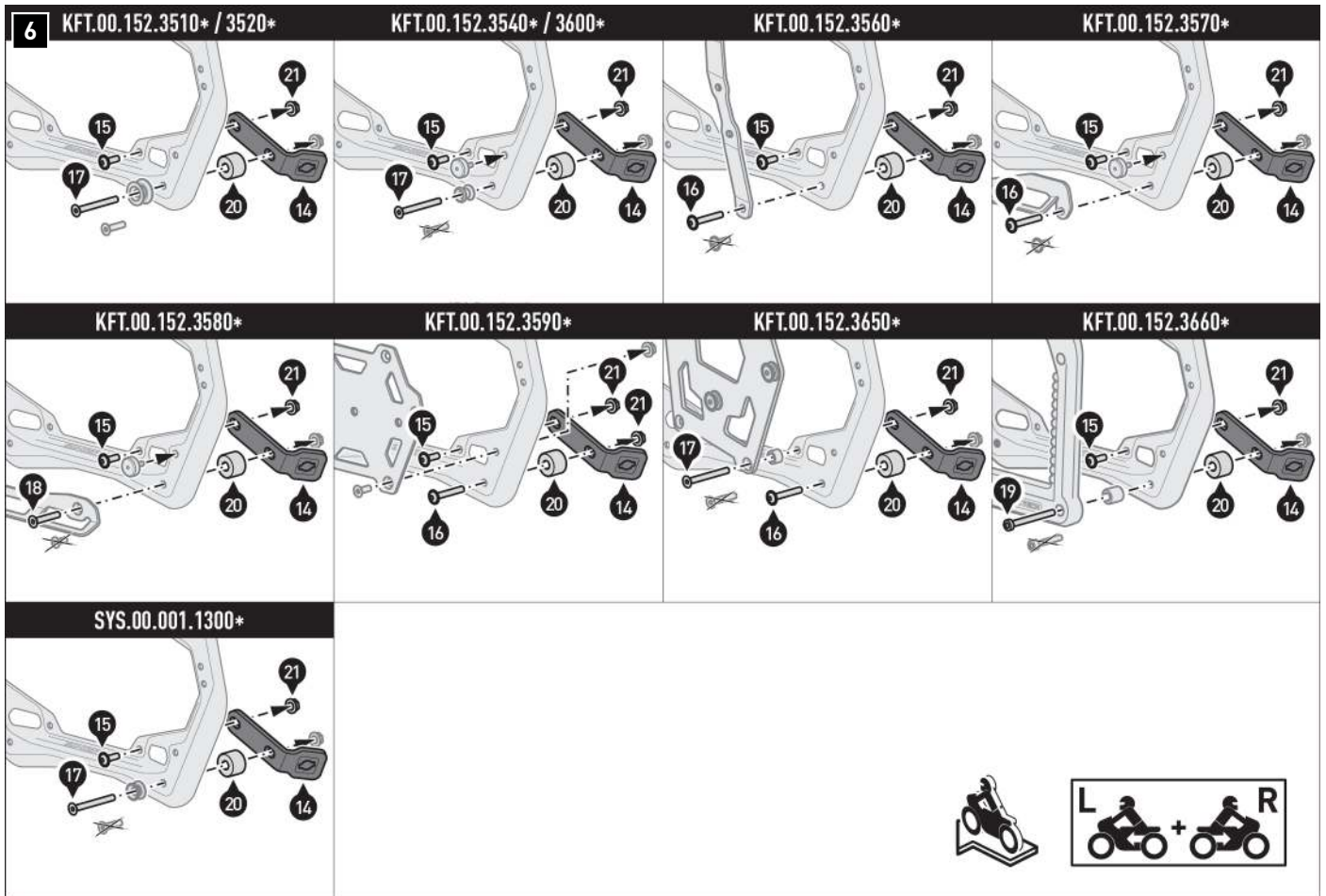


⚠ NOTE : SW-MOTECH anti-theft protection is sold separately;
Mount the anti-theft protection on both sides at the marked positions.

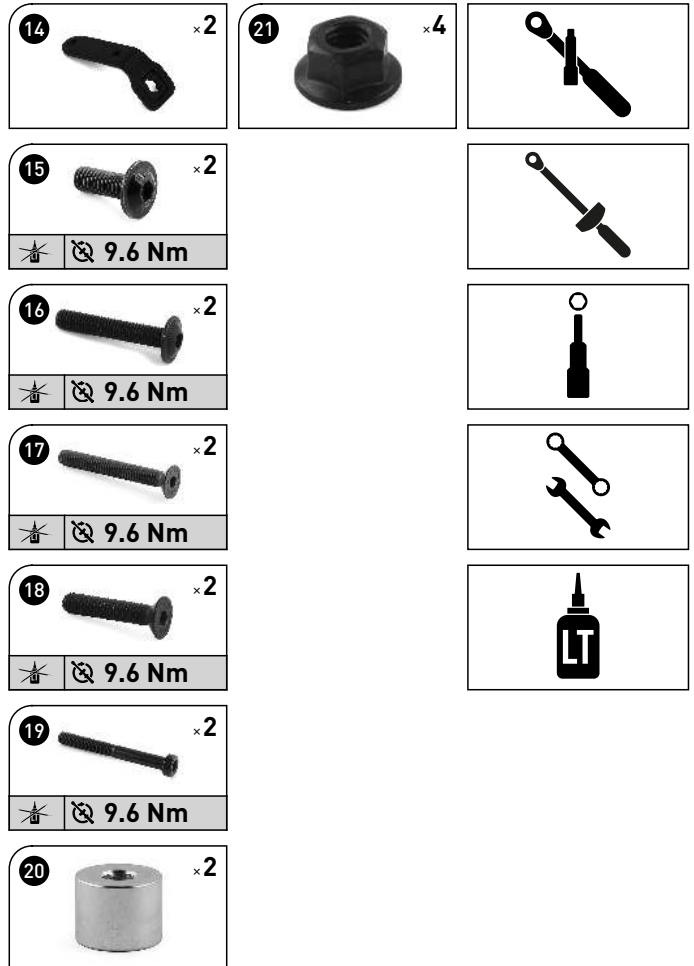
Connect the side carriers (11) and (12) **on both sides** with the quick-release fasteners (13) to the fastening tabs (1), (2) and (8).



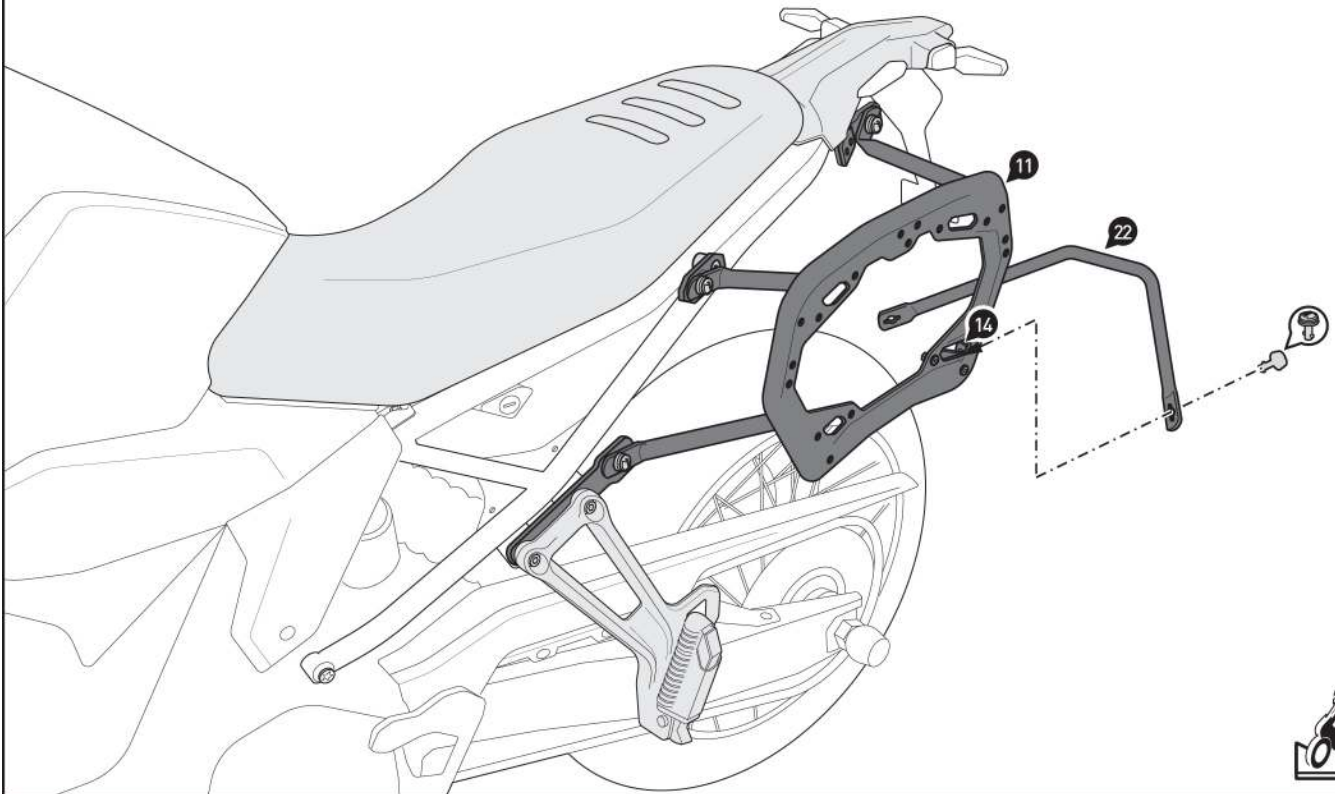
MOUNTING STEP - READ AND KEEP MOUNTING INSTRUCTIONS!



Screw the fastening tabs (14) and the attachment parts for your SW-MOTECH adapter kit to the mounting points shown on the side carriers (11/12). Please follow the mounting instructions for the SW-MOTECH adapter kit.
▲ WARNING: Use liquid threadlocker!
 Do not tighten the screws (15), (16), (17), (18) and (19) yet.

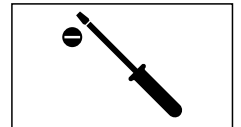


7



Use the the quick-release fasteners (13) to connect the crossbar (22) **on both sides** to the fastening tabs (14).

Once all components are correctly positioned, tighten screws (9), (15), (16), (17), (18), and (19) as specified in the installation instructions. Also tighten the screws (3) and (Orig.) according to the manufacturer's instructions.



PRODUCT-SPECIFIC NOTES

⚠ DANGER: The specified maximum load includes the weight of the carrier adapter kit/luggage and adapter kit! The maximum vehicle load capacity specified by the vehicle manufacturer is applicable!

 ≤ 10 kg (≤ 22 lbs) |  ≤ 130 km/h (≤ 80 mph)

⚠ NOTE: The side carriers were designed exclusively for use with SW-MOTECH adapter kits.

⚠ NOTE: Dismantle the side carriers when riding without luggage. Always use the side carriers in pairs.

⚠ WARNING: Ensure that the cases are NOT in the exhaust gas flow after mounting them on the vehicle! Risk of burns!

⚠ NOTE: Ensure you adhere to country-specific regulations regarding the registration and operation of your vehicle or any applicable TÜV regulations. After assembly, parts that are subject to registration should be entered in the vehicle documents by your test center.

Art.-Nr. / Item No.: **SYS.00.001.13100**

Revision: **01** · Datum / Date: **06 - 2024**

Adapterkit für SysBag

Adapter kit for SysBag

DEUTSCH · Vielen Dank, dass Sie sich für dieses Premium-Produkt von SW-MOTECH entschieden haben. Bitte lesen und verstehen Sie alle Anweisungen, Sicherheitshinweise und Warnungen in dieser Anbauanleitung vor Montage und Nutzung des Produkts, um Verletzungen zu vermeiden. Dieses Produkt wurde für Fahrzeuge im Werkszustand entwickelt. Die Kompatibilität mit Original-Zubehörteilen bzw. den Zubehörteilen anderer Hersteller kann nicht gewährleistet werden. Besuchen Sie unseren Webshop für weitere Informationen wie Modellzuweisungen und PDF-Anbauanleitung. Erforderliche Dokumente (z. B. ABE) stehen als Download zur Verfügung. Bewahren Sie diese Anbauanleitung als Referenz auf.

SW-MOTECH übernimmt keine Haftung für Schäden, die durch eine unsachgemäße Montage und/oder Wartung verursacht wurden!

SICHERHEITSWARNUNGSSYMBOL

⚠ Dieses Warnsymbol wird in dieser Anbauanleitung verwendet, um vor tödlichen Gefahren, Verletzungen oder anderen Gefahren zu warnen. Die Wörter **GEFAHR**, **WARNUNG** oder **VORSICHT** werden mit diesem Warnsymbol verwendet, um wichtige Sicherheitshinweise und Informationen in Bezug auf die Montage und Nutzung dieses Produkts zu übermitteln. Diese Wörter zusammen mit dem Sicherheitswarnsymbol bedeuten:

⚠ GEFAHR: Weist auf eine gefährliche Situation hin, die zum Tod oder zu schweren Verletzungen führt, wenn sie nicht vermieden wird!

⚠ WARNUNG: Weist auf eine gefährliche Situation hin, die zum Tod oder zu schweren Verletzungen führen kann, wenn sie nicht vermieden wird!

⚠ VORSICHT: Weist auf eine gefährliche Situation hin, die zu leichten oder mittelschweren Verletzungen führen kann, wenn sie nicht vermieden wird!

⚠ HINWEIS: Wichtige Informationen, jedoch nicht in Bezug auf Todes- oder Verletzungsgefahr (nur Sachschäden)!

⚠ WARNUNG: Die Montage und/oder Wartung dieses Produkts erfordert fortgeschrittene technische Fähigkeiten, passende Werkzeuge und ein gutes Verständnis der Werkzeugnutzung und Drehmomentangaben. Zu Ihrer Sicherheit empfiehlt SW-MOTECH, die Montage und/oder Wartung von einem qualifizierten und zertifizierten Zweiradmechaniker durchführen zu lassen.

⚠ WARNUNG: Wenn Sie sich für die Eigenmontage dieses Produkts entscheiden, lesen Sie vor Montage und Nutzung die Anbauanleitung sorgfältig und vollständig durch und befolgen Sie alle Anweisungen, um schwere oder tödliche Verletzungen zu vermeiden. Beachten Sie bei der Montage und Verwendung auch alle relevanten Informationen im Fahrzeughandbuch. **WENN SIE EINEN TEIL DIESER ANBAUANLEITUNG NICHT VERSTEHEN ODER EINE ERKLÄRUNG EINER ANWEISUNG BENÖTIGEN, VERSUCHEN SIE NICHT, DIESES PRODUKT ZU MONTIEREN OHNE SW-MOTECH UM HILFE ZU FRAGEN.**

VORBEREITUNG: Lesen Sie die Anbauanleitung aufmerksam und stellen Sie sicher, dass alle Teile der Stückliste vorhanden sind.

⚠ VORSICHT: Achten Sie auf den sicheren Stand Ihres Fahrzeugs. Schalten Sie den Motor ab und ziehen Sie den Zündschlüssel. Den Motor/Auspuff bei Bedarf abkühlen lassen. Klemmen Sie die Batterie bei Arbeiten an der Elektrik ab. Verwenden Sie geeignetes Werkzeuge und tragen Sie immer eine Schutzbrille und Handschuhe. Lassen Sie sich von einer zweiten Person helfen.

MONTAGE: Alle vom Fahrzeug entfernten Teile und Verbindungen müssen gemäß den Angaben des Fahrzeugherstellers wieder eingebaut oder durch von SW-MOTECH gelieferte Teile und Hardware ersetzt werden.

⚠ WARNUNG: Sichern Sie alle Gewinde, sofern nicht anders angegeben, mit mittelstarker, flüssiger Schraubensicherung. Von SW-MOTECH nicht definierte Drehmomentspezifikationen müssen vom Fahrzeughersteller oder von einer zertifizierten Motorradwerkstatt bezogen werden!

FUNKTIONSKONTROLLE: Stellen Sie nach der Montage sicher, dass keine beweglichen Teile blockiert und die Funktion des Fahrzeugs nicht gestört wird. Kabel und Schläuche dürfen nicht scheuern und/oder geklemmt werden.

⚠ WARNUNG: Führen Sie vor Fahrtbeginn eine umfassende Funktionskontrolle durch. Prüfen Sie nach den ersten 50 km und dann regelmäßig das Anzugsmoment aller Verbindungen und den festen Sitz des Produkts. Montiertes Zubehör kann Fahrverhalten/Stabilität des Fahrzeugs verändern.

ENGLISH · Thank you for choosing this premium product from SW-MOTECH. Please carefully read and understand all instructions, safety messages and warnings in this mounting instructions prior to installation and use of this product to avoid injury.

This product was developed for vehicles in their factory setting. Compatibility with original accessory parts or other manufacturers' accessory parts is not guaranteed. Visit our webshop for additional information, such as application charts and PDF mounting instructions. Any other documents that may be required (e.g. ABE certifications), are also available for download at our webshop. Keep these mounting instructions as reference.

SW-MOTECH assumes no liability for damage caused by improper installation and/or maintenance work!

SAFETY ALERT SYMBOL

⚠ This safety alert symbol is used throughout these mounting instructions to warn of the possibility of death, bodily injury or other warnings. The words **DANGER**, **WARNING** and **CAUTION** are used with this safety alert symbol to convey important safety messages and information related to the installation and use of this product. These words along with the safety alert symbol mean:

⚠ DANGER: Indicates a hazardous situation that, if not avoided, will result in death or serious injury!

⚠ WARNING: Indicates a hazardous situation that, if not avoided, could result in death or serious injury!

⚠ CAUTION: Indicates a hazardous situation that, if not avoided, could result in minor or moderate injury!

⚠ NOTICE: Important information, but not death or injury related (property damage only)!

⚠ WARNING: The installation and/or maintenance of this product requires advanced mechanical skills, the proper tools, and a thorough understanding of tool use and torque specifications.

For your own safety, SW-MOTECH recommends having installation and/or maintenance carried out by a qualified and certified motorcycle mechanic.

⚠ WARNING: Should you choose to self-install this product, carefully and completely read all intallation and safety instructions before installation and use, and follow all the directions and safety precautions given in the mounting instructions to avoid serious injury or death. Also pay attention to all relevant information in the vehicle manual during intallation and use. **IF YOU DO NOT UNDERSTAND ANY PART OF THESE INSTRUCTIONS, OR NEED CLARIFICATION OF ANY INSTRUCTION, DO NOT ATTEMPT TO MOUNT THIS PRODUCT WITHOUT CONTACTING SW-MOTECH FOR ASSISTANCE.**

PREPARATION: Read the mounting instructions carefully and make sure that all items of the parts list are included.

⚠ CAUTION: Make sure that your vehicle is parked safely and cannot fall over. Turn off the engine and remove the ignition key. Let the engine/exhaust cool off if necessary. Disconnect the vehicle battery when working on the electrical system. Use appropriate tools and wear always safety glasses and hand protection. Have another person help you.

MOUNTING: All parts and connections removed from the vehicle must be reinstalled in accordance with the vehicle manufacturer specifications or replaced by parts and hardware delivered by SW-MOTECH.

⚠ WARNING: Secure all threads, unless otherwise specified, with medium-strong strength liquid thread locker. Torque specifications undefined by SW-MOTECH must be obtained from the vehicle manufacturer or by a certified motorcycle workshop!

FUNCTION CHECK: After installation also make sure that no moving parts are obstructed, and function of the vehicle is not hindered in any way. Cables and hoses must not rub and/or be pinched.

⚠ WARNING: Before starting to ride, perform a comprehensive check of all functions. After the first 50 km and then at regular intervals, check the tightening torque of all connections and the proper fit of the product. Installed accessories can change driving behavior/stability of the vehicle.

Konfektionierung durch / Packed by:

Datum der Konfektionierung / Date of packaging:



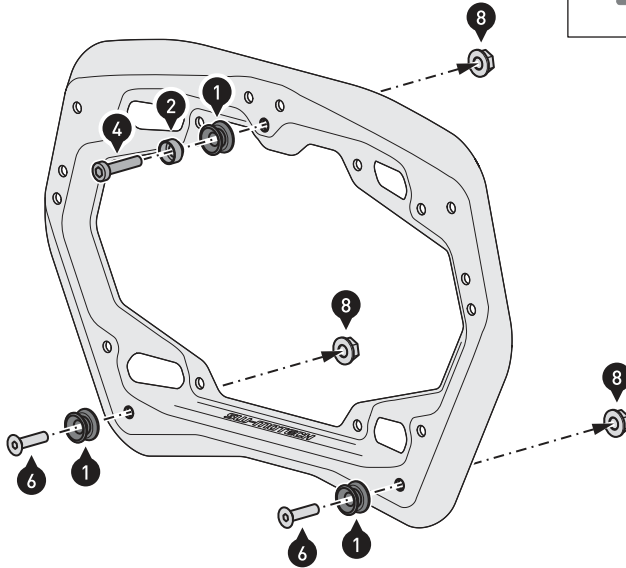
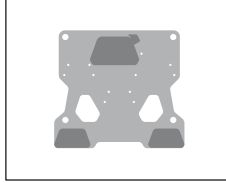
SW-MOTECH GmbH & Co. KG
Ernteweg 7-10
35282 Rauschenberg
Germany

Tel. / phone + 49 (0)6425 / 8168 - 050
Fax / fax + 49 (0)6425 / 8168 - 10
info@sw-motech.com
www.sw-motech.com

PRO Seitenträger
PRO side carrier



Adapterplatte für SysBag 15
Adapter plate for SysBag 15



PRO Seitenträger und Adapterplatte für SysBag 15

⚠️ WARNUNG: Tragen Sie immer Augen- und Handschutz!

⚠️ WARNUNG: Verwenden Sie immer geeignetes Werkzeug!

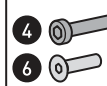
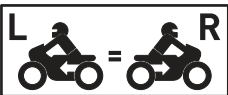
Verschrauben Sie die gezeigten Teile an ihrem PRO Seitenträger (rechter PRO Seitenträger gezeigt). Ziehen Sie die Schrauben wie vorgegeben an.

PRO side carrier and adapter plate for SysBag 15

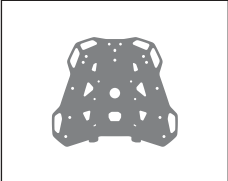
⚠️ WARNUNG: Always wear eye and hand protection!

⚠️ WARNUNG: Always use appropriate tools!

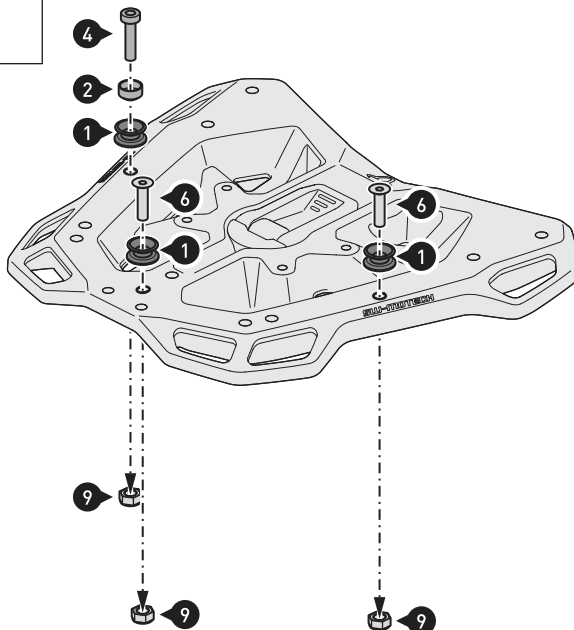
Attach the shown parts to your PRO side carrier (right PRO side carrier shown). Tighten the screws as specified.



Adapterplatte für STREET-RACK
Adapter plate for STREET-RACK



Adapterpl. für SysBag WP S / M
Adapter pl. for SysBag WP S / M



Adapterplatte für STREET-RACK Gepäckträger und Adapterp. für SysBag WP S / M und 10 / 15

⚠️ WARNUNG: Tragen Sie immer Augen- und Handschutz!

⚠️ WARNUNG: Verwenden Sie immer geeignetes Werkzeug!

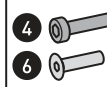
Verschrauben Sie die gezeigten Teile an ihrer Adapterplatte für STREET-RACK Gepäckträger. **⚠️ HINWEIS:** Achten Sie darauf, dass der Verschlussmechanismus der Adapterplatte für SysBag und der Verschlussbolzen (2) gegenüberliegend montiert werden! Ziehen Sie die Schrauben wie vorgegeben an.

Adapter plate for STREET-RACK and adapter plate for SysBag WP S / M and 10 / 15

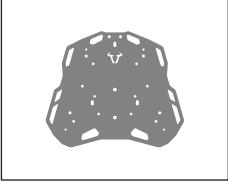
⚠️ WARNUNG: Always wear eye and hand protection!

⚠️ WARNUNG: Always use appropriate tools!

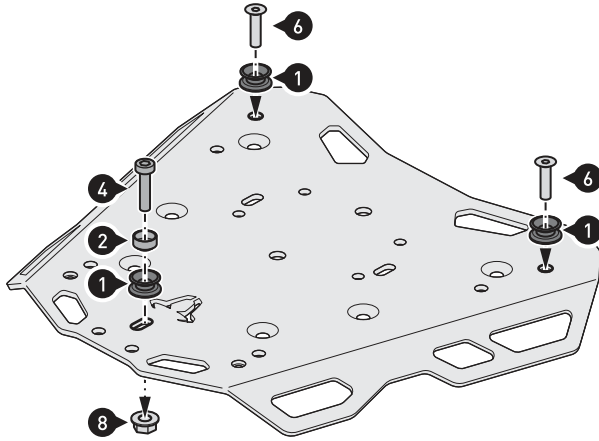
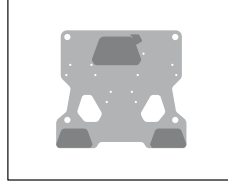
Attach the shown parts to your Adapter plate for STREET-RACK. **⚠️ NOTICE:** Make sure that the locking mechanism of the adapter plate for SysBag and the lock bolt (2) are mounted opposite to each other! Tighten the screws as specified.



**STEEL-RACK Gepäckträger
STEEL-RACK**



**Adapterplatte für SysBag 15
Adapter plate for SysBag 15**



**STEEL-RACK Gepäckträger und
Adapterplatte für SysBag 15**

⚠️ WARNUNG: Tragen Sie immer Augen- und Handschutz!

⚠️ WARNUNG: Verwenden Sie immer geeignetes Werkzeug!

Verschrauben Sie die gezeigten Teile an ihrem STEEL-RACK Gepäckträger.

⚠️ WARNUNG: Verwenden Sie flüssige Schraubensicherung (nur Schrauben (6))!

Ziehen Sie die Schrauben wie vorgegeben an.

**STEEL-RACK and
adapter plate for SysBag 15**

⚠️ WARNUNG: Always wear eye and hand protection!

⚠️ WARNUNG: Always use appropriate tools!

Attach the shown parts to your STEEL-RACK.

⚠️ WARNUNG: Use liquid thread locker (screws (6) only)!

Tighten the screws as specified.

	 9 N·m
	

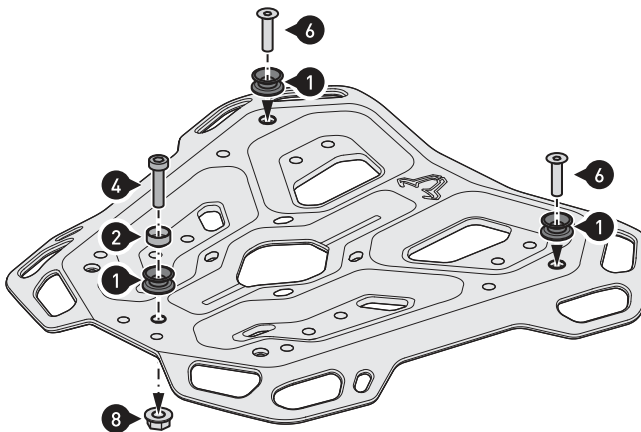
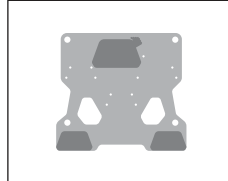
	 9 N·m
	 Medium



**ADVENTURE-RACK Gepäckträger
ADVENTURE RACK**



**Adapterplatte für SysBag 15
Adapter plate for SysBag 15**



**ADVENTURE-RACK Gepäckträger und
Adapterplatte für SysBag 15**

⚠️ WARNUNG: Tragen Sie immer Augen- und Handschutz!

⚠️ WARNUNG: Verwenden Sie immer geeignetes Werkzeug!

Verschrauben Sie die gezeigten Teile an ihrem ADVENTURE-RACK Gepäckträger.

⚠️ WARNUNG: Verwenden Sie flüssige Schraubensicherung (nur Schrauben (6))!

Ziehen Sie die Schrauben wie vorgegeben an.

**ADVENTURE RACK and
adapter plate for SysBag 15**

⚠️ WARNUNG: Always wear eye and hand protection!




⚠️ WARNUNG: Always use appropriate tools!

Attach the shown parts to your ADVENTURE RACK.

⚠️ WARNUNG: Use liquid thread locker (screws (6) only)!

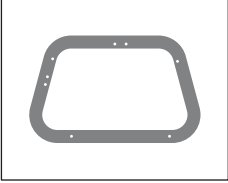
Tighten the screws as specified.

	 9 N·m
	

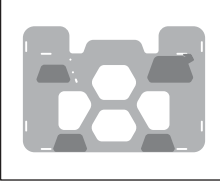
	 9 N·m
	 Medium



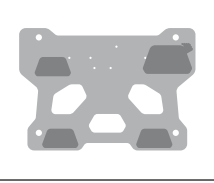
EVO Kofferträger
EVO side carrier



Adapterplatte für SysBag WP L
Adapter plate for SysBag WP L



Adapterplatte für SysBag 30
Adapter plate for SysBag 30



Adapterplatte für EVO Kofferträger und Adapterplatte für SysBag WP L und 30

⚠️ WARNUNG: Tragen Sie immer Augen- und Handschutz!

⚠️ WARNUNG: Verwenden Sie immer geeignetes Werkzeug!

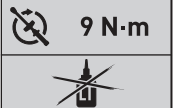
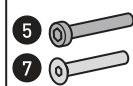
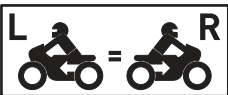
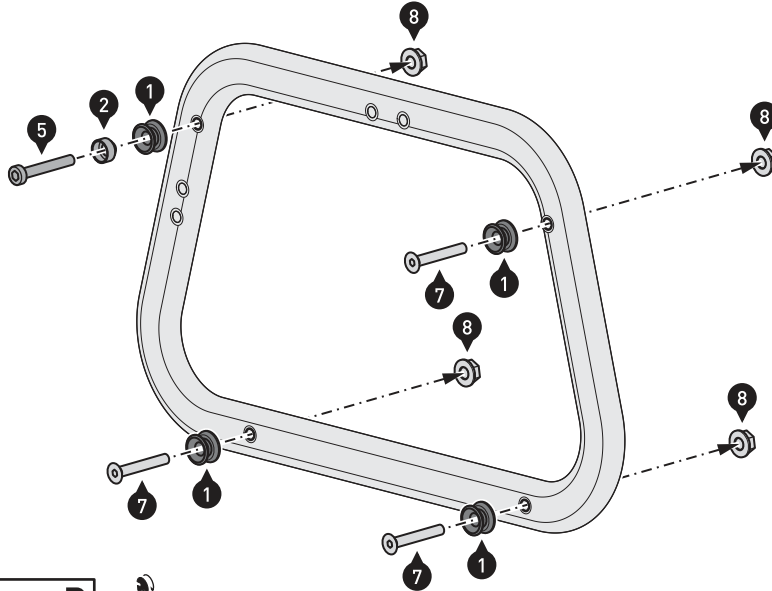
Verschrauben Sie die gezeigten Teile an ihrem EVO Kofferträger (rechter EVO Kofferträger gezeigt). Ziehen Sie die Schrauben wie vorgegeben an.

Adapter plate for EVO side carrier for SysBag WP L and 30

⚠️ WARNUNG: Always wear eye and hand protection!

⚠️ WARNUNG: Always use appropriate tools!

Attach the shown parts to your EVO side carrier (right EVO side carrier shown). Tighten the screws as specified.



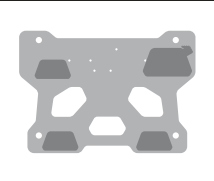
PRO Seitenträger
PRO side carrier



Adapterplatte für SysBag WP L
Adapter plate for SysBag WP L



Adapterplatte für SysBag 30
Adapter plate for SysBag 30



Adapterplatte für PRO Kofferträger und Adapterplatte für SysBag WP L und 30

⚠️ WARNUNG: Tragen Sie immer Augen- und Handschutz!

⚠️ WARNUNG: Verwenden Sie immer geeignetes Werkzeug!

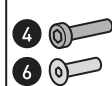
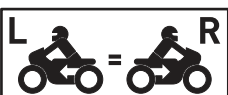
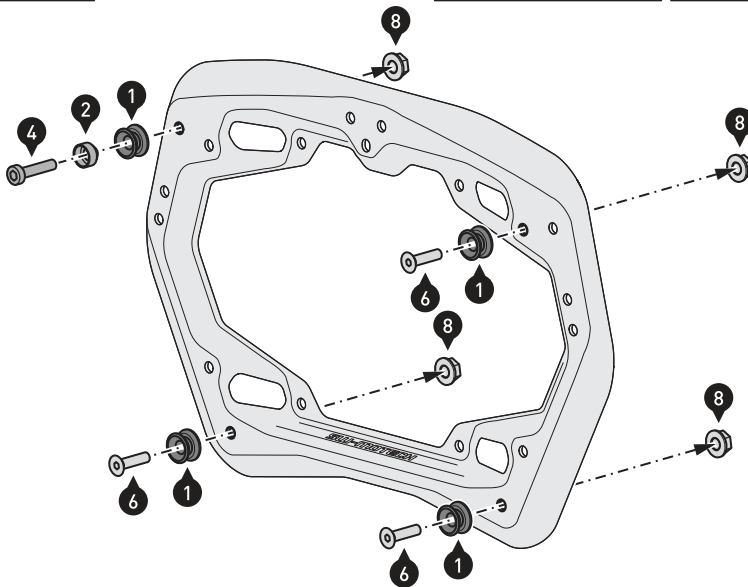
Verschrauben Sie die gezeigten Teile an ihrem PRO Seitenträger (rechter PRO Seitenträger gezeigt). Ziehen Sie die Schrauben wie vorgegeben an.

Adapter plate for PRO side carrier for SysBag WP L and 30

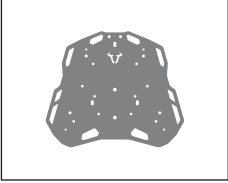
⚠️ WARNUNG: Always wear eye and hand protection!

⚠️ WARNUNG: Always use appropriate tools!

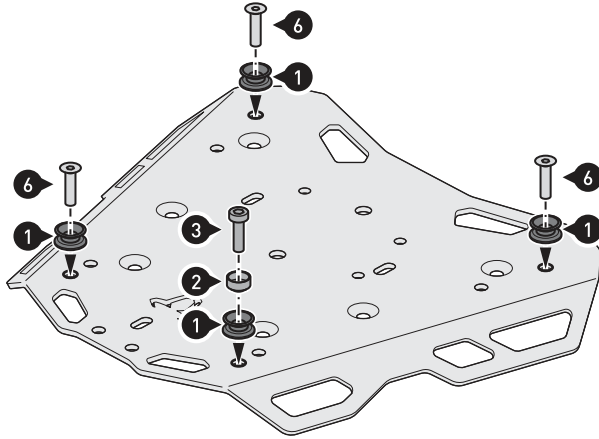
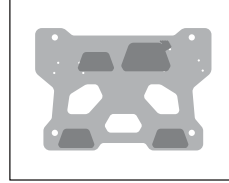
Attach the shown parts to your PRO side carrier (right PRO side carrier shown). Tighten the screws as specified.



**STEEL-RACK Gepäckträger
STEEL-RACK**



**Adapterplatte für SysBag 30
Adapter plate for SysBag 30**



**STEEL-RACK Gepäckträger und
Adapterplatte für SysBag 30**

⚠️ WARNUNG: Tragen Sie immer Augen- und Handschutz!

⚠️ WARNUNG: Verwenden Sie immer geeignetes Werkzeug!

Verschrauben Sie die gezeigten Teile an ihrem STEEL-RACK Gepäckträger.

⚠️ HINWEIS: Achten Sie darauf, dass der Verschlussmechanismus der Adapterplatte für SysBag und der Verschlussbolzen (2) gegenüberliegend montiert werden!

⚠️ WARNUNG: Verwenden Sie flüssige Schraubensicherung! Ziehen Sie die Schrauben wie vorgegeben an.

**STEEL-RACK and
adapter plate for SysBag 30**

⚠️ WARNUNG: Always wear eye and hand protection!

⚠️ WARNUNG: Always use appropriate tools!

Attach the shown parts to your STEEL-RACK.

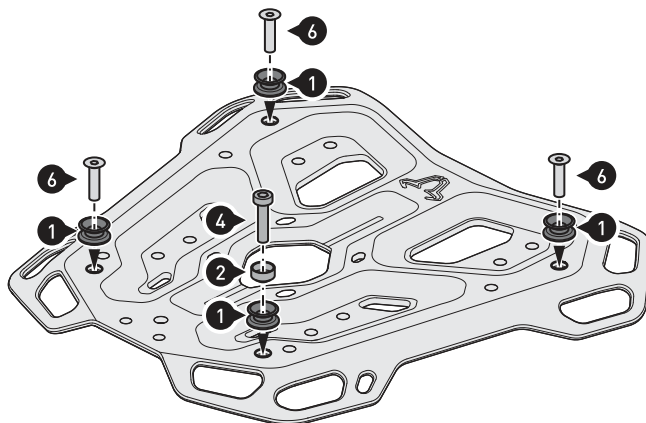
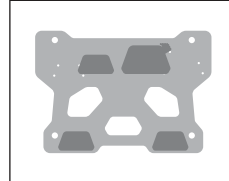
⚠️ NOTICE: Make sure that the locking mechanism of the adapter plate for SysBag and the lock bolt (2) are mounted opposite to each other!

⚠️ WARNUNG: Use liquid thread locker! Tighten the screws as specified.

**ADVENTURE-RACK Gepäckträger
ADVENTURE RACK**



**Adapterplatte für SysBag 30
Adapter plate for SysBag 30**



**ADVENTURE-RACK Gepäckträger und
Adapterplatte für SysBag 30**

⚠️ WARNUNG: Tragen Sie immer Augen- und Handschutz!

⚠️ WARNUNG: Verwenden Sie immer geeignetes Werkzeug!

Verschrauben Sie die gezeigten Teile an ihrem ADVENTURE-RACK Gepäckträger.

⚠️ HINWEIS: Achten Sie darauf, dass der Verschlussmechanismus der Adapterplatte für SysBag und der Verschlussbolzen (2) gegenüberliegend montiert werden!

⚠️ WARNUNG: Verwenden Sie flüssige Schraubensicherung! Ziehen Sie die Schrauben wie vorgegeben an.

**ADVENTURE RACK and
adapter plate for SysBag 30**

⚠️ WARNUNG: Always wear eye and hand protection!

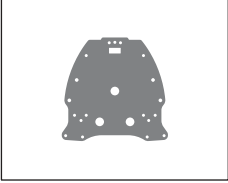
⚠️ WARNUNG: Always use appropriate tools!

Attach the shown parts to your ADVENTURE RACK.

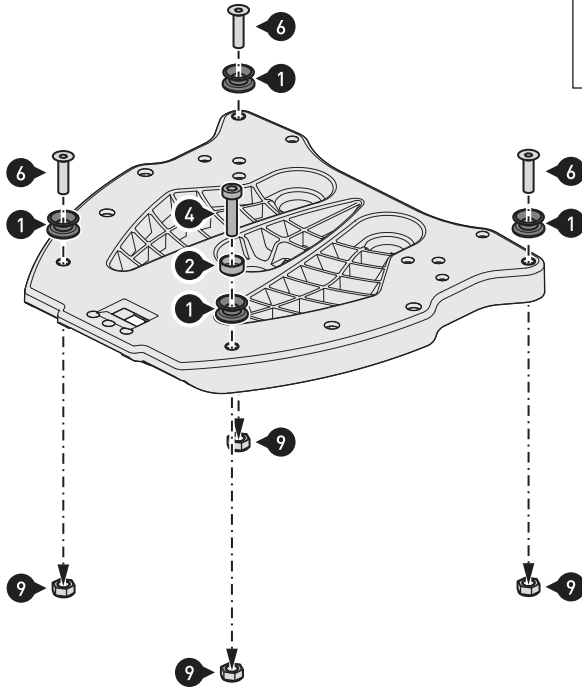
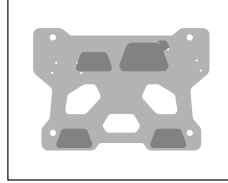
⚠️ NOTICE: Make sure that the locking mechanism of the adapter plate for SysBag and the lock bolt (2) are mounted opposite to each other!

⚠️ WARNUNG: Use liquid thread locker! Tighten the screws as specified.

Adapterplatte für ALU-RACK
Adapter plate for ALU-RACK



Adapterplatte für SysBag 30
Adapter plate for SysBag 30



Adapterplatte für ALU-RACK
Gepäckträger und
Adapterplatte für SysBag 30

⚠️ WARNUNG: Tragen Sie immer Augen- und Handschutz!

⚠️ WARNUNG: Verwenden Sie immer geeignetes Werkzeug!

Verschrauben Sie die geeigneten Teile an ihrer Adapterplatte für ALU-RACK Gepäckträger.

⚠️ HINWEIS: Achten Sie darauf, dass der Verschlussmechanismus der Adapterplatte für SysBag und der Verschlussbolzen (2) gegenüberliegend montiert werden!

Ziehen Sie die Schrauben wie vorgegeben an.

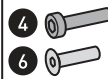
Adapter plate for ALU-RACK and
adapter plate for SysBag 30

⚠️ WARNUNG: Always wear eye and hand protection!

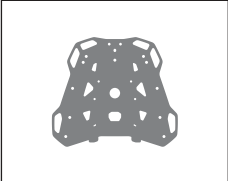
⚠️ WARNUNG: Always use appropriate tools!

Attach the shown parts to your Adapter plate for ALU-RACK.

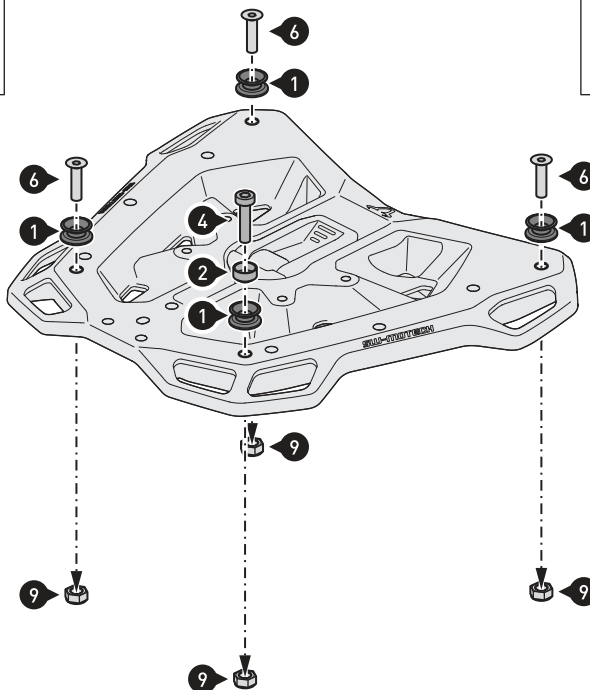
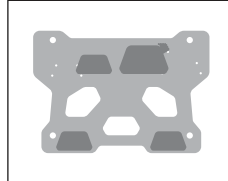
⚠️ NOTICE: Make sure that the locking mechanism of the adapter plate for SysBag and the lock bolt (2) are mounted opposite to each other! Tighten the screws as specified.



Adapterplatte für STREET-RACK
Adapter plate for STREET-RACK



Adapterplatte für SysBag 30
Adapter plate for SysBag 30



Adapterplatte für STREET-RACK
Gepäckträger und
Adapterplatte für SysBag 30

⚠️ WARNUNG: Tragen Sie immer Augen- und Handschutz!

⚠️ WARNUNG: Verwenden Sie immer geeignetes Werkzeug!

Verschrauben Sie die geeigneten Teile an ihrer Adapterplatte für STREET-RACK Gepäckträger.

⚠️ HINWEIS: Achten Sie darauf, dass der Verschlussmechanismus der Adapterplatte für SysBag und der Verschlussbolzen (2) gegenüberliegend montiert werden!

Ziehen Sie die Schrauben wie vorgegeben an.

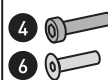
Adapter plate for STREET-RACK
and adapter plate for SysBag 30

⚠️ WARNUNG: Always wear eye and hand protection!

⚠️ WARNUNG: Always use appropriate tools!

Attach the shown parts to your Adapter plate for STREET-RACK.

⚠️ NOTICE: Make sure that the locking mechanism of the adapter plate for SysBag and the lock bolt (2) are mounted opposite to each other! Tighten the screws as specified.



PRODUKTSPEZIFISCHE HINWEISE

⚠ HINWEIS: Beachten Sie die landesspezifischen Vorschriften für Zulassung/Betrieb Ihres Fahrzeugs bzw. anwendbare TÜV-Vorschriften. Lassen Sie eintragungspflichtige Teile nach Montage durch Ihre Prüfstelle in die Fahrzeugpapiere eintragen.

PRODUCT SPECIFIC INFORMATION

⚠ NOTICE: Observe the country-specific regulations concerning vehicle registration/operation as well as TÜV regulations if applicable. If required, register installed parts in the vehicle documents through an appropriate inspection authority.

Art.-Nr. / Item No.: **SYS.00.006.10000*/B**

Revision: **01** · Datum / Date: **07 - 2023**

Adapterplatte für SysBag WP

Adapter plate for SysBag WP

DEUTSCH · Vielen Dank, dass Sie sich für dieses Premium-Produkt von SW-MOTECH entschieden haben. Bitte lesen und verstehen Sie alle Anweisungen, Sicherheitshinweise und Warnungen in dieser Anbauanleitung vor Montage und Nutzung des Produkts, um Verletzungen zu vermeiden. Dieses Produkt wurde für Fahrzeuge im Werkszustand entwickelt. Die Kompatibilität mit Original-Zubehörteilen bzw. den Zubehörteilen anderer Hersteller kann nicht gewährleistet werden. Besuchen Sie unseren Webshop für weitere Informationen wie Modellzuweisungen und PDF-Anbauanleitung. Erforderliche Dokumente (z. B. ABE) stehen als Download zur Verfügung. Bewahren Sie diese Anbauanleitung als Referenz auf.

SW-MOTECH übernimmt keine Haftung für Schäden, die durch eine unsachgemäße Montage und/oder Wartung verursacht wurden!

SICHERHEITSWARNUNGSSYMBOL

⚠ Dieses Warnsymbol wird in dieser Anbauanleitung verwendet, um vor tödlichen Gefahren, Verletzungen oder anderen Gefahren zu warnen. Die Wörter **GEFAHR**, **WARNUNG** oder **VORSICHT** werden mit diesem Warnsymbol verwendet, um wichtige Sicherheitshinweise und Informationen in Bezug auf die Montage und Nutzung dieses Produkts zu übermitteln. Diese Wörter zusammen mit dem Sicherheitswarnsymbol bedeuten:

⚠ GEFAHR: Weist auf eine gefährliche Situation hin, die zum Tod oder zu schweren Verletzungen führt, wenn sie nicht vermieden wird!

⚠ WARNUNG: Weist auf eine gefährliche Situation hin, die zum Tod oder zu schweren Verletzungen führen kann, wenn sie nicht vermieden wird!

⚠ VORSICHT: Weist auf eine gefährliche Situation hin, die zu leichten oder mittelschweren Verletzungen führen kann, wenn sie nicht vermieden wird!

⚠ HINWEIS: Wichtige Informationen, jedoch nicht in Bezug auf Todes- oder Verletzungsgefahr (nur Sachschäden)!

⚠ WARNUNG: Die Montage und/oder Wartung dieses Produkts erfordert fortgeschrittene technische Fähigkeiten, passende Werkzeuge und ein gutes Verständnis der Werkzeugnutzung und Drehmomentangaben. Zu Ihrer Sicherheit empfiehlt SW-MOTECH, die Montage und/oder Wartung von einem qualifizierten und zertifizierten Zweiradmechaniker durchführen zu lassen.

⚠ WARNUNG: Wenn Sie sich für die Eigenmontage dieses Produkts entscheiden, lesen Sie vor Montage und Nutzung die Anbauanleitung sorgfältig und vollständig durch und befolgen Sie alle Anweisungen, um schwere oder tödliche Verletzungen zu vermeiden. Beachten Sie bei der Montage und Verwendung auch alle relevanten Informationen im Fahrzeughandbuch. **WENN SIE EINEN TEIL DIESER ANBAUANLEITUNG NICHT VERSTEHEN ODER EINE ERKLÄRUNG EINER ANWEISUNG BENÖTIGEN, VERSUCHEN SIE NICHT, DIESES PRODUKT ZU MONTIEREN OHNE SW-MOTECH UM HILFE ZU FRAGEN.**

VORBEREITUNG: Lesen Sie die Anbauanleitung aufmerksam und stellen Sie sicher, dass alle Teile der Stückliste vorhanden sind.

⚠ VORSICHT: Achten Sie auf den sicheren Stand Ihres Fahrzeugs. Schalten Sie den Motor ab und ziehen Sie den Zündschlüssel. Den Motor/Auspuff bei Bedarf abkühlen lassen. Klemmen Sie die Batterie bei Arbeiten an der Elektrik ab. Verwenden Sie geeignetes Werkzeug und tragen Sie immer eine Schutzbrille und Handschuhe. Lassen Sie sich von einer zweiten Person helfen.

MONTAGE: Alle vom Fahrzeug entfernten Teile und Verbindungen müssen gemäß den Angaben des Fahrzeugherstellers wieder eingebaut oder durch von SW-MOTECH gelieferte Teile und Hardware ersetzt werden.

⚠ WARNUNG: Sichern Sie alle Gewinde, sofern nicht anders angegeben, mit mittelstarker, flüssiger Schraubensicherung. Von SW-MOTECH nicht definierte Drehmomentspezifikationen müssen vom Fahrzeughersteller oder von einer zertifizierten Motorradwerkstatt bezogen werden!

FUNKTIONSKONTROLLE: Stellen Sie nach der Montage sicher, dass keine beweglichen Teile blockiert und die Funktion des Fahrzeugs nicht gestört wird. Kabel und Schläuche dürfen nicht scheuern und/oder geklemmt werden.

⚠ WARNUNG: Führen Sie vor Fahrtbeginn eine umfassende Funktionskontrolle durch. Prüfen Sie nach den ersten 50 km und dann regelmäßig das Anzugsmoment aller Verbindungen und den festen Sitz des Produkts. Montiertes Zubehör kann Fahrverhalten/Stabilität des Fahrzeugs verändern.

ENGLISH · Thank you for choosing this premium product from SW-MOTECH. Please carefully read and understand all instructions, safety messages and warnings in this mounting instructions prior to installation and use of this product to avoid injury.

This product was developed for vehicles in their factory setting. Compatibility with original accessory parts or other manufacturers' accessory parts is not guaranteed. Visit our webshop for additional information, such as application charts and PDF mounting instructions. Any other documents that may be required (e.g. ABE certifications), are also available for download at our webshop. Keep these mounting instructions as reference.

SW-MOTECH assumes no liability for damage caused by improper installation and/or maintenance work!

SAFETY ALERT SYMBOL

⚠ This safety alert symbol is used throughout these mounting instructions to warn of the possibility of death, bodily injury or other warnings. The words **DANGER**, **WARNING** and **CAUTION** are used with this safety alert symbol to convey important safety messages and information related to the installation and use of this product. These words along with the safety alert symbol mean:

⚠ DANGER: Indicates a hazardous situation that, if not avoided, will result in death or serious injury!

⚠ WARNING: Indicates a hazardous situation that, if not avoided, could result in death or serious injury!

⚠ CAUTION: Indicates a hazardous situation that, if not avoided, could result in minor or moderate injury!

⚠ NOTICE: Important information, but not death or injury related (property damage only)!

⚠ WARNING: The installation and/or maintenance of this product requires advanced mechanical skills, the proper tools, and a thorough understanding of tool use and torque specifications.

For your own safety, SW-MOTECH recommends having installation and/or maintenance carried out by a qualified and certified motorcycle mechanic.

⚠ WARNING: Should you choose to self-install this product, carefully and completely read all intallation and safety instructions before installation and use, and follow all the directions and safety precautions given in the mounting instructions to avoid serious injury or death. Also pay attention to all relevant information in the vehicle manual during intallation and use. **IF YOU DO NOT UNDERSTAND ANY PART OF THESE INSTRUCTIONS, OR NEED CLARIFICATION OF ANY INSTRUCTION, DO NOT ATTEMPT TO MOUNT THIS PRODUCT WITHOUT CONTACTING SW-MOTECH FOR ASSISTANCE.**

PREPARATION: Read the mounting instructions carefully and make sure that all items of the parts list are included.

⚠ CAUTION: Make sure that your vehicle is parked safely and cannot fall over. Turn off the engine and remove the ignition key. Let the engine/exhaust cool off if necessary. Disconnect the vehicle battery when working on the electrical system. Use appropriate tools and wear always safety glasses and hand protection. Have another person help you.

MOUNTING: All parts and connections removed from the vehicle must be reinstalled in accordance with the vehicle manufacturer specifications or replaced by parts and hardware delivered by SW-MOTECH.

⚠ WARNING: Secure all threads, unless otherwise specified, with medium-strong strength liquid thread locker. Torque specifications undefined by SW-MOTECH must be obtained from the vehicle manufacturer or by a certified motorcycle workshop!

FUNCTION CHECK: After installation also make sure that no moving parts are obstructed, and function of the vehicle is not hindered in any way. Cables and hoses must not rub and/or be pinched.

⚠ WARNING: Before starting to ride, perform a comprehensive check of all functions. After the first 50 km and then at regular intervals, check the tightening torque of all connections and the proper fit of the product. Installed accessories can change driving behavior/stability of the vehicle.

Konfektionierung durch / Packed by:

Datum der Konfektionierung / Date of packaging:



SW-MOTECH GmbH & Co. KG
Ernteweg 7-10
35282 Rauschenberg
Germany

Tel. / phone + 49 (0)6425 / 8168 - 050
Fax / fax + 49 (0)6425 / 8168 - 10
info@sw-motech.com
www.sw-motech.com

STÜCKLISTE - ANBAUANLEITUNG LESEN UND AUFBEWAHREN / PARTS LIST - READ AND SAVE THESE MOUNTING INSTRUCTIONS

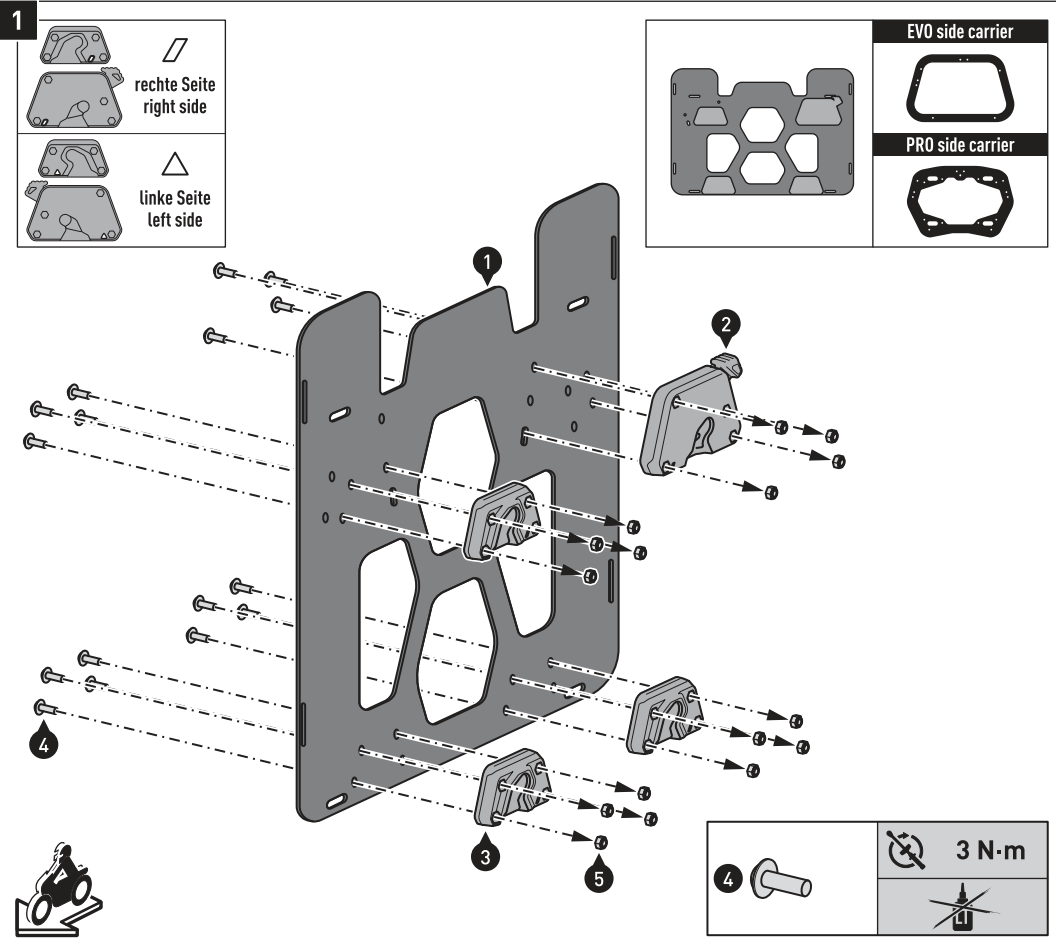
Schritt Step	Nr. No.	Art.-Nr. / Bezeichnung ^a Item No. / Description ^a	Artikel	Part	Anzahl ^b Quantity ^b	N·m ^c
		SYS.00.006.10000R/B	Adapterplatte für SysBag WP L rechts	Adapter Plate for SysBag WP L right		
1	(1)	SYS.00.006.001	Adapterplatte	Adapter Plate	1 /1	
	(2)	HTA.00.864.500.01	Verschlussmechanismus; rechts	Locking Mechanism; right	1 /1	
	(3)	HTA.00.864.011	Arretierungsaufnahme; rechts	Locking Adapter; right	3 /3	
	(4)	M5 x 16; ISO 7380	Linsenkopfschraube; schwarz	Lenshead Screw; black	16 /16	3
	(5)	M5; DIN 985	Mutter, selbstsichernd	Lock Nut	16 /16	
		SYS.00.006.10000L/B	Adapterplatte für SysBag WP L links	Adapter Plate for SysBag WP L left		
1	(1)	SYS.00.006.001	Adapterplatte	Adapter Plate	1 /1	
	(2)	HTA.00.864.500.02	Verschlussmechanismus; links	Locking Mechanism; left	1 /1	
	(3)	HTA.00.864.014	Arretierungsaufnahme; links	Locking Adapter; left	3 /3	
	(4)	M5 x 16; ISO 7380	Linsenkopfschraube; schwarz	Lenshead Screw; black	16 /16	3
	(5)	M5; DIN 985	Mutter, selbstsichernd	Lock Nut	16 /16	

8.8	Regelgewinde / Coarse Thread Ø	M4	M5	M6	M8	M10	M12	10.9	Regelgewinde / Coarse Thread Ø	M4	M5	M6	M8	M10	M12
	Stahl FK 8.8 / Steel CL 8.8	N·m	2,8	5,5	9,6	23	46		79	Stahl FK 10.9 / Steel CL 10.9	N·m	4,1	8,1	14	34

Anmerkungen: ^a Alle Maßangaben in Millimeter. ^b Der zweite Wert gibt die Gesamtanzahl des jew. Artikels in der Lieferung an. ^c **Keine Anzugsmomentvorgabe: Verwenden Sie das vom Fzg.-Hersteller definierte Anzugsmoment!** Das Std.-Anzugsmoment der Tabelle kann verwendet werden, wenn es den Fzg.-Hersteller-Vorgaben entspricht.

Note: ^a All measurements in millimeters. ^b The second number indicates the total quantity of the part in the delivery. ^c **No torque specifications: Use the torque defined by vehicle manufacturer!** The standard torque in this table can be used as long as it is within the vehicle manufacturer's specifications.





⚠️ WARNUNG: Tragen Sie immer Augen- und Handschutz!

⚠️ WARNUNG: Verwenden Sie immer geeignetes Werkzeug!

⚠️ HINWEIS: Die Montageschritte [1] bis [3] zeigen die Montage der rechten Adapterplatte. Montieren Sie den Adapter der linken Seite auf die gleiche Weise.

⚠️ VORSICHT: Achten Sie auf die Markierungen (Parallelogramm oder Dreieck), welche die jeweilige Montageseite definieren (siehe Detailzeichnung oben rechts)!

Verschrauben Sie die Teile (2) bis (5) an der Adapterplatte (1). Ziehen Sie die Schrauben wie vorgegeben an.

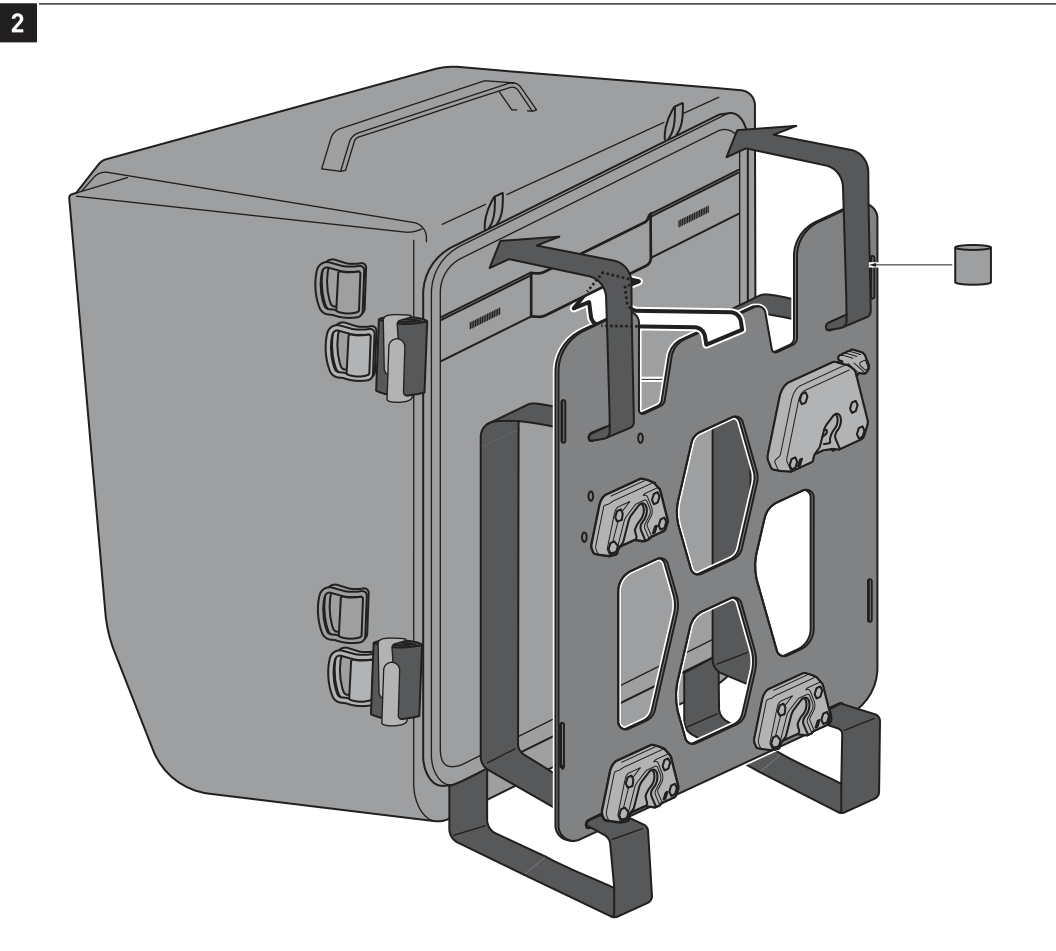
⚠️ WARNUNG: Always wear eye and hand protection!

⚠️ WARNUNG: Always use appropriate tools!

⚠️ NOTICE: The mounting steps [1] to [3] show the mounting of the right adapter plate. Mount the adapter of the left side in the same way.

⚠️ CAUTION: Pay attention to the markings (parallelogram or triangle) which define the respective mounting side (see detail drawing on the top right side)!

Attach the parts (2) to (5) to the adapter plate (1). Tighten the screws as specified.



Verschleifen Sie die Adapterplatte zunächst locker mit den vertikalen Gurten an der SysBag.

Schieben Sie dabei die mittlere Nase der Adapterplatte unter die gezeigte Lasche am Taschenrücken.

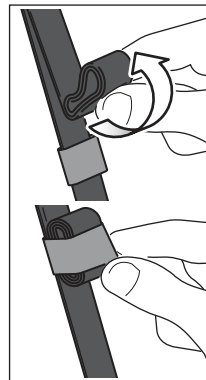
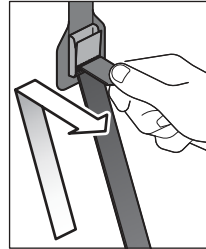
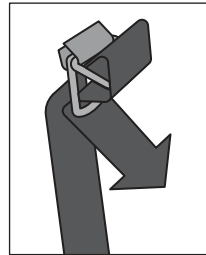
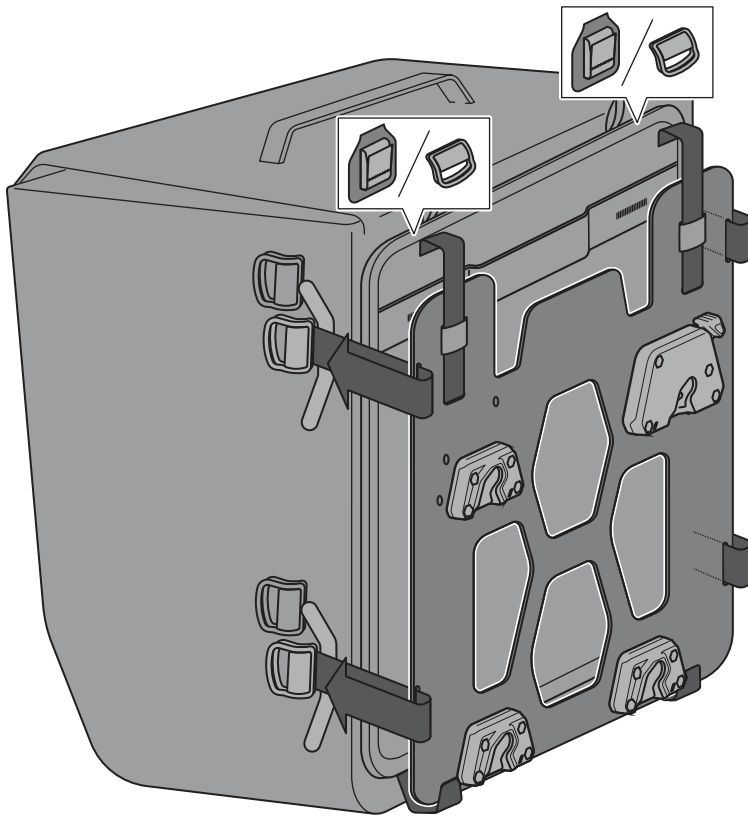
Schieben Sie vor dem Verschleifen an den Befestigungselementen, die Gummischlaufen über die Gurte.

First loosely loop the adapter plate with the vertical straps on the SysBag.

In doing so, push the middle lug of the adapter plate under the tab shown on the back of the bag.

Before looping through the fasteners, slide the rubber loops over the straps.

3



Führen Sie die seitlichen Gurte durch die Schlitzte der Adapterplatte und ziehen Sie dann alle Gurte straff. Achten Sie dabei auf den festen Sitz der Adapterplatte.

Verschlaufen Sie nun die Gurte an den jeweiligen Befestigungselementen, wie in den oberen Detailzeichnungen gezeigt.

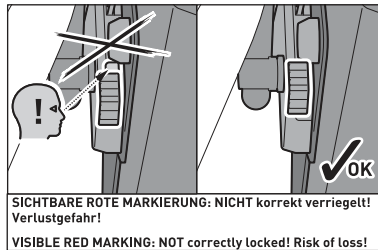
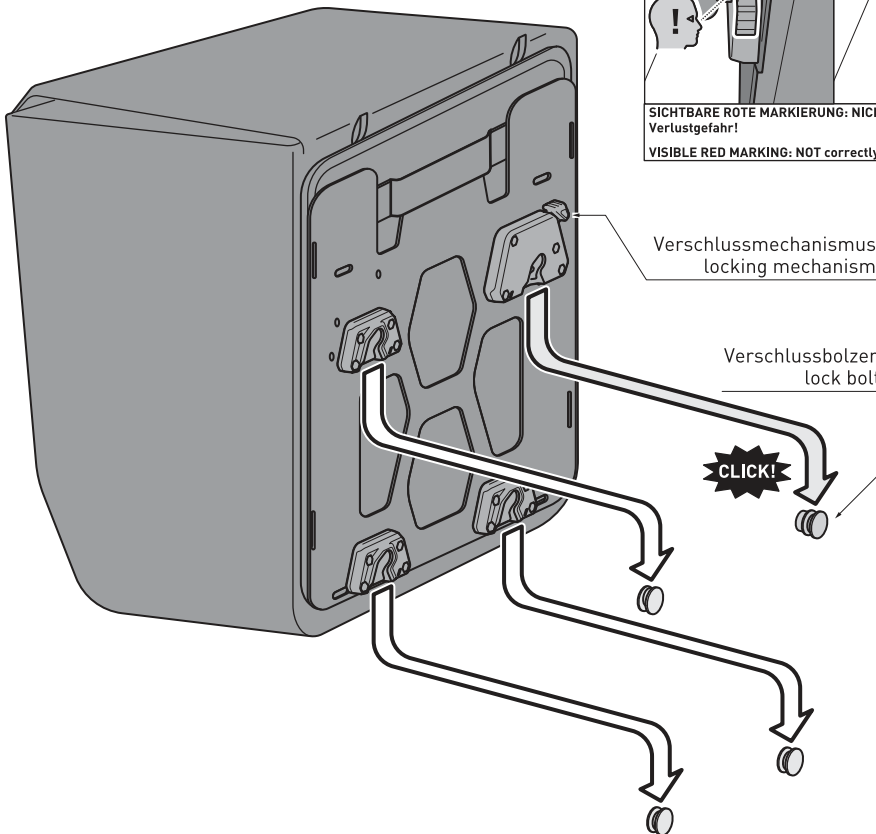
Sichern Sie die Überlängen der Gurte mit den Gummischlaufen bzw. den Klettbindern, wie in der unteren Detailzeichnung gezeigt.

Guide the side straps through the slits in the adapter plate and then pull all straps tight. Make sure that the adapter plate is firmly seated.

Now loop the straps on the respective fasteners, as shown in the upper detail drawings.

Secure the excess lengths of the straps with the rubber loops, respectively the velcro straps, as shown in the lower detail drawing.

4



Verschlussmechanismus
locking mechanism

Verschlussbolzen
lock bolt

CLICK!

Setzen Sie die Arretierungsöffnungen des Verschlussmechanismus und der Arretierungsaufnahme auf die Führungsbolzen des Adapterkit für SysBag (separat erhältlich).

Drücken Sie anschließend Ihre SysBag auf die Führungsbolzen, bis diese fest an Ihrem SW-MOTECH Trägersystem sitzt.

⚠️ WARNUNG: Achten Sie darauf, dass alle Führungsbolzen des Adapterkit für SysBag gleichzeitig einrasten! Achten Sie außerdem auf das deutlich hörbare Einrastgeräusch des Verschlussmechanismus und das die rote Markierung unter dem Schieber nicht sichtbar ist!

Drücken Sie zum Entriegeln den Schieber nach unten.

Place the locking openings of the locking mechanism and the locking adapter onto the guide bolts of the adapter kit for SysBag (sold separately).

Then press the SysBag onto the guide bolts, until it properly rests on your SW-MOTECH carrier system.

⚠️ WARNING: Make sure that all guide bolts of the adapter kit for SysBag engage at the same time! Pay attention to the clearly audible snap sound of the locking mechanism and that the red marking under the slider is not visible!

To release press the slider downward.

PRODUKTSPEZIFISCHE HINWEISE

⚠ HINWEIS: Beachten Sie die landesspezifischen Vorschriften für Zulassung/Betrieb Ihres Fahrzeugs bzw. anwendbare TÜV-Vorschriften. Lassen Sie eintragungspflichtige Teile nach Montage durch Ihre Prüfstelle in die Fahrzeugpapiere eintragen.

PRODUCT SPECIFIC INFORMATION

⚠ NOTICE: Observe the country-specific regulations concerning vehicle registration/operation as well as TÜV regulations if applicable. If required, register installed parts in the vehicle documents through an appropriate inspection authority.

Art.-Nr. / Item No.: **SYS.00.006.10000*/B**

Revision: **01** · Datum / Date: **07 - 2023**

Adapterplatte für SysBag WP

Adapter plate for SysBag WP

DEUTSCH · Vielen Dank, dass Sie sich für dieses Premium-Produkt von SW-MOTECH entschieden haben. Bitte lesen und verstehen Sie alle Anweisungen, Sicherheitshinweise und Warnungen in dieser Anbauanleitung vor Montage und Nutzung des Produkts, um Verletzungen zu vermeiden. Dieses Produkt wurde für Fahrzeuge im Werkzustand entwickelt. Die Kompatibilität mit Original-Zubehörteilen bzw. den Zubehörteilen anderer Hersteller kann nicht gewährleistet werden. Besuchen Sie unseren Webshop für weitere Informationen wie Modellzuweisungen und PDF-Anbauanleitung. Erforderliche Dokumente (z. B. ABE) stehen als Download zur Verfügung. Bewahren Sie diese Anbauanleitung als Referenz auf.

SW-MOTECH übernimmt keine Haftung für Schäden, die durch eine unsachgemäße Montage und/oder Wartung verursacht wurden!

SICHERHEITSWARNUNGSSYMBOL

⚠ Dieses Warnsymbol wird in dieser Anbauanleitung verwendet, um vor tödlichen Gefahren, Verletzungen oder anderen Gefahren zu warnen. Die Wörter **GEFAHR**, **WARNUNG** oder **VORSICHT** werden mit diesem Warnsymbol verwendet, um wichtige Sicherheitshinweise und Informationen in Bezug auf die Montage und Nutzung dieses Produkts zu übermitteln. Diese Wörter zusammen mit dem Sicherheitswarnsymbol bedeuten:

⚠ GEFAHR: Weist auf eine gefährliche Situation hin, die zum Tod oder zu schweren Verletzungen führt, wenn sie nicht vermieden wird!

⚠ WARNUNG: Weist auf eine gefährliche Situation hin, die zum Tod oder zu schweren Verletzungen führen kann, wenn sie nicht vermieden wird!

⚠ VORSICHT: Weist auf eine gefährliche Situation hin, die zu leichten oder mittelschweren Verletzungen führen kann, wenn sie nicht vermieden wird!

⚠ HINWEIS: Wichtige Informationen, jedoch nicht in Bezug auf Todes- oder Verletzungsgefahr (nur Sachschäden)!

⚠ WARNUNG: Die Montage und/oder Wartung dieses Produkts erfordert fortgeschrittene technische Fähigkeiten, passende Werkzeuge und ein gutes Verständnis der Werkzeugnutzung und Drehmomentangaben. Zu Ihrer Sicherheit empfiehlt SW-MOTECH, die Montage und/oder Wartung von einem qualifizierten und zertifizierten Zweiradmechaniker durchführen zu lassen.

⚠ WARNUNG: Wenn Sie sich für die Eigenmontage dieses Produkts entscheiden, lesen Sie vor Montage und Nutzung die Anbauanleitung sorgfältig und vollständig durch und befolgen Sie alle Anweisungen, um schwere oder tödliche Verletzungen zu vermeiden. Beachten Sie bei der Montage und Verwendung auch alle relevanten Informationen im Fahrzeughandbuch. **WENN SIE EINEN TEIL DIESER ANBAUANLEITUNG NICHT VERSTEHEN ODER EINE ERKLÄRUNG EINER ANWEISUNG BENÖTIGEN, VERSUCHEN SIE NICHT, DIESES PRODUKT ZU MONTIEREN OHNE SW-MOTECH UM HILFE ZU FRAGEN.**

VORBEREITUNG: Lesen Sie die Anbauanleitung aufmerksam und stellen Sie sicher, dass alle Teile der Stückliste vorhanden sind.

⚠ VORSICHT: Achten Sie auf den sicheren Stand Ihres Fahrzeugs. Schalten Sie den Motor ab und ziehen Sie den Zündschlüssel. Den Motor/Auspuff bei Bedarf abkühlen lassen. Klemmen Sie die Batterie bei Arbeiten an der Elektrik ab. Verwenden Sie geeignetes Werkzeug und tragen Sie immer eine Schutzbrille und Handschuhe. Lassen Sie sich von einer zweiten Person helfen.

MONTAGE: Alle vom Fahrzeug entfernten Teile und Verbindungen müssen gemäß den Angaben des Fahrzeugherstellers wieder eingebaut oder durch von SW-MOTECH gelieferte Teile und Hardware ersetzt werden.

⚠ WARNUNG: Sichern Sie alle Gewinde, sofern nicht anders angegeben, mit mittelstarker, flüssiger Schraubensicherung. Von SW-MOTECH nicht definierte Drehmomentspezifikationen müssen vom Fahrzeughersteller oder von einer zertifizierten Motorradwerkstatt bezogen werden!

FUNKTIONSKONTROLLE: Stellen Sie nach der Montage sicher, dass keine beweglichen Teile blockiert und die Funktion des Fahrzeugs nicht gestört wird. Kabel und Schläuche dürfen nicht scheuern und/oder geklemmt werden.

⚠ WARNUNG: Führen Sie vor Fahrtbeginn eine umfassende Funktionskontrolle durch. Prüfen Sie nach den ersten 50 km und dann regelmäßig das Anzugsmoment aller Verbindungen und den festen Sitz des Produkts. Montiertes Zubehör kann Fahrverhalten/Stabilität des Fahrzeugs verändern.

ENGLISH · Thank you for choosing this premium product from SW-MOTECH. Please carefully read and understand all instructions, safety messages and warnings in this mounting instructions prior to installation and use of this product to avoid injury.

This product was developed for vehicles in their factory setting. Compatibility with original accessory parts or other manufacturers' accessory parts is not guaranteed. Visit our webshop for additional information, such as application charts and PDF mounting instructions. Any other documents that may be required (e.g. ABE certifications), are also available for download at our webshop. Keep these mounting instructions as reference.

SW-MOTECH assumes no liability for damage caused by improper installation and/or maintenance work!

SAFETY ALERT SYMBOL

⚠ This safety alert symbol is used throughout these mounting instructions to warn of the possibility of death, bodily injury or other warnings. The words **DANGER**, **WARNING** and **CAUTION** are used with this safety alert symbol to convey important safety messages and information related to the installation and use of this product. These words along with the safety alert symbol mean:

⚠ DANGER: Indicates a hazardous situation that, if not avoided, will result in death or serious injury!

⚠ WARNING: Indicates a hazardous situation that, if not avoided, could result in death or serious injury!

⚠ CAUTION: Indicates a hazardous situation that, if not avoided, could result in minor or moderate injury!

⚠ NOTICE: Important information, but not death or injury related (property damage only)!

⚠ WARNING: The installation and/or maintenance of this product requires advanced mechanical skills, the proper tools, and a thorough understanding of tool use and torque specifications.

For your own safety, SW-MOTECH recommends having installation and/or maintenance carried out by a qualified and certified motorcycle mechanic.

⚠ WARNING: Should you choose to self-install this product, carefully and completely read all intallation and safety instructions before installation and use, and follow all the directions and safety precautions given in the mounting instructions to avoid serious injury or death. Also pay attention to all relevant information in the vehicle manual during intallation and use. **IF YOU DO NOT UNDERSTAND ANY PART OF THESE INSTRUCTIONS, OR NEED CLARIFICATION OF ANY INSTRUCTION, DO NOT ATTEMPT TO MOUNT THIS PRODUCT WITHOUT CONTACTING SW-MOTECH FOR ASSISTANCE.**

PREPARATION: Read the mounting instructions carefully and make sure that all items of the parts list are included.

⚠ CAUTION: Make sure that your vehicle is parked safely and cannot fall over. Turn off the engine and remove the ignition key. Let the engine/exhaust cool off if necessary. Disconnect the vehicle battery when working on the electrical system. Use appropriate tools and wear always safety glasses and hand protection. Have another person help you.

MOUNTING: All parts and connections removed from the vehicle must be reinstalled in accordance with the vehicle manufacturer specifications or replaced by parts and hardware delivered by SW-MOTECH.

⚠ WARNING: Secure all threads, unless otherwise specified, with medium-strong strength liquid thread locker. Torque specifications undefined by SW-MOTECH must be obtained from the vehicle manufacturer or by a certified motorcycle workshop!

FUNCTION CHECK: After installation also make sure that no moving parts are obstructed, and function of the vehicle is not hindered in any way. Cables and hoses must not rub and/or be pinched.

⚠ WARNING: Before starting to ride, perform a comprehensive check of all functions. After the first 50 km and then at regular intervals, check the tightening torque of all connections and the proper fit of the product. Installed accessories can change driving behavior/stability of the vehicle.

Konfektionierung durch / Packed by:

Datum der Konfektionierung / Date of packaging:



SW-MOTECH GmbH & Co. KG
Ernteweg 7-10
35282 Rauschenberg
Germany

Tel. / phone + 49 (0)6425 / 8168 - 050
Fax / fax + 49 (0)6425 / 8168 - 10
info@sw-motech.com
www.sw-motech.com

STÜCKLISTE - ANBAUANLEITUNG LESEN UND AUFBEWAHREN / PARTS LIST - READ AND SAVE THESE MOUNTING INSTRUCTIONS

Schritt Step	Nr. No.	Art.-Nr. / Bezeichnung ^a Item No. / Description ^a	Artikel	Part	Anzahl ^b Quantity ^b	N·m ^c
		SYS.00.006.10000R/B	Adapterplatte für SysBag WP L rechts	Adapter Plate for SysBag WP L right		
1	(1)	SYS.00.006.001	Adapterplatte	Adapter Plate	1 /1	
	(2)	HTA.00.864.500.01	Verschlussmechanismus; rechts	Locking Mechanism; right	1 /1	
	(3)	HTA.00.864.011	Arretierungsaufnahme; rechts	Locking Adapter; right	3 /3	
	(4)	M5 x 16; ISO 7380	Linsenkopfschraube; schwarz	Lenshead Screw; black	16 /16	3
	(5)	M5; DIN 985	Mutter, selbstsichernd	Lock Nut	16 /16	
		SYS.00.006.10000L/B	Adapterplatte für SysBag WP L links	Adapter Plate for SysBag WP L left		
1	(1)	SYS.00.006.001	Adapterplatte	Adapter Plate	1 /1	
	(2)	HTA.00.864.500.02	Verschlussmechanismus; links	Locking Mechanism; left	1 /1	
	(3)	HTA.00.864.014	Arretierungsaufnahme; links	Locking Adapter; left	3 /3	
	(4)	M5 x 16; ISO 7380	Linsenkopfschraube; schwarz	Lenshead Screw; black	16 /16	3
	(5)	M5; DIN 985	Mutter, selbstsichernd	Lock Nut	16 /16	

8.8	Regelgewinde / Coarse Thread Ø	M4	M5	M6	M8	M10	M12	10.9	Regelgewinde / Coarse Thread Ø	M4	M5	M6	M8	M10	M12
	Stahl FK 8.8 / Steel CL 8.8	N·m	2,8	5,5	9,6	23	46		79	Stahl FK 10.9 / Steel CL 10.9	N·m	4,1	8,1	14	34

Anmerkungen: ^a Alle Maßangaben in Millimeter. ^b Der zweite Wert gibt die Gesamtanzahl des jew. Artikels in der Lieferung an. ^c **Keine Anzugsmomentvorgabe: Verwenden Sie das vom Fzg.-Hersteller definierte Anzugsmoment!** Das Std.-Anzugsmoment der Tabelle kann verwendet werden, wenn es den Fzg.-Hersteller-Vorgaben entspricht.

Note: ^a All measurements in millimeters. ^b The second number indicates the total quantity of the part in the delivery. ^c **No torque specifications: Use the torque defined by vehicle manufacturer!** The standard torque in this table can be used as long as it is within the vehicle manufacturer's specifications.





⚠️ WARNUNG: Tragen Sie immer Augen- und Handschutz!

⚠️ WARNUNG: Verwenden Sie immer geeignetes Werkzeug!

⚠️ HINWEIS: Die Montageschritte [1] bis [3] zeigen die Montage der rechten Adapterplatte. Montieren Sie den Adapter der linken Seite auf die gleiche Weise.

⚠️ VORSICHT: Achten Sie auf die Markierungen (Parallelogramm oder Dreieck), welche die jeweilige Montageseite definieren (siehe Detailzeichnung oben rechts)!

Verschrauben Sie die Teile [2] bis [5] an der Adapterplatte [1]. Ziehen Sie die Schrauben wie vorgegeben an.

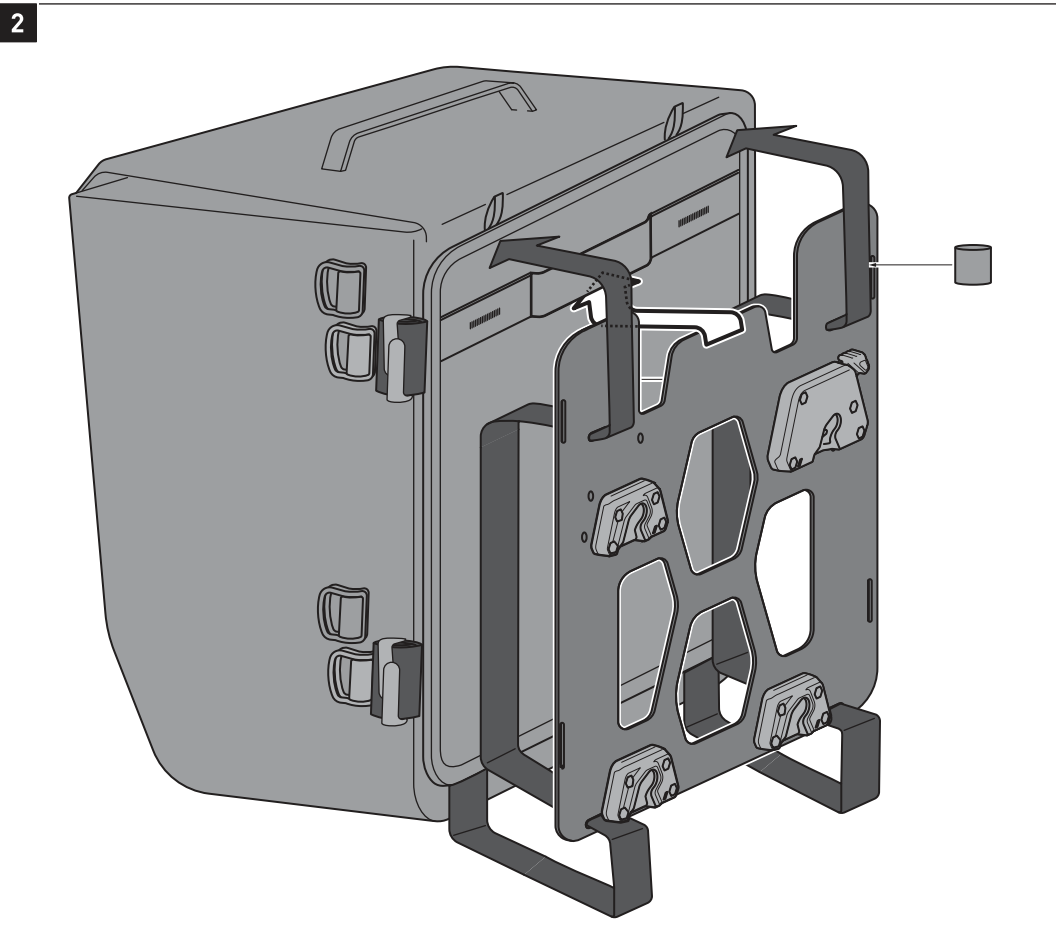
⚠️ WARNUNG: Always wear eye and hand protection!

⚠️ WARNUNG: Always use appropriate tools!

⚠️ NOTICE: The mounting steps [1] to [3] show the mounting of the right adapter plate. Mount the adapter of the left side in the same way.

⚠️ CAUTION: Pay attention to the markings (parallelogram or triangle) which define the respective mounting side (see detail drawing on the top right side)!

Attach the parts [2] to [5] to the adapter plate [1]. Tighten the screws as specified.



Verschleifen Sie die Adapterplatte zunächst locker mit den vertikalen Gurten an der SysBag.

Schieben Sie dabei die mittlere Nase der Adapterplatte unter die gezeigte Lasche am Taschenrücken.

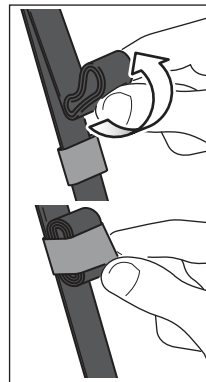
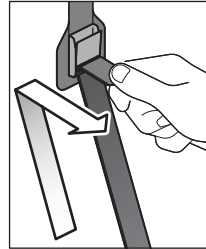
Schieben Sie vor dem Verschleifen an den Befestigungselementen, die Gummischlaufen über die Gurte.

First loosely loop the adapter plate with the vertical straps on the SysBag.

In doing so, push the middle lug of the adapter plate under the tab shown on the back of the bag.

Before looping through the fasteners, slide the rubber loops over the straps.

3



Führen Sie die seitlichen Gurte durch die Schlitz der Adapterplatte und ziehen Sie dann alle Gurte straff. Achten Sie dabei auf den festen Sitz der Adapterplatte.

Verschlaufen Sie nun die Gurte an den jeweiligen Befestigungselementen, wie in den oberen Detailzeichnungen gezeigt.

Sichern Sie die Überlängen der Gurte mit den Gummischlaufen bzw. den Klettbindern, wie in der unteren Detailzeichnung gezeigt.

Guide the side straps through the slits in the adapter plate and then pull all straps tight. Make sure that the adapter plate is firmly seated.

Now loop the straps on the respective fasteners, as shown in the upper detail drawings.

Secure the excess lengths of the straps with the rubber loops, respectively the velcro straps, as shown in the lower detail drawing.

4



Verschlussmechanismus
locking mechanism

Verschlussbolzen
lock bolt

CLICK!

Setzen Sie die Arretierungsöffnungen des Verschlussmechanismus und der Arretierungsaufnahme auf die Führungsbolzen des Adapterkit für SysBag (separat erhältlich).

Drücken Sie anschließend Ihre SysBag auf die Führungsbolzen, bis diese fest an Ihrem SW-MOTECH Trägersystem sitzt.

⚠️ WARNUNG: Achten Sie darauf, dass alle Führungsbolzen des Adapterkit für SysBag gleichzeitig einrasten! Achten Sie außerdem auf das deutlich hörbare Einrastgeräusch des Verschlussmechanismus und das die rote Markierung unter dem Schieber nicht sichtbar ist!

Drücken Sie zum Entriegeln den Schieber nach unten.

Place the locking openings of the locking mechanism and the locking adapter onto the guide bolts of the adapter kit for SysBag (sold separately).

Then press the SysBag onto the guide bolts, until it properly rests on your SW-MOTECH carrier system.

⚠️ WARNING: Make sure that all guide bolts of the adapter kit for SysBag engage at the same time! Pay attention to the clearly audible snap sound of the locking mechanism and that the red marking under the slider is not visible!

To release press the slider downward.

PRODUKTSPEZIFISCHE HINWEISE

⚠ HINWEIS: Beachten Sie die landesspezifischen Vorschriften für Zulassung/Betrieb Ihres Fahrzeugs bzw. anwendbare TÜV-Vorschriften. Lassen Sie eintragungspflichtige Teile nach Montage durch Ihre Prüfstelle in die Fahrzeugpapiere eintragen.

PRODUCT SPECIFIC INFORMATION

⚠ NOTICE: Observe the country-specific regulations concerning vehicle registration/operation as well as TÜV regulations if applicable. If required, register installed parts in the vehicle documents through an appropriate inspection authority.

Art.-Nr. / Item No.: siehe Stückliste / see parts list

Revision: 00 · Datum / Date: 04 - 2022

SysBag WP S / M / L Tasche

SysBag WP S / M / L

DEUTSCH · Vielen Dank, dass Sie sich für dieses Premium-Produkt von SW-MOTECH entschieden haben. Bitte lesen und verstehen Sie alle Anweisungen, Sicherheitshinweise und Warnungen in dieser Anbauanleitung vor Montage und Nutzung des Produkts, um Verletzungen zu vermeiden. Dieses Produkt wurde für Fahrzeuge im Werkzustand entwickelt. Die Kompatibilität mit Original-Zubehörteilen bzw. den Zubehörteilen anderer Hersteller kann nicht gewährleistet werden. Besuchen Sie unseren Webshop für weitere Informationen wie Modellzuweisungen und PDF-Anbauanleitung. Erforderliche Dokumente (z. B. ABE) stehen als Download zur Verfügung. Bewahren Sie diese Anbauanleitung als Referenz auf.

SW-MOTECH übernimmt keine Haftung für Schäden, die durch eine unsachgemäße Montage und/oder Wartung verursacht wurden!

SICHERHEITSWARNUNGSSYMBOL

⚠ Dieses Warnsymbol wird in dieser Anbauanleitung verwendet, um vor tödlichen Gefahren, Verletzungen oder anderen Gefahren zu warnen. Die Wörter **GEFAHR**, **WARNUNG** oder **VORSICHT** werden mit diesem Warnsymbol verwendet, um wichtige Sicherheitshinweise und Informationen in Bezug auf die Montage und Nutzung dieses Produkts zu übermitteln. Diese Wörter zusammen mit dem Sicherheitswarnsymbol bedeuten:

⚠ GEFAHR: Weist auf eine gefährliche Situation hin, die zum Tod oder zu schweren Verletzungen führt, wenn sie nicht vermieden wird!

⚠ WARNUNG: Weist auf eine gefährliche Situation hin, die zum Tod oder zu schweren Verletzungen führen kann, wenn sie nicht vermieden wird!

⚠ VORSICHT: Weist auf eine gefährliche Situation hin, die zu leichten oder mittelschweren Verletzungen führen kann, wenn sie nicht vermieden wird!

⚠ HINWEIS: Wichtige Informationen, jedoch nicht in Bezug auf Todes- oder Verletzungsgefahr (nur Sachschäden)!

⚠ WARNUNG: Die Montage und/oder Wartung dieses Produkts erfordert fortgeschrittene technische Fähigkeiten, passende Werkzeuge und ein gutes Verständnis der Werkzeugnutzung und Drehmomentangaben. Zu Ihrer Sicherheit empfiehlt SW-MOTECH, die Montage und/oder Wartung von einem qualifizierten und zertifizierten Zweiradmechaniker durchführen zu lassen.

⚠ WARNUNG: Wenn Sie sich für die Eigenmontage dieses Produkts entscheiden, lesen Sie vor Montage und Nutzung die Anbauanleitung sorgfältig und vollständig durch und befolgen Sie alle Anweisungen, um schwere oder tödliche Verletzungen zu vermeiden. Beachten Sie bei der Montage und Verwendung auch alle relevanten Informationen im Fahrzeughandbuch. **WENN SIE EINEN TEIL DIESER ANBAUANLEITUNG NICHT VERSTEHEN ODER EINE ERKLÄRUNG EINER ANWEISUNG BENÖTIGEN, VERSUCHEN SIE NICHT, DIESES PRODUKT ZU MONTIEREN OHNE SW-MOTECH UM HILFE ZU FRAGEN.**

VORBEREITUNG: Lesen Sie die Anbauanleitung aufmerksam und stellen Sie sicher, dass alle Teile der Stückliste vorhanden sind.

⚠ VORSICHT: Achten Sie auf den sicheren Stand Ihres Fahrzeugs. Schalten Sie den Motor ab und ziehen Sie den Zündschlüssel. Den Motor/Auspuff bei Bedarf abkühlen lassen. Klemmen Sie die Batterie bei Arbeiten an der Elektrik ab. Verwenden Sie geeignetes Werkzeug und tragen Sie immer eine Schutzbrille und Handschuhe. Lassen Sie sich von einer zweiten Person helfen.

MONTAGE: Alle vom Fahrzeug entfernten Teile und Verbindungen müssen gemäß den Angaben des Fahrzeugherstellers wieder eingebaut oder durch von SW-MOTECH gelieferte Teile und Hardware ersetzt werden.

⚠ WARNUNG: Sichern Sie alle Gewinde, sofern nicht anders angegeben, mit mittelstarker, flüssiger Schraubensicherung. Von SW-MOTECH nicht definierte Drehmomentspezifikationen müssen vom Fahrzeughersteller oder von einer zertifizierten Motorradwerkstatt bezogen werden!

FUNKTIONSKONTROLLE: Stellen Sie nach der Montage sicher, dass keine beweglichen Teile blockiert und die Funktion des Fahrzeugs nicht gestört wird. Kabel und Schläuche dürfen nicht scheuern und/oder geklemmt werden.

⚠ WARNUNG: Führen Sie vor Fahrtbeginn eine umfassende Funktionskontrolle durch. Prüfen Sie nach den ersten 50 km und dann regelmäßig das Anzugsmoment aller Verbindungen und den festen Sitz des Produkts. Montiertes Zubehör kann Fahrverhalten/Stabilität des Fahrzeugs verändern.

ENGLISH · Thank you for choosing this premium product from SW-MOTECH. Please carefully read and understand all instructions, safety messages and warnings in this mounting instructions prior to installation and use of this product to avoid injury.

This product was developed for vehicles in their factory setting. Compatibility with original accessory parts or other manufacturers' accessory parts is not guaranteed. Visit our webshop for additional information, such as application charts and PDF mounting instructions. Any other documents that may be required (e.g. ABE certifications), are also available for download at our webshop. Keep these mounting instructions as reference.

SW-MOTECH assumes no liability for damage caused by improper installation and/or maintenance work!

SAFETY ALERT SYMBOL

⚠ This safety alert symbol is used throughout these mounting instructions to warn of the possibility of death, bodily injury or other warnings. The words **DANGER**, **WARNING** and **CAUTION** are used with this safety alert symbol to convey important safety messages and information related to the installation and use of this product. These words along with the safety alert symbol mean:

⚠ DANGER: Indicates a hazardous situation that, if not avoided, will result in death or serious injury!

⚠ WARNING: Indicates a hazardous situation that, if not avoided, could result in death or serious injury!

⚠ CAUTION: Indicates a hazardous situation that, if not avoided, could result in minor or moderate injury!

⚠ NOTICE: Important information, but not death or injury related (property damage only)!

⚠ WARNING: The installation and/or maintenance of this product requires advanced mechanical skills, the proper tools, and a thorough understanding of tool use and torque specifications.

For your own safety, SW-MOTECH recommends having installation and/or maintenance carried out by a qualified and certified motorcycle mechanic.

⚠ WARNING: Should you choose to self-install this product, carefully and completely read all intallation and safety instructions before installation and use, and follow all the directions and safety precautions given in the mounting instructions to avoid serious injury or death. Also pay attention to all relevant information in the vehicle manual during intallation and use. **IF YOU DO NOT UNDERSTAND ANY PART OF THESE INSTRUCTIONS, OR NEED CLARIFICATION OF ANY INSTRUCTION, DO NOT ATTEMPT TO MOUNT THIS PRODUCT WITHOUT CONTACTING SW-MOTECH FOR ASSISTANCE.**

PREPARATION: Read the mounting instructions carefully and make sure that all items of the parts list are included.

⚠ CAUTION: Make sure that your vehicle is parked safely and cannot fall over. Turn off the engine and remove the ignition key. Let the engine/exhaust cool off if necessary. Disconnect the vehicle battery when working on the electrical system. Use appropriate tools and wear always safety glasses and hand protection. Have another person help you.

MOUNTING: All parts and connections removed from the vehicle must be reinstalled in accordance with the vehicle manufacturer specifications or replaced by parts and hardware delivered by SW-MOTECH.

⚠ WARNING: Secure all threads, unless otherwise specified, with medium-strong strength liquid thread locker. Torque specifications undefined by SW-MOTECH must be obtained from the vehicle manufacturer or by a certified motorcycle workshop!

FUNCTION CHECK: After installation also make sure that no moving parts are obstructed, and function of the vehicle is not hindered in any way. Cables and hoses must not rub and/or be pinched.

⚠ WARNING: Before starting to ride, perform a comprehensive check of all functions. After the first 50 km and then at regular intervals, check the tightening torque of all connections and the proper fit of the product. Installed accessories can change driving behavior/stability of the vehicle.

Konfektionierung durch / Packed by:

Datum der Konfektionierung / Date of packaging:



SW-MOTECH GmbH & Co. KG
Ernteweg 7-10
35282 Rauschenberg
Germany

Tel. / phone + 49 (0)6425 / 8168 - 050
Fax / fax + 49 (0)6425 / 8168 - 10
info@sw-motech.com
www.sw-motech.com

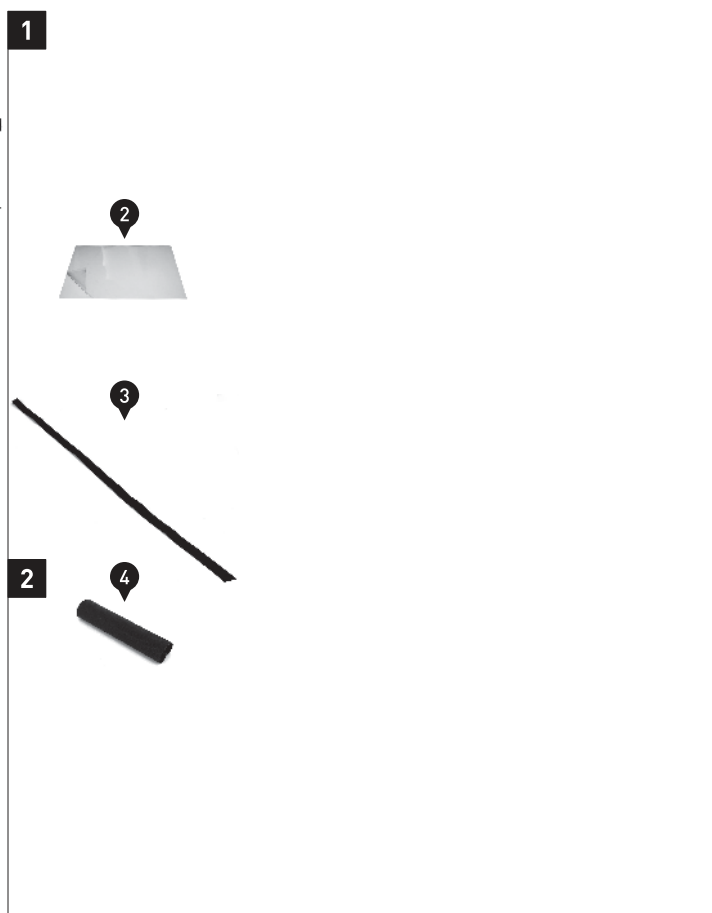
STÜCKLISTE - ANBAUANLEITUNG LESEN UND AUFBEWAHREN / PARTS LIST - READ AND SAVE THESE MOUNTING INSTRUCTIONS

Schritt Step	Nr. No.	Art.-Nr. / Bezeichnung ^a Item No. / Description ^a	Artikel	Part	Anzahl ^b Quantity ^b	N·m ^c
		BC.SYS.00.004.10000	SysBag WP S Tasche	SysBag WP S		
1	(1)	BC.SYS.00.004.10000	SysBag WP S Tasche	SysBag WP S	1 /1	
		BC.SYS.00.005.10000	SysBag WP M Tasche	SysBag WP M		
1	(1)	BC.SYS.00.005.10000	SysBag WP M Tasche	SysBag WP M	1 /1	
		BC.SYS.00.006.10000	SysBag WP L Tasche	SysBag WP L		
1	(1)	BC.SYS.00.006.10000	SysBag WP L Tasche	SysBag WP L	1 /1	
			Alle SysBags	all SysBags		
1	(2)	LSF.350.250	Lackschutzfolie	Adhesive Protection Foil	1 /1	
	(3)	BC.ZUB.00.134.30000	Schlaufgurt-Set (4 Stück)	Loop Strap Set (4 pieces)	1 /1	
2	(4)	BC.ZUB.00.135.30000	Antirutsch-Schlauch(4 Stück)	Anti Slip Hose (4 pieces)	1 /1	

8.8	Regelgewinde / Coarse Thread Ø						N·m	M4	M5	M6	M8	M10	M12	10.9	Regelgewinde / Coarse Thread Ø						N·m	M4	M5	M6	M8	M10	M12
	Stahl FK 8.8 / Steel CL 8.8	2,8	5,5	9,6	23	46									79	Stahl FK 10.9 / Steel CL 10.9	4,1	8,1	14	34							

Anmerkungen: ^a Alle Maßangaben in Millimeter. ^b Der zweite Wert gibt die Gesamtanzahl des jew. Artikels in der Lieferung an. ^c **Keine Anzugsmomentvorgabe: Verwenden Sie das vom Fzg.-Hersteller definierte Anzugsmoment!** Das Std.-Anzugsmoment der Tabelle kann verwendet werden, wenn es den Fzg.-Hersteller-Vorgaben entspricht.

Note: ^a All measurements in millimeters. ^b The second number indicates the total quantity of the part in the delivery. ^c **No torque specifications: Use the torque defined by vehicle manufacturer!** The standard torque in this table can be used as long as it is within the vehicle manufacturer's specifications.





BEFESTIGUNG AM FAHRZEUG

- ⚠ **WARNUNG:** Tragen Sie immer Augen- und Handschutz!
- ⚠ **WARNUNG:** Verwenden Sie immer geeignetes Werkzeug!
- ⚠ **WARNUNG:** Schützen Sie empfindliche Oberflächen im Auflagebereich der SysBag und der Befestigungsgurte mit der Lackschutzfolie (2) vor Kratzern!

Platzieren Sie die SysBag (1) im Heckbereich Ihres Fahrzeugs (z. B. Soziussitz, Gepäckträger etc.).

Verschlaufen Sie die Schlaufgurte (3) an geeigneten und belastbaren Befestigungspunkten des Fahrzeugs (z. B. Fußrastenaufnahme, Fahrzeugrahmen, Gepäckhaken etc.).

Verschlaufen Sie die Schlaufgurte (3) dann an den D-Ringen der SysBag (1). Ziehen Sie alle Befestigungsgurte an, bis die SysBag (1) zentriert und fest am Fahrzeug befestigt ist. Sichern Sie die Überlängen der Schlaufgurte (3) mit den Gummischlaufen.

FASTENING TO THE VEHICLE

- ⚠ **WARNING:** Always wear eye and hand protection!
- ⚠ **WARNING:** Always use appropriate tools!
- ⚠ **WARNING:** Protect sensitive surfaces in the area of the SysBag (1) and the fastening straps with the adhesive protection foil (2) from scratches!

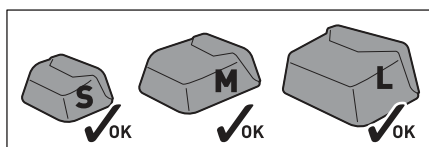
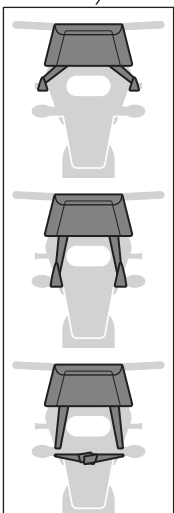
Place your SysBag (1) in the rear area of your vehicle (e.g. passenger seat, luggage rack etc.).

Entangle the loop straps (3) to appropriate and reliable attachment points of the vehicle (e.g. vehicles frame, footrest mounts, luggage hooks etc.).

Attach the loop straps (3) on both sides to the D-rings of the SysBag (1).

Tighten all loop straps until the SysBag (1) is centered and securely fastened to the vehicle.

Secure the overlength of the loop straps (3) with the rubber loops.



2



BEFESTIGUNG AM SW-MOTECH GEPÄCKTRÄGER

⚠ HINWEIS: Verwenden Sie optional die Antirutsch-Schläuche (4) auf den Gurten der SysBag (1) für besseren Halt der Sysbag am Gepäckträger.

Führen Sie die Gurte der SysBag (1) durch die gezeigten Öffnungen des Gepäckträgers.

Verschließen Sie die Gurte dann an den D-Ringen der SysBag, wie in der Detailzeichnung gezeigt.

Ziehen Sie alle Gurte fest, bis die SysBag mittig und sicher am Gepäckträger befestigt ist.

Sichern Sie die Überlänge der Gurte mit den Klettverschlüssen der Tasche.

⚠ HINWEIS: Wahlweise können die seitlichen Gurte der Tasche gekürzt werden. Schneiden Sie dazu den Gurt hinter einer der Nahtmarkierungen ab, wie in der oberen Detailzeichnung gezeigt.

Verschmelzen Sie dann die Schnittkante mit einem Feuerzug um Ausfransen zu vermeiden.

FASTENING TO THE SW-MOTECH LUGGAGE RACK

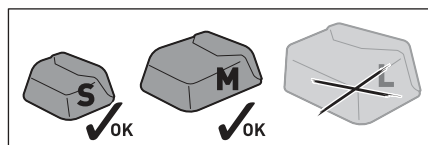
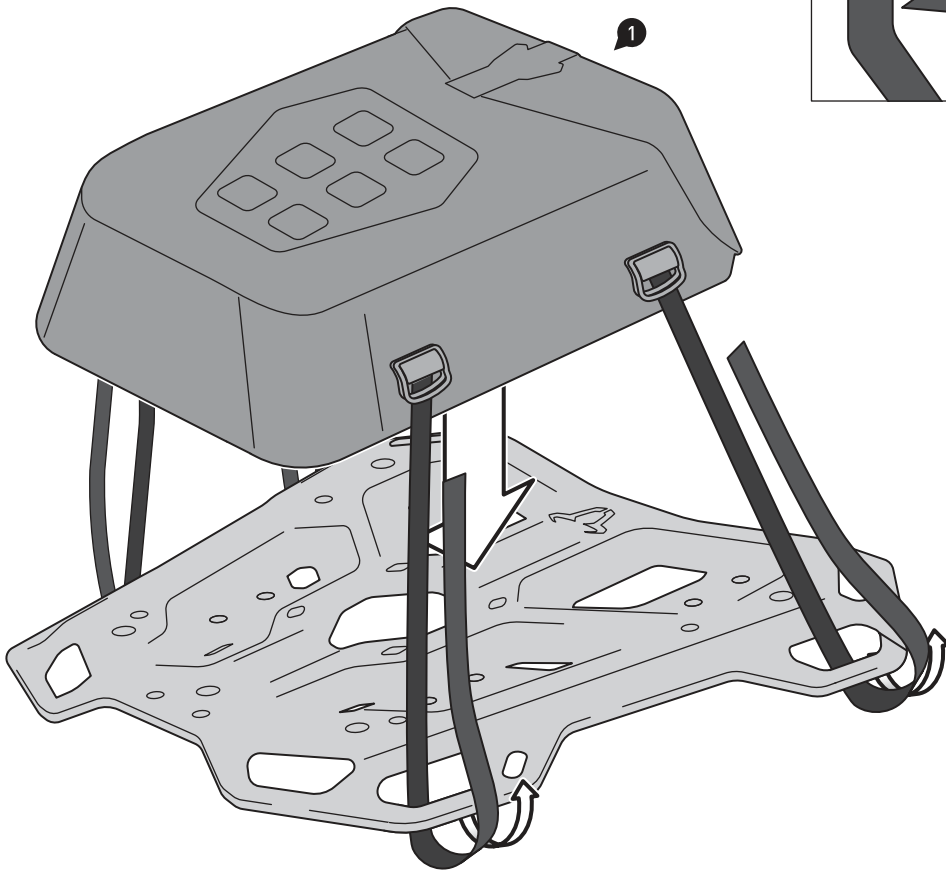
⚠ NOTICE: Optionally, use the antislip hoses (4) on the straps of the SysBag (1) to attach the SysBag more firm to the luggage carrier!

Run the straps of the SysBag (1) through the shown openings of the luggage rack. Attach them to the D-rings of the SysBag as shown in the detail drawing.

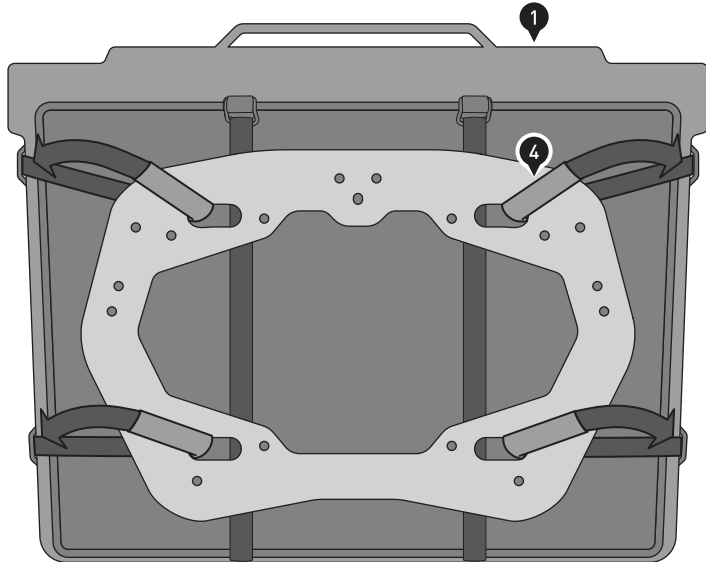
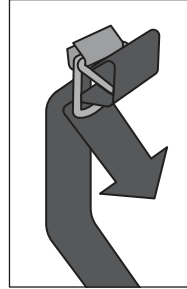
Tighten all straps until the SysBag is centered and securely fastened to the luggage rack.

Secure the overlength of the straps with the velcro fasteners of the SysBag.

⚠ NOTICE: Optionally, the side straps of the bag can be shortened. To do this, cut the strap behind one of the seam marks as shown in the detail drawing above. Then fuse the cut edge with a lighter to avoid fraying.



3



BEFESTIGUNG AN DIVERSEN SEITENRÄGERN

⚠️ WARNUNG: Verwenden Sie die Antirutsch-Schläuche (4) auf den Gurten des SysBag (1) für besseren Halt der Sysbag am Seitenträger!

Verschlaufen Sie die Gurte der SysBag (1) am Seitenträger.

Verschlaufen Sie die Gurte dann an den D-Ringen der SysBag, wie in der Detailzeichnung gezeigt. Ziehen Sie alle Befestigungsgurte an, bis die SysBag zentriert und fest am Seitenträger befestigt ist.

Sichern Sie die Überlängen der Gurte mit den Klettbindern an der SysBag.

⚠️ HINWEIS: Optional können die seitlichen Gurte der Tasche gekürzt werden. Schneiden Sie dazu den Gurt hinter einer der Nahtmarkierungen ab, wie in der oberen Detailzeichnung gezeigt.

Verschmelzen Sie dann die Schnittkante mit einem Feuerzug um Ausfransen zu vermeiden.

FASTENING TO VARIOUS SIDE CARRIERS

⚠️ WARNING: Use the antislip hoses (4) on the straps of the SysBag to attach the SysBag (1) more firm to the side carrier!

Loop the straps of the SysBag (1) on the side carrier.

Then loop the straps onto the D-rings of the SysBag, as shown in the detail drawing.

Tighten all straps until the SysBag is centered and firmly attached to the side rail.

Secure the excess lengths of the straps to the SysBag with its Velcro straps.

⚠️ NOTICE: Optionally, the side straps of the bag can be shortened. To do this, cut the strap behind one of the seam marks as shown in the detail drawing above.

Then fuse the cut edge with a lighter to avoid fraying.

4



Schlagen Sie die verstärkte Öffnung drei Mal um und schließen die Schnalle.
Verschließen Sie anschließend die SysBag (1) mit der Schnalle des Deckels.

Roll the reinforced opening three times and close the buckle.
Then close the SysBag (1) with the buckle of the lid.

BELADUNG

⚠️ WARNUNG: Achten Sie darauf, niemals scharfkantige, spitze oder ähnliche Gegenstände zu verstauen, welche Verletzungen an Personen bzw. Beschädigungen am Fahrzeug/SysBag verursachen könnten!

⚠️ WARNUNG: Achten Sie auf die gleichmäßige Verteilung der Ladung zwischen der linken und rechten SysBag! Stellen Sie sicher, dass die Ladung während der Fahrt gegen Verrutschen gesichert ist.

LOADING

⚠️ WARNUNG: Never store pointy or sharp-edged objects, which could cause injury to persons or damage to the vehicle/side case!

⚠️ WARNUNG: Make sure weight is evenly distributed between the left and right SysBag. Make sure that the loading is secured against shifting during the ride!



PFLEGE

Verwenden Sie zur Reinigung NUR eine weiche Textilbürste, ein Tuch oder Schwamm und warme Seifenlauge! Spülen Sie anschließend mit klarem Wasser nach.

Verwenden Sie KEINE scharfen Reinigungsmittel, raue Putzutensilien oder einen Hochdruckreiniger! Reinigen Sie die SysBag unbedingt nach Winterfahrten, um Schäden durch das Salz zu vermeiden.

CARE

For cleaning use ONLY a soft textile brush, cloth or sponge and warm soapy water! Rinse with clean water.

Do NOT use strong cleaning agents, rough cleaning tools or high pressure washer! Clean the SysBag after riding in salty conditions, to avoid damage from salt.



⚠️ WARNUNG: Oberflächenmaterialien können bei längerer und intensiver Sonneneinstrahlung und Umwelteinflüssen (z. B. SMOG, saurer Regen, etc.) Farbveränderungen (Ausbleichen) unterliegen! Dafür übernimmt SW-MOTECH keine Haftung.

⚠️ WARNUNG: Surface materials can experience color changes or fading when exposed to direct sunlight for extended periods of time and by environmental factors (e.g., SMOG, acid rain, etc.)! SW-MOTECH assumes no liability for this.



KOMBINATIONSMÖGLICHKEITEN

Die SysBag-Serie besteht aus nur drei Taschen und bietet dennoch eine große Anzahl an Montageoptionen und Kombinationsmöglichkeiten. Die Taschen lassen sich, wie in der Anbauanleitung beschrieben, einzeln auf dem Heck bzw. an der Seite verzurren oder per Schnellverschluss am Träger / Rack befestigen. Auf dieser Seite finden Sie einige Befestigungsbeispiele.

Fahrzeugspezifische Lösungen, SysBag-Sets und Adapterplatten für SW-MOTECH Träger / Racks finden Sie in unserem Webshop.

COMBINATIONS

The SysBag line has only three bags but offers a vast variety of mounting options and combination possibilities. The bags can be lashed to the tail end or at the side, as described in the mounting instructions, or mounted to the carrier / rack with a quick-release fastener. On this page you will find some mounting examples.

Vehicle-specific solutions, SysBag sets and adapter plates for SW-MOTECH carriers / racks can be found in our webshop.



PRODUKTSPEZIFISCHE HINWEISE

- ⚠ **WARNUNG:** Das Fahr-/Bremsverhalten des Motorrads verändert sich nach Befestigung dieses Produkts merklich!
- ⚠ **WARNUNG:** Je nach Ort der Befestigung kann die Kurven- und Bodenfreiheit durch dieses Produkt eingeschränkt werden!
- ⚠ **WARNUNG:** Überprüfen Sie vor Fahrtbeginn und bei jeder Rast (alle 200 km) den ordnungsgemäßen Sitz des Produkts!
- ⚠ **HINWEIS:** Beachten Sie die landesspezifischen Vorschriften für Zulassung/Betrieb Ihres Fahrzeugs bzw. anwendbare TÜV-Vorschriften. Lassen Sie eintragungspflichtige Teile nach Montage durch Ihre Prüfstelle in die Fahrzeugpapiere eintragen.

PRODUCT SPECIFIC INFORMATION

- ⚠ **WARNING:** Riding with this product may affect the motorcycles driving and braking performance!
- ⚠ **WARNING:** Depending on the location of fixation, cornering and ground clearance can be reduced by using this product!
- ⚠ **WARNING:** Before riding and at each stop (every 200 km) check proper fixation of the product!
- ⚠ **NOTICE:** Observe the country-specific regulations concerning vehicle registration/operation as well as TÜV regulations if applicable. If required, register installed parts in the vehicle documents through an appropriate inspection authority.

Maximale Zuladung	Höchstgeschwindigkeit
5 KG (11 lbs) pro SysBag WP S & M 10 KG (22 lbs) pro SysBag WP L	130 km/h (80 mph)

Maximum Load	Maximum Speed
5 KG (11 lbs) per SysBag WP S & M 10 KG (22 lbs) per SysBag WP L	130 km/h (80 mph)

⚠ **WARNUNG:** Es gilt die vom Fahrzeughersteller genannte maximale Zuladung des Fahrzeugs sowie die Zuladung des verwendeten SW-MOTECH Trägers!

⚠ **WARNING:** The maximum vehicle load specified by the manufacturer and the maximum load of the SW-MOTECH carrier/rack must not be exceeded!