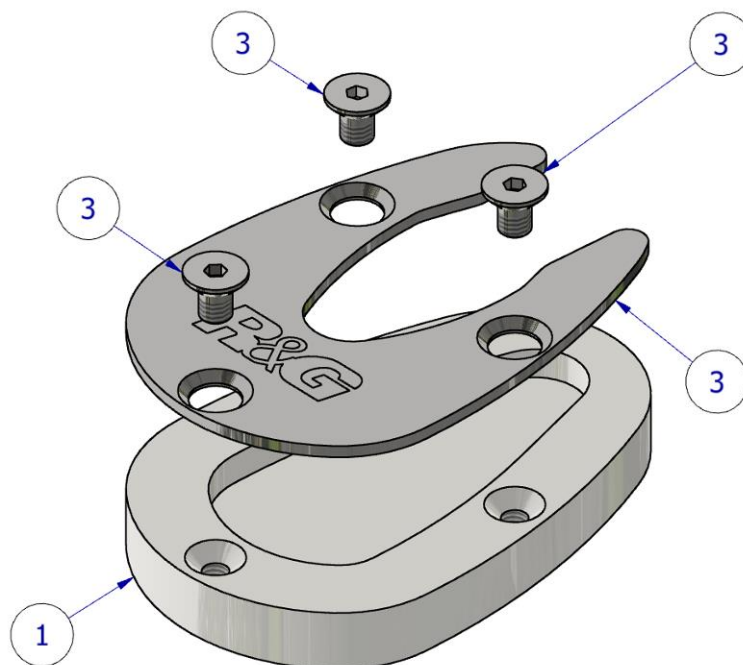




FITTING INSTRUCTIONS FOR PKS0142SI KICKSTAND SHOE TO FIT HONDA CMX500 REBEL 2020-



THIS KIT CONTAINS THE ITEMS PICTURED AND LABELLED OVER PAGE.

SOME PARTS MAY BE SHOWN FOR CLARITY OF INSTRUCTIONS ONLY.

DO NOT PROCEED UNTIL YOU ARE SURE ALL PARTS ARE PRESENT.

PLEASE READ ALL INSTRUCTIONS BEFORE PROCEEDING.

IF IN ANY DOUBT WHEN FITTING OUR PRODUCTS, CONSULT ONE OF OUR DEALERS OR HAVE FITTED BY A QUALIFIED TECHNICIAN.

Please note that the way the kit is packed does not necessarily represent the way of mounting to the bike.

In the event of rubber washers being used to hold components onto bolts, these rubber washers can be thrown away.

DIGITAL COPIES OF THESE INSTRUCTIONS ARE AVAILABLE FROM

WWW.RG-RACING.COM

R&G

Unit 1, Shelley's Lane, East Worldham, Alton, Hampshire, GU34 3AQ

Tel: +44 (0)1420 89007 Fax: +44 (0)1420 87301 www.rg-racing.com Email: info@rg-racing.com



<p><u>TOOLS REQUIRED</u></p> <ul style="list-style-type: none"> • 3mm A/F Allen key or bit. • Thread locking compound. 	<ul style="list-style-type: none"> • <u>GENERAL TORQUE SETTINGS</u> <ul style="list-style-type: none"> • M4 BOLT = 8Nm • M5 BOLT = 12Nm • M6 BOLT = 15Nm • M8 BOLT = 20Nm • M10 BOLT = 40Nm • M12 BOLT = 40Nm
---	--

LEGEND

ITEM No.	DESCRIPTION	QTY
ITEM 1	MOUNTING PLATE (MP0266)	1
ITEM 2	CLAMP PLATE (PLATE 0286)	1
ITEM 3	M5 x 8mm LONG STAINLESS-STEEL COUNTERSUNK BOLTS	3
ITEM 4	50mm STRIP OF SELF-ADHESIVE FOAM	1

FITTING INSTRUCTIONS

- Carefully pass the clamping plate (**item 2**) around the side stand leg with the countersinks facing upwards.
- Take the machined aluminium mounting plate (**item 1**) and fit to the base of the side stand from underneath.
- Sandwich the two plates together around the side stand pad.
- Apply a small amount of (one drop) of thread locking compound to the threaded end of each countersunk bolt (**item 3**).
- Fit the three bolts (**item 3**) through the clamp plate and into the mounting plate, clamping the two plates securely together to the side stand pad as shown in the assembly diagram on page 1.
- Tighten all the bolts evenly and ensure the stand is clear of the swingarm and chain when in the raised position.
- If fitting to older used stands that have wear, the self-adhesive foam strip (**item 4**) should be cut and placed into the base plate to ensure a tight fit.

ISSUE 1 - 29/11/2021 (DM)

R&G

Unit 1, Shelley's Lane, East Worldham, Alton, Hampshire, GU34 3AQ
 Tel: +44 (0)1420 89007 Fax: +44 (0)1420 87301 www.rg-racing.com Email: info@rg-racing.com



CONSUMER NOTICE

The catalogue description and any exhibition of samples are only broad indications of the Products and R&G may make design changes which do not diminish their performance or visual appeal and supplying them in such state shall conform to the order. The Buyer acknowledges no representation or warranty (other than as to title) has been given or will apply to the Products other than those in R&G's order or confirmation and the Buyer confirms it has chosen the Products as being of merchantable quality and suitable for its particular purposes. Where R&G fits the Products or undertakes other services it shall exercise reasonable skill and care and rectify any fault free of charge unless the workmanship has been disturbed. The Buyer is responsible for ensuring that the warranty on the motorcycle is not affected by the fitting of the Products. On return of any defective Products R&G shall at its option either supply a replacement or refund the purchase money but shall not be liable if the Products have been modified or used or maintained otherwise than in accordance with R&G's or manufacturer's instructions and good engineering practice or if the defect arises from accident or neglect. Other than identified above and subject to R&G not limiting its liability for causing death and personal injury, it shall not be liable for indirect or consequential loss and otherwise its liability shall be limited to the amounts paid by the Buyer for the Products or the fitting or service concerned. These terms do not affect the Buyer's statutory rights.

R&G RACING RETURNS POLICY (NON-FAULTY GOODS)

Returns must be pre-authorized (if not pre-authorized the return will be rejected). Goods may only be returned direct to us if they were purchased direct from us (customer must prove if necessary). Otherwise to be returned to original vendor. Goods must be in re-sellable condition, in the opinion of R&G Racing. All returns are subject to a 25% restocking and handling fee (25% of the gross value exc. P&P – at the prevailing price at time of purchase). The customer must pay any and all carriage charges. No returns of discontinued products, unless within 14 days of purchase. This policy does not affect your statutory rights and does not refer to faulty goods.

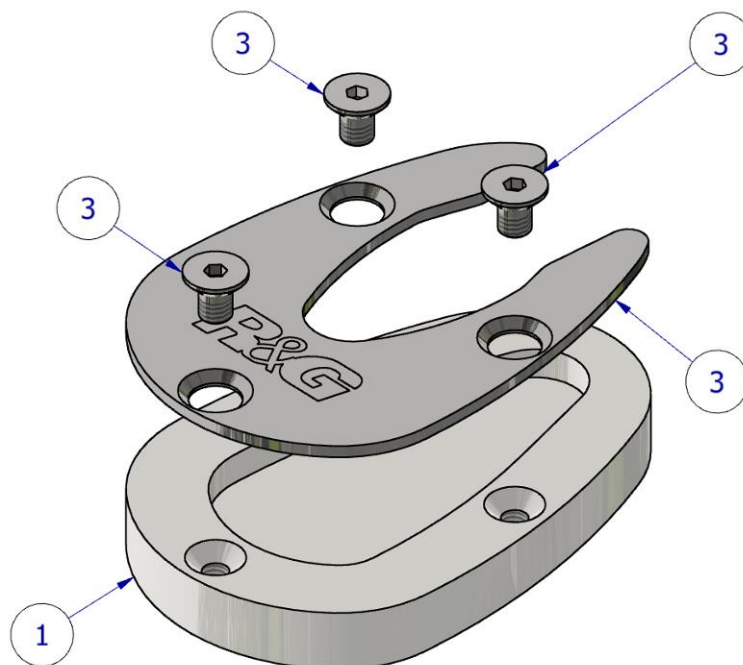
R&G

Unit 1, Shelley's Lane, East Worldham, Alton, Hampshire, GU34 3AQ

Tel: +44 (0)1420 89007 Fax: +44 (0)1420 87301 www.rg-racing.com Email: info@rg-racing.com



NOTICE DE MONTAGE POUR PKS0142SI PIED DE BÉQUILLE
HONDA CMX500 REBEL 2020-



CE KIT CONTIENT LES ARTICLES ILLUSTRÉS ET ÉTIQUETÉS SUR LA PAGE.

CERTAINES PARTIES PEUVENT ÊTRE PRÉSENTES UNIQUEMENT POUR LA CLARTÉ DES INSTRUCTIONS.

NE PAS PROCÉDER AU MONTAGE TANT QUE VOUS N'ÊTES PAS SÛR QUE TOUTES LES PIÈCES SOIENT PRÉSENTES.

VEUILLEZ LIRE TOUTES LES INSTRUCTIONS AVANT DE CONTINUER.

EN CAS DE DOUTE LORS DU MONTAGE DE NOS PRODUITS, CONSULTEZ UN DE NOS REVENDUEURS OU FAITES APPEL À UN TECHNICIEN QUALIFIÉ.

VEUILLEZ NOTER QUE LA FAÇON DONT LE KIT EST EMBALLÉ NE REPRÉSENTE PAS NECESSAIREMENT LA MANIÈRE DE LE MONTER SUR LA MOTO.

SI DES RONDELLES EN CAOUTCHOUC SONT UTILISÉES POUR MAINTENIR LES COMPOSANTS SUR LES BOULONS, ELLES PEUVENT ÊTRE JETÉES.

NOTICE DISPONIBLE AU TÉLÉCHARGEMENT SUR :
WWW.RG-RACING.COM

R&G

Unit 1, Shelley's Lane, East Worldham, Alton, Hampshire, GU34 3AQ

Tel: +44 (0)1420 89007 Fax: +44 (0)1420 87301 www.rg-racing.com Email: info@rg-racing.com



<u>OUTILS REQUIS</u>	<u>VALEURS DE SERRAGE</u>
<ul style="list-style-type: none"> • Clé Allen 3mm. • Composé frein-filet. 	M4 BOULON = 8Nm M5 BOULON = 12Nm M6 BOULON = 15Nm M8 BOULON = 20Nm M10 BOULON = 40Nm M12 BOULON = 40Nm

LÉGENDE

ARTICLE No.	DESCRIPTION	QTÉ
ARTICLE 1	PLAQUE DE MONTAGE (MP0266)	1
ARTICLE 2	PLAQUE DE SERRAGE (PLATE 0286)	1
ARTICLE 3	M5 x 8mm BOULONS	3
ARTICLE 4	50mm BANDEAU DE MOUSSE AUTOCOLLANT	1

NOTICE DE MONTAGE

- Passer avec précaution la plaque de serrage (article 2) autour du pied de béquille latérale avec les fraises vers le haut.
- Prendre la plaque de montage en aluminium usinée (article 1) et l'adapter à la base de la béquille latérale par le bas.
- Placez les deux plaques ensemble autour du coussin de béquille latérale.
- Appliquer une petite quantité (une goutte) de frein filet sur l'extrémité filetée de chaque boulon à tête fraisée (article 3).
- Insérez les trois boulons (article 3) à travers la plaque de serrage et dans la plaque de montage, en serrant solidement les deux plaques ensemble sur le coussin de béquille latérale comme indiqué dans le schéma de montage à la page 1.
- Serrez tous les boulons uniformément et assurez-vous que le support soit éloigné du bras oscillant et de la chaîne lorsqu'il est en position relevée.
- En cas de montage sur des béquilles usagées plus anciennes et usées, la bande de mousse autocollante (article 4) doit être coupée et placée dans la plaque de base pour assurer un ajustement serré.

ISSUE 1 - 29/11/2021 (DM)

R&G

Unit 1, Shelley's Lane, East Worldham, Alton, Hampshire, GU34 3AQ
 Tel: +44 (0)1420 89007 Fax: +44 (0)1420 87301 www.rg-racing.com Email: info@rg-racing.com