

👁 Note!

Please note that there can be small differences between your product and the images in these instructions.

👁 Note!

Please note that during storage and transport, especially at high ambient temperature, some of the oil and grease used for assembly may leak and stain the packaging. This will not cause damage to the product, wipe off the excessive oil or grease with a cloth.

Kit Contents

Description	Part No	Pcs
Cartridge kit	FKC102	1
Sticker	01185-04	2
Owner's manual	07288-01	1
Guide ring	21808-01	2

👁 Note!

Before you install this product, check the kit contents. If anything is missing, please contact an Öhlins dealer.

⚠ Warning!

Before you install this product, read the Öhlins Owner's manual. This product is an important part of the vehicle and the vehicle stability.

Cartridge kit for Harley-Davidson Touring FLHx/ FLTx 2014-

FKC 102

Mounting Instructions



MOUNTING INSTRUCTIONS

⚠ Warning!

We strongly recommend to let an Öhlins dealer install this product.

⚠ Warning!

If you work with a lifted vehicle, make sure that it is safely supported to prevent it from tipping over.

👁 Note!

When you work with this product, see the vehicle service manual for vehicle specific procedures and important data.

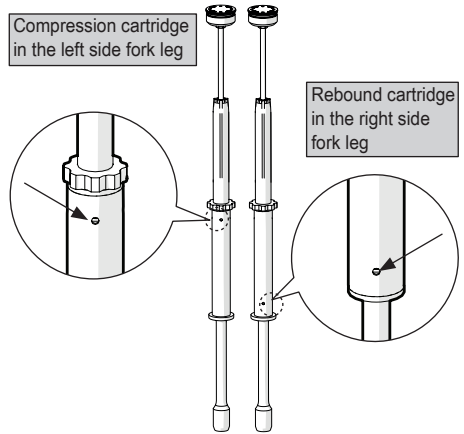
👁 Note!

Before you install this product clean the vehicle.

Tool	Part no	Size
Pull-up tool	01765-08	
Stopper plate	02810-03	
Tool (top cap)	00797-06	1/2"
Wrench		13 mm
Allen key		12 mm
Allen key		19 mm
Torque wrench		1/2"

Before you begin

The kit consists of one compression cartridge and one rebound cartridge. Make sure you install each cartridge in the correct fork leg.



Remove the original damping system

1

Remove the front fork from the vehicle, see the vehicle service manual for instructions.

MOUNTING INSTRUCTIONS

⚠ Warning!

Spring compression creates a potential danger because of the violent force that loaded springs are capable of.

Important: When you remove the top cap push down the top cap and at the same time pull up the inner tube to prevent uncontrolled release.

2

Use a 19 mm Allen key to loosen and remove the top cap from the inner tube. Important: When you remove the top cap push down the top cap and at the same time pull up the inner tube to prevent uncontrolled release.

3

Remove the preload tube, washer and the main spring.

👁 Note!

When you work with the fork leg, make sure that the inner tube (A) is at lowest position to keep the oil lock sleeve (B) correctly positioned inside the inner tube.

4

Drain the fork leg from oil.

5

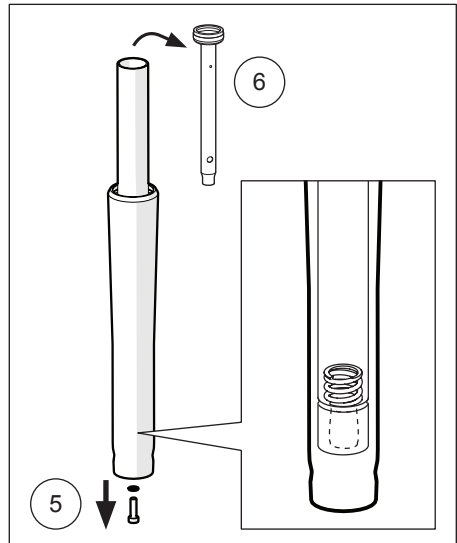
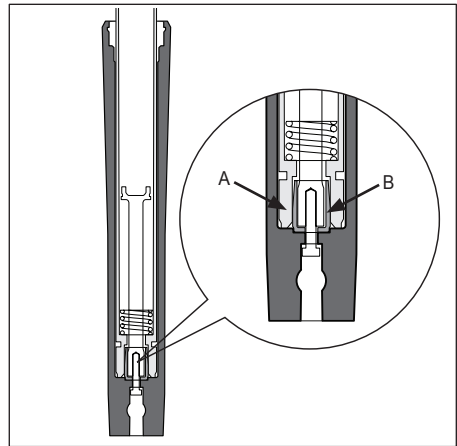
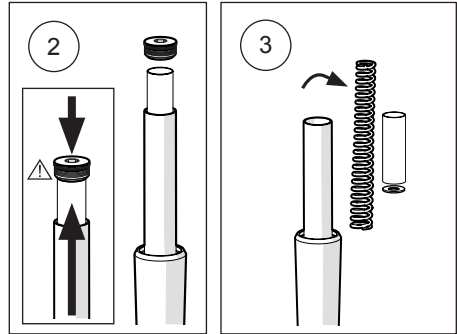
Use a 12 mm Allen key to remove the bottom screw. Make sure not to lose the washer.

6

Remove the damping rod from the fork leg. Do not remove the top out spring.

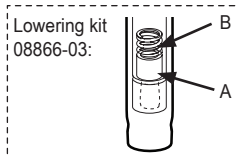
Lowering kit 08866-03 only:

Install the spacer (21803-02) (A) and the top out spring (B) in the fork leg.



👋 Caution!

Make sure to install the spacer and the spring in the correct order.



MOUNTING INSTRUCTIONS

Install the Öhlins cartridge kit (all models)

1

Remove the top cap from the shaft.

2

Adjust the shaft nut as far up as possible on the shaft, make sure to leave enough threads on the shaft to install the pull up tool.

3

Install the pull up tool (01765-08) on the shaft. Tighten with your hand.

Caution!

Keep the fork leg in a vertical position during the installation procedure.

4

Make sure that the oil lock sleeve is in correct position (A).

Caution!

Make sure that the guide sleeve internal (see figure 5 position B) touches the seal head (C). Make sure that the guide sleeve internal is correctly positioned (D) during the installation procedure, steps 5-11.

5

Put the cartridge in the fork leg.

6

Make sure that the cartridge is in the bottom position. Apply threadlocker (see the vehicle service manual) on the bottom screw. Insert the washer and the bottom screw. Use a 12 mm Allen key to tighten the bottom screw. See the vehicle service manual for correct tightening torque.

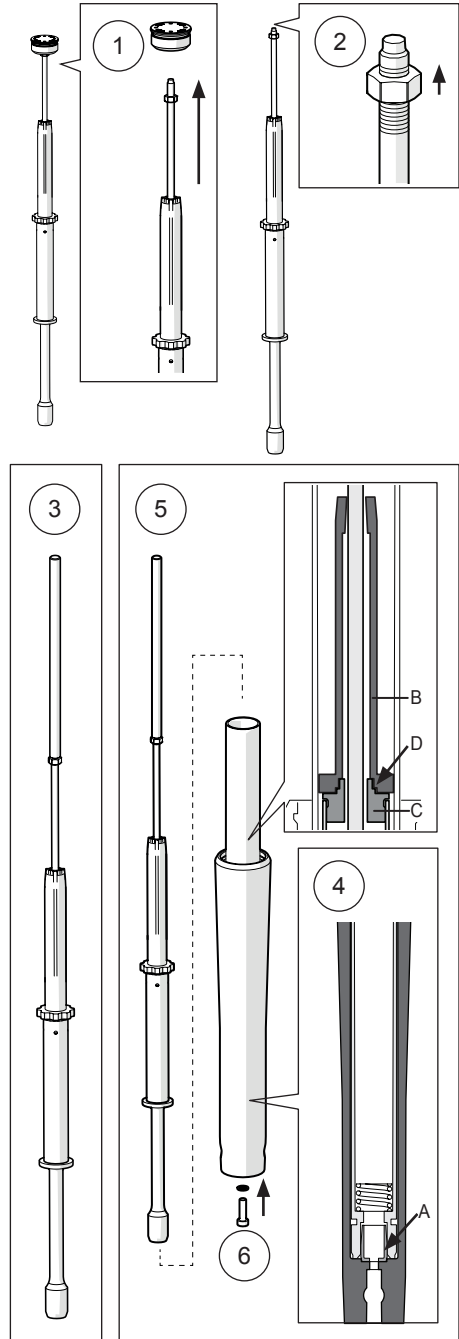
7

Pour Öhlins front fork fluid (01309-XX) in the fork leg.

If the oil level comes near the upper end of the inner tube, move the steel tube up and down to release the air from the fork leg.

8

Pull the inner tube up and down approximately 10 times to release the air from the fork leg.



MOUNTING INSTRUCTIONS

9

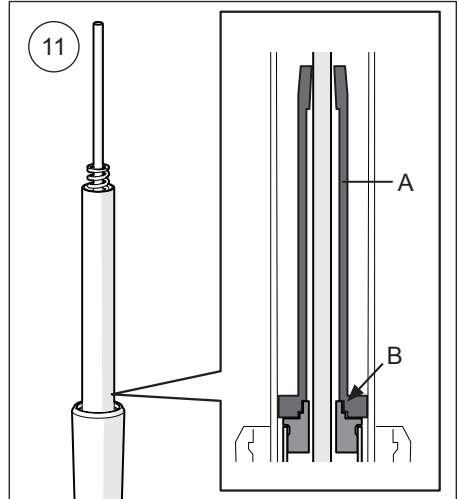
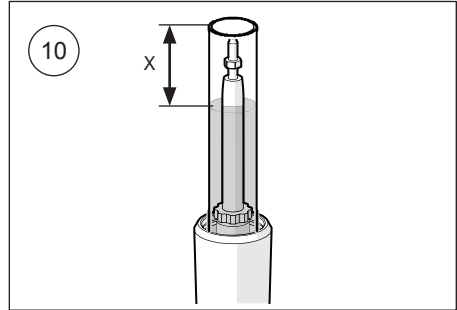
Pull the shaft up and down approximately 10 times to release air from the cartridge.

10

Make sure that the shaft assembly is in the bottom of the fork leg and that the outer tube is in the bottom position. Measure the oil level with a ruler. For recommended oil level, see section Setup data in these instructions.

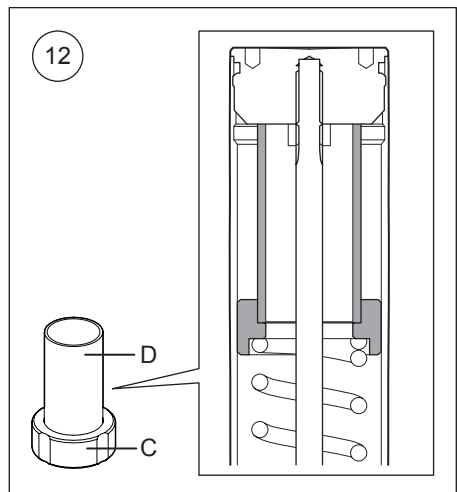
11

Make sure that the guide sleeve internal (A) is correctly positioned (see position B). Make sure that the mark on the main spring is up. Install the main spring over the pull up tool (01765-08).



12

Install the guide ring (C) on the preload tube (D).



MOUNTING INSTRUCTIONS

13

Push down the preload tube and at the same time pull up the shaft. Carefully insert the stopper plate tool (02810-03) below the shaft nut.

14

Remove the pull up tool from the shaft.

⚠ Warning!

Spring compression creates a potential danger because of the violent force that loaded springs are capable of. Beware of this when you adjust the shaft nut.

15

Make sure that the stopper plate tool stays in place. Use a 13 mm wrench to adjust the shaft nut until bottomed.

16

Install the top cap on the shaft until stop.

👁 Note!

Make sure that the top cap is completely bottomed.

17

Use the tool (top cap) (00797-06) together with a 1/2" torque wrench and a 13 mm wrench to tighten the shaft nut to the top cap. Tighten the shaft nut to 15 Nm.

18

Push down the preload tube and carefully remove the stopper plate tool.

19

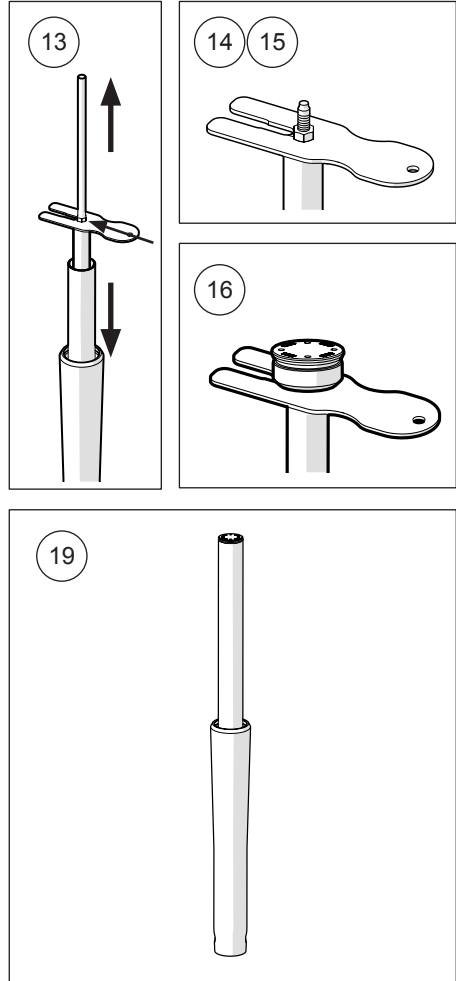
Pull up the inner tube and at the same time push down the top cap. Use the tool (top cap) (00797-06) together with a 1/2" torque wrench to tighten the top cap to the inner tube. Tighten the top cap to 10 Nm.

20

Install the front fork in the vehicle, see the vehicle service manual for instructions.

⚠ Warning!

Make sure to install all removed parts in the same positions as they were before the installation of the ohlins cartridge kit.



MOUNTING INSTRUCTIONS

SETUP DATA

Öhlins Front fork fluid	01309-xx	
Recommended oil level	80	mm

SPRING GUIDE

Make sure you choose the correct spring for your rider weight, driving style and preferences. Contact an authorized Öhlins service center for advice.

Ride height	Spring part no	Spring rate N/mm
Without fairing	08866-01	10
With fairing	08866-02	12
Lowering kit 25 mm	08866-03	13

Öhlins products are subject to continuous improvement and development, therefore, although these instructions include the most up-to-date information available at the time of printing, minor updates may occur.

To find the latest information contact an Öhlins distributor. Please contact Öhlins if you have any questions regarding the contents in this document.

Part no. MI_FKC102_1
Issued 2016-02-09

© Öhlins Racing AB. All rights reserved. Any reprinting or unauthorized use without the written permission of Öhlins Racing AB is prohibited.

Öhlins Racing AB
Box 722
S-194 27 Upplands Väsby, Sweden
Phone +46 8 590 025 00
fax +46 8 590 025 80



www.ohlins.com