



EVOTECH®
P E R F O R M A N C E

Installation Instructions

DUCATI X-DIAVEL 2016 CRASH PROTECTION

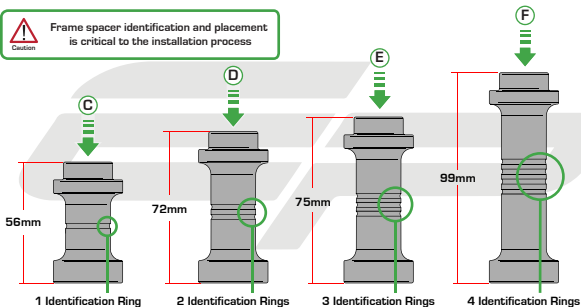
Product Reference - 13282

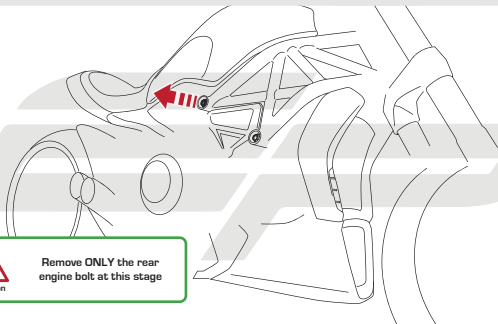
Kit Contents

- | | |
|--|--|
| A 1 x RH Arm | H 1 x M12 - 130mm Cap Head Bolt |
| B 1 x LH Arm | I 2 x M12 - 145mm Cap Head Bolt |
| C 1 x 56mm Frame Spacer | J 2 x M12 - 90mm Cap Head Bolt |
| D 1 x 72mm Frame Spacer | K 2 x Bobbin Heads |
| E 1 x 75mm Frame Spacer | L 2 x Bobbin Spacers |
| F 1 x 99mm Frame Spacer | M 2 x Impact Absorbing Washers |
| G 1 x M12 - 170mm Cap Head Bolt | N 2 x M12 Washers |



Frame spacer identification and placement is critical to the installation process





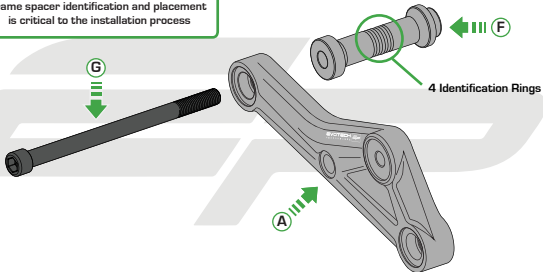
Caution

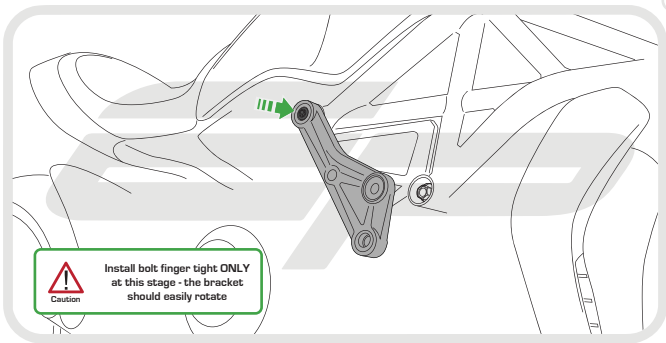
Remove **ONLY** the rear engine bolt at this stage



Caution

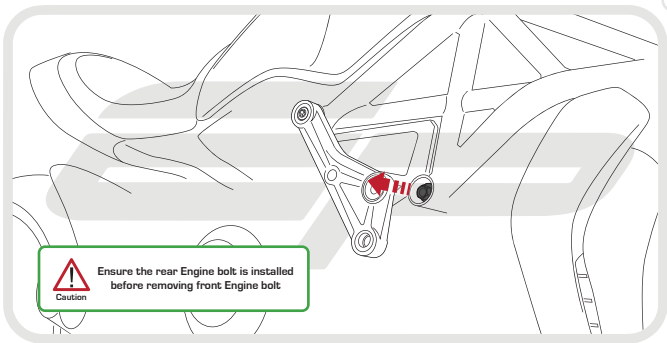
Frame spacer identification and placement is critical to the installation process





Caution

Install bolt finger tight **ONLY**
at this stage - the bracket
should easily rotate

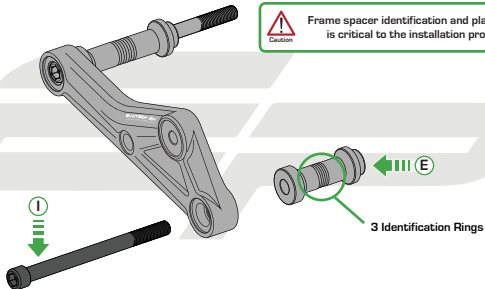


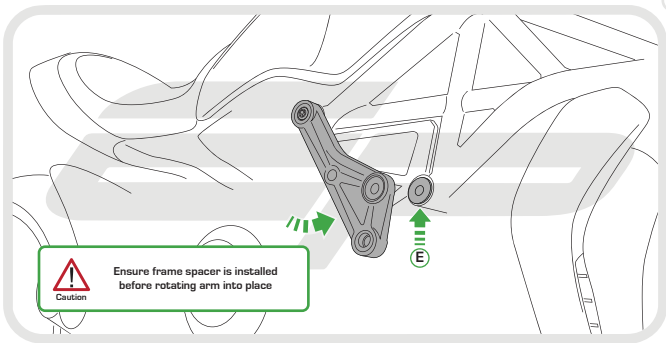
Caution

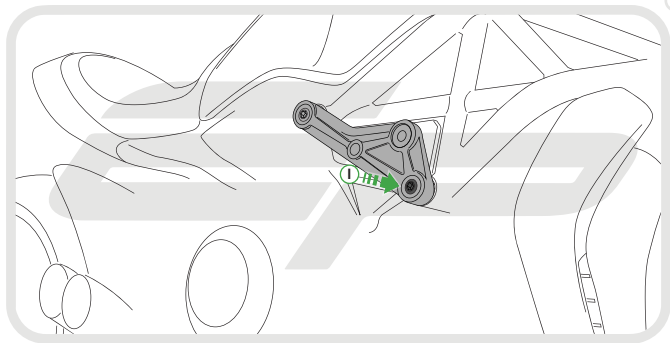
Ensure the rear Engine bolt is installed
before removing front Engine bolt

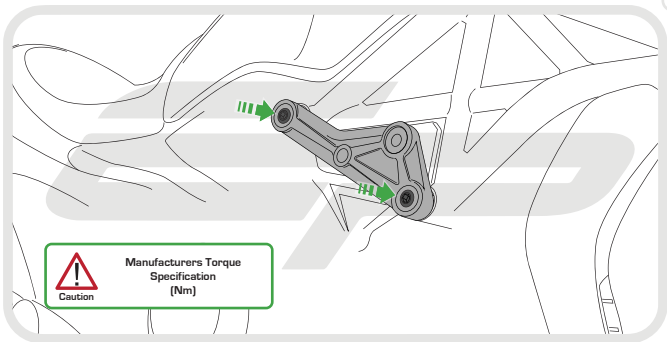


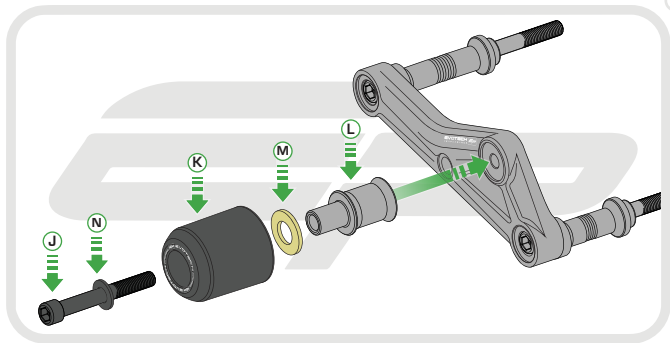
Frame spacer identification and placement is critical to the installation process

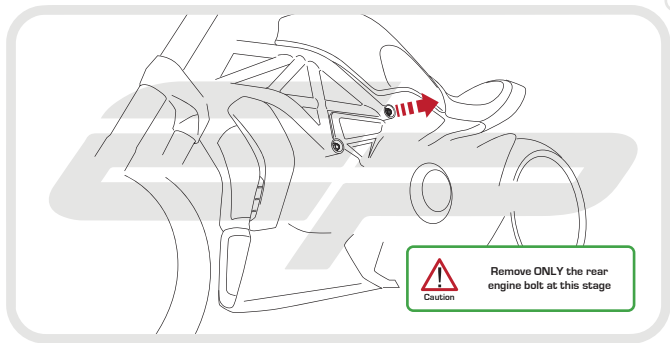












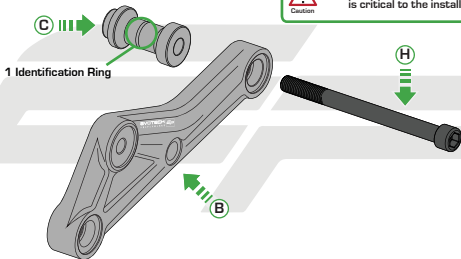
Caution

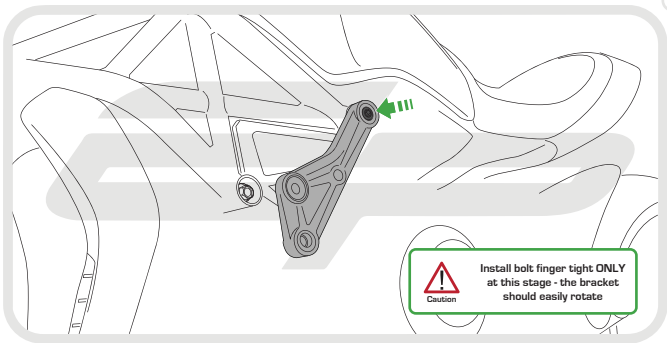
Remove **ONLY** the rear engine bolt at this stage



Caution

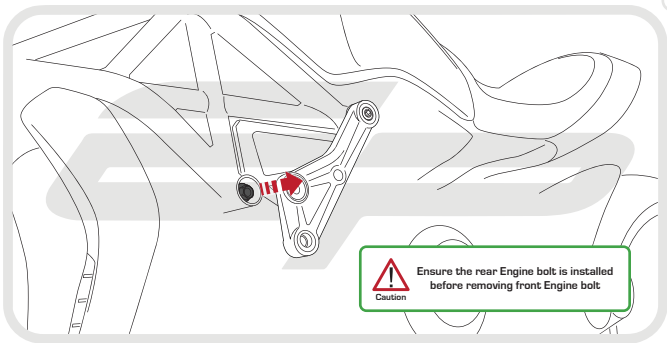
Frame spacer identification and placement
is critical to the installation process





Caution

Install bolt finger tight **ONLY**
at this stage - the bracket
should easily rotate



Caution

Ensure the rear Engine bolt is installed
before removing front Engine bolt



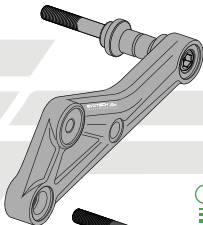
Caution

Frame spacer identification and placement
is critical to the installation process

D

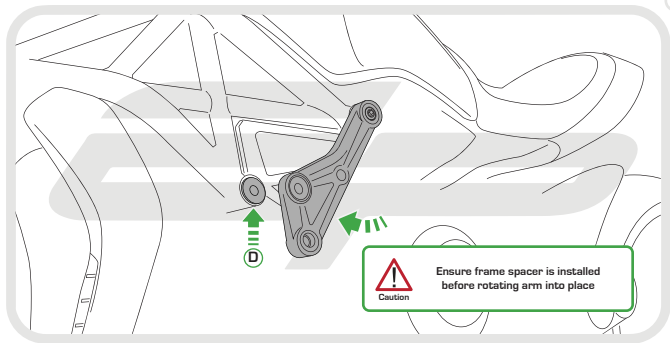


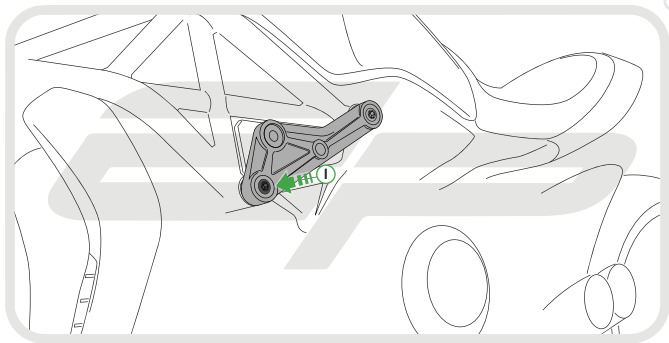
2 Identification Rings

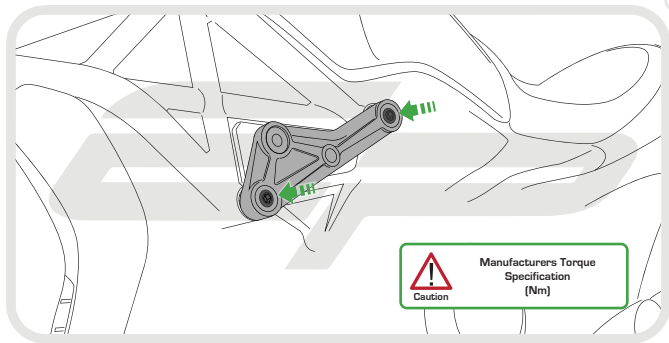


I



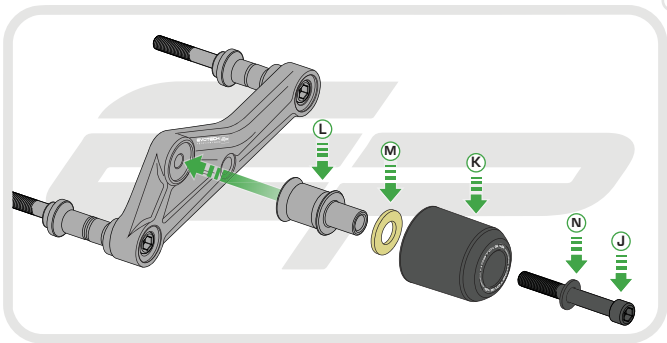






Caution

Manufacturers Torque
Specification
(Nm)





ESSENTIAL CHECKS



It is recommended that periodic inspections are made to ensure that all bolts are tightened to the specified torque settings.

Should the bike be involved in an accident a thorough inspection should be made and any components that have taken an impact, no matter how small, be replaced



EVOTECH®
P E R F O R M A N C E

www.evotech-performance.com