



EVOTECH®
P E R F O R M A N C E

www.evotech-performance.com

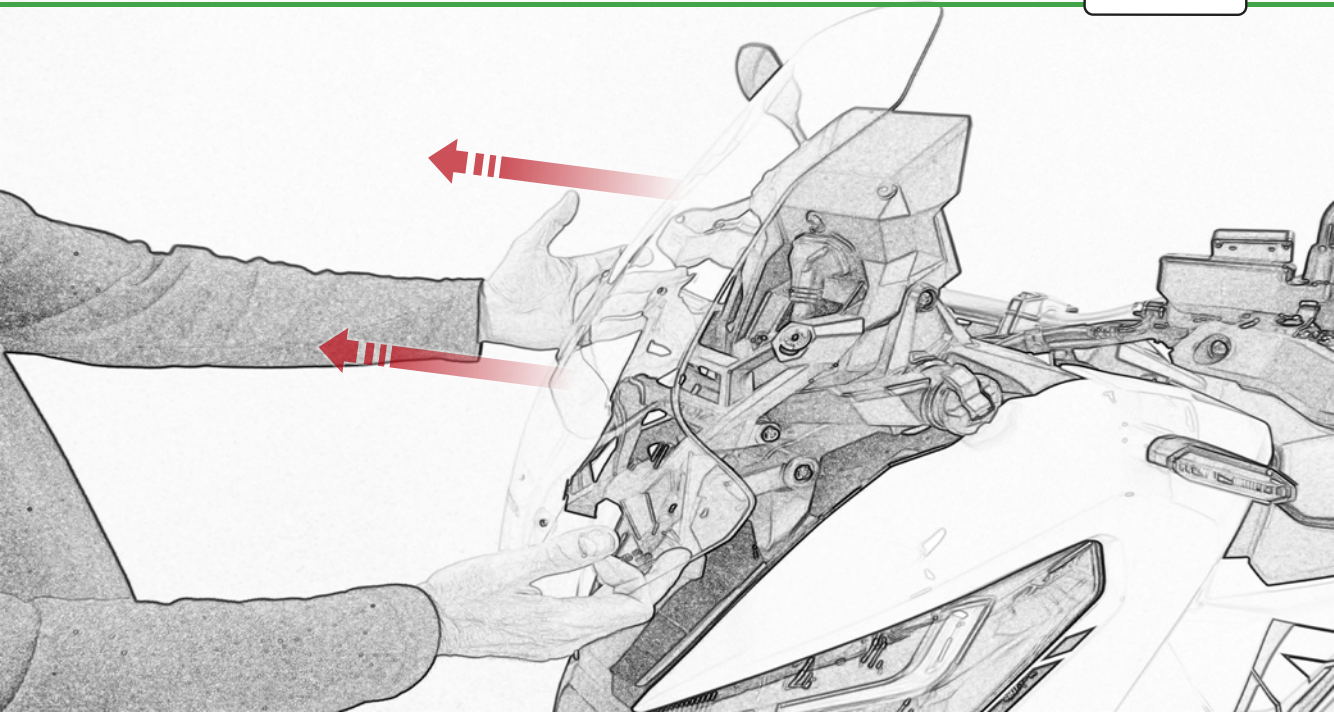
Honda X-ADV Garmin
Sat Nav Mount

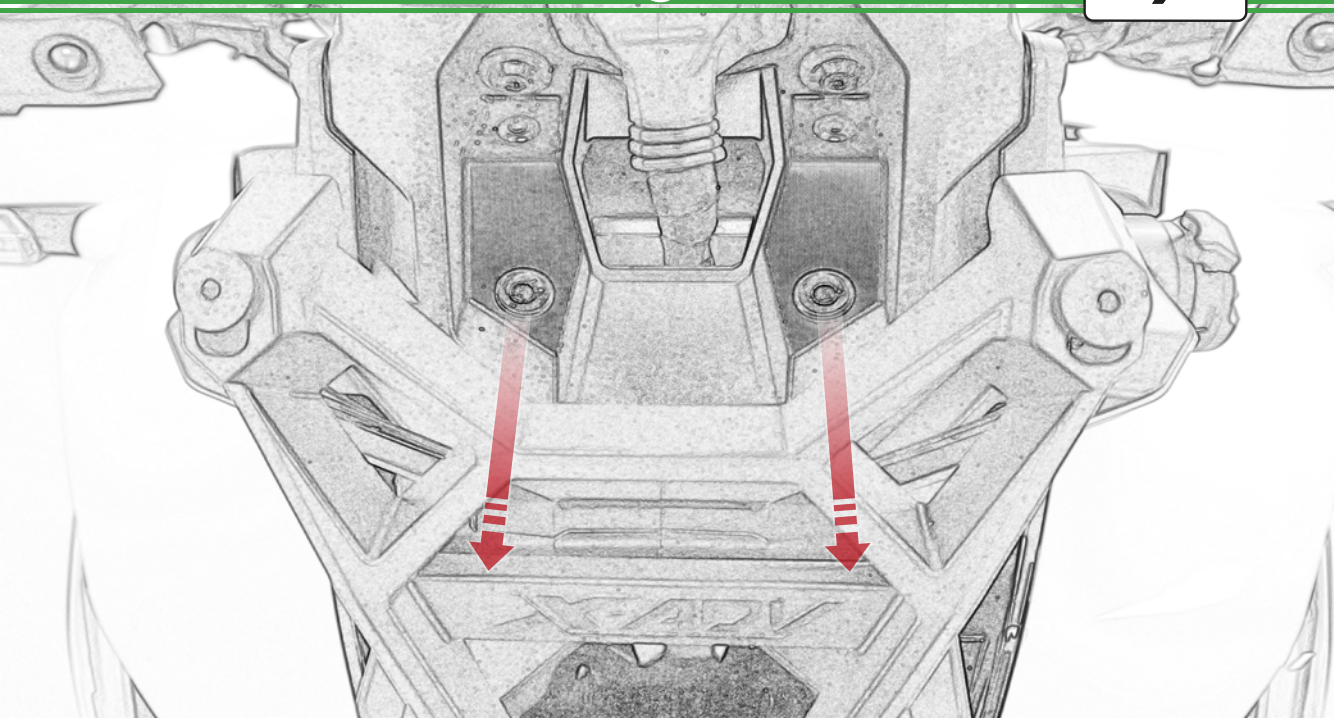


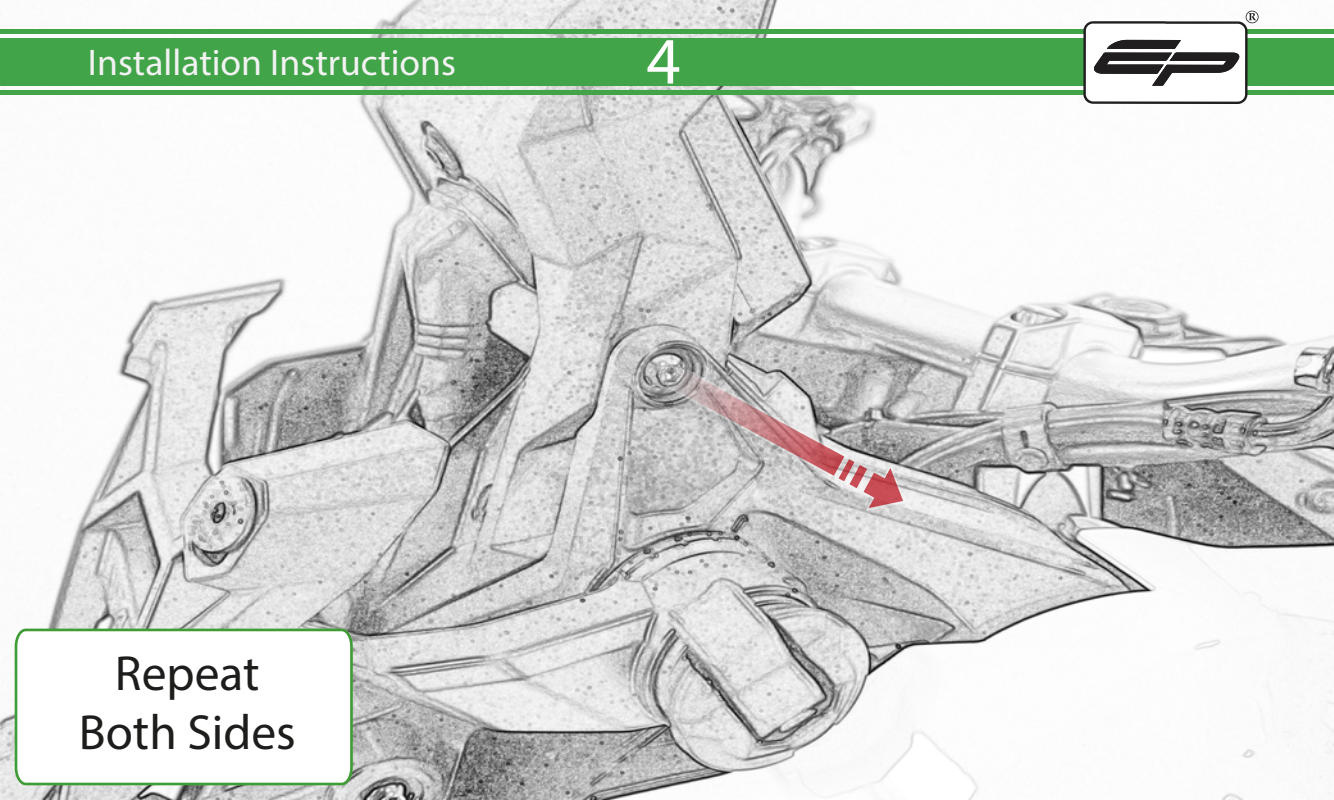
- (A) 1 x Main Plate
- (B) 1 x Pivot Plate
- (C) 1 x Quad Lock Sub Bracket
- (D) 1 x Quad Lock Mounting Bracket
- (E) 2 x M5 x 8mm Black Button Head Bolts
- (F) 2 x P-clips (No.1)
- (G) 2 x P-clips (No.2)
- (H) 2 x P-clips (No.3)
- (I) 2 x P-clips (No.4)
- (J) 2 x Lobe Screw
- (K) 2 x Locking Washer
- (L) 2 x M5 Black Washer
- (M) 2 x M4 x 5mm Black Button Head Bolts
- (AA) 1 x Rubber Bung
- (BB) 2 x M6 x 30 Black Button Head Bolt
- (CC) 2 x M5 x 25 Black Button Head Bolt
- (DD) 2 x Spacer

EP PERFORMANCE

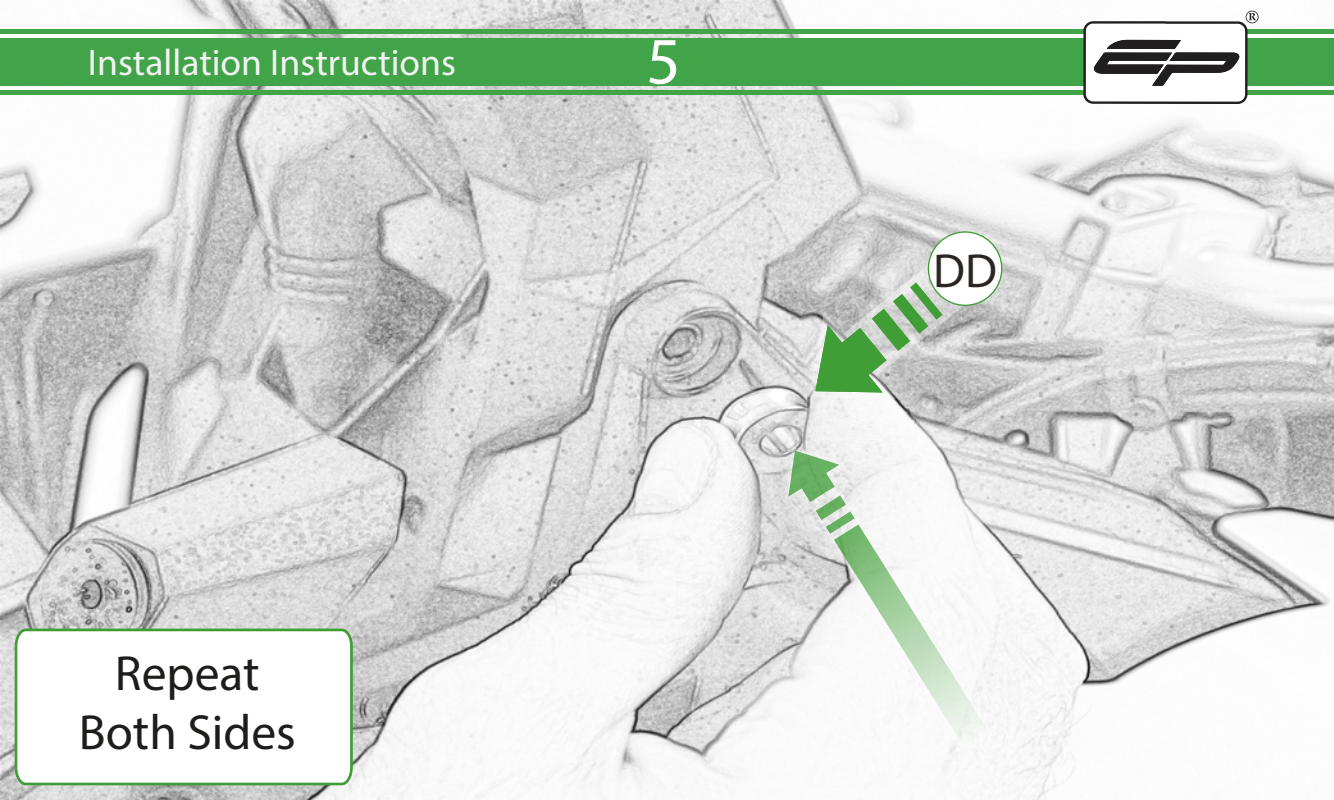






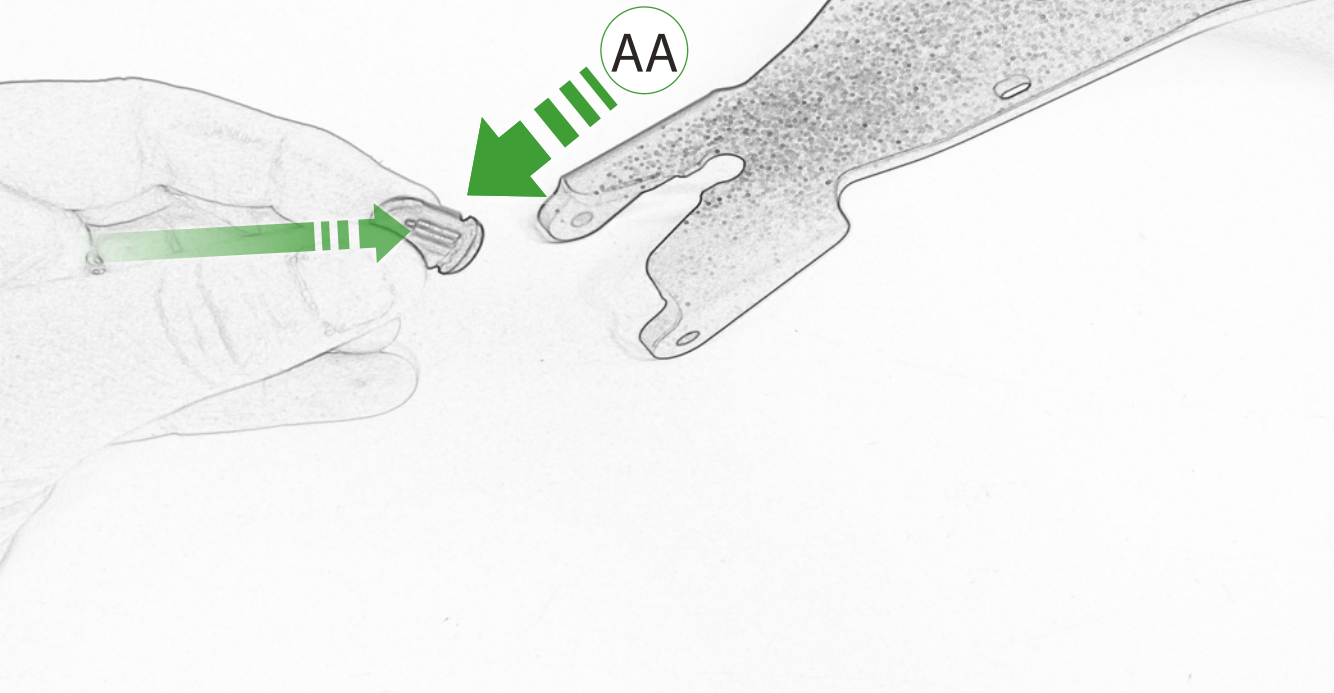


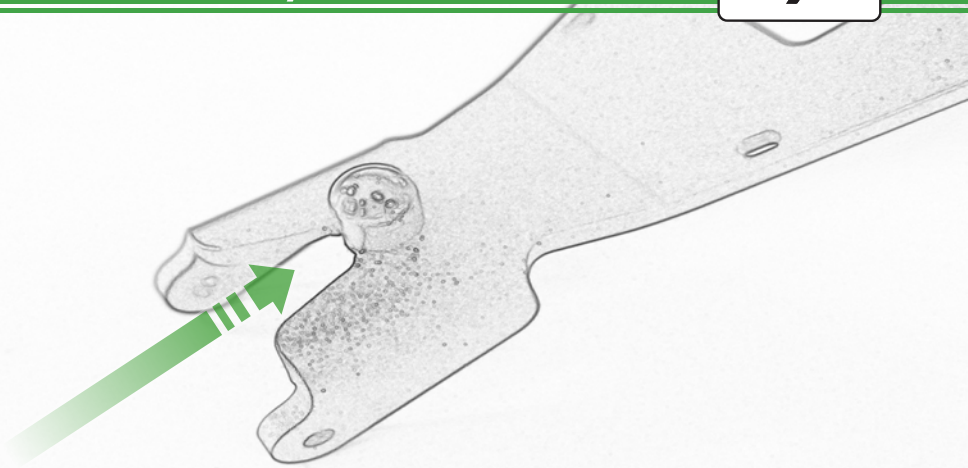
Repeat
Both Sides

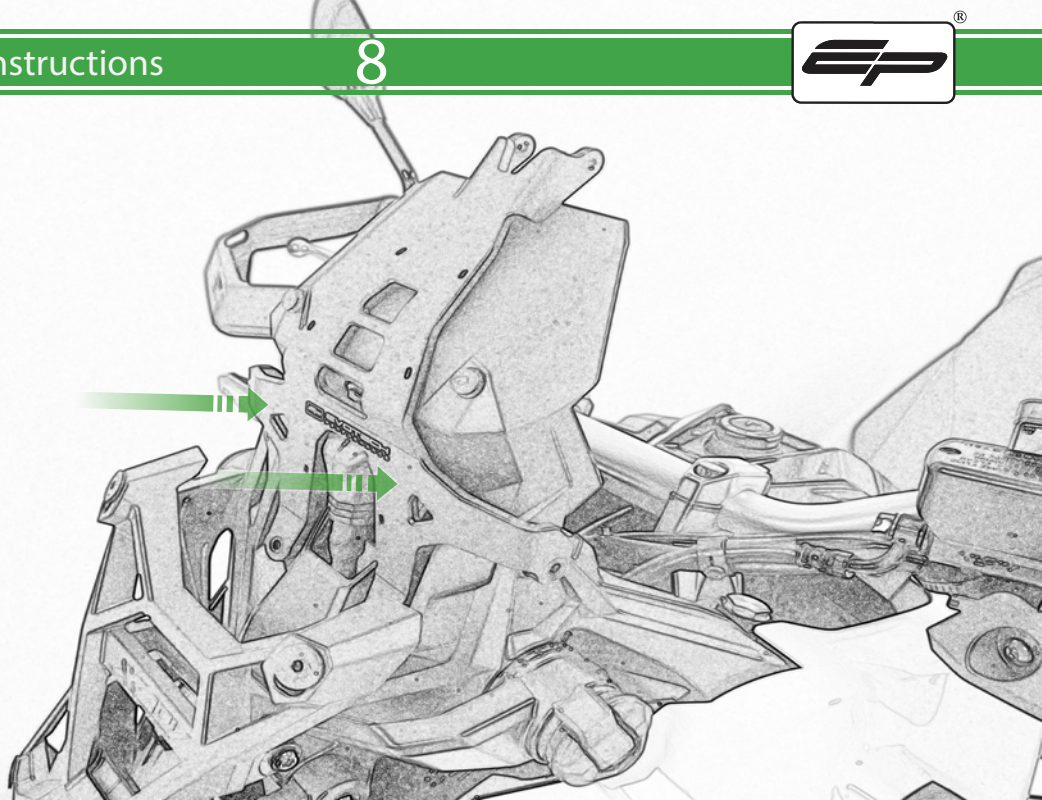


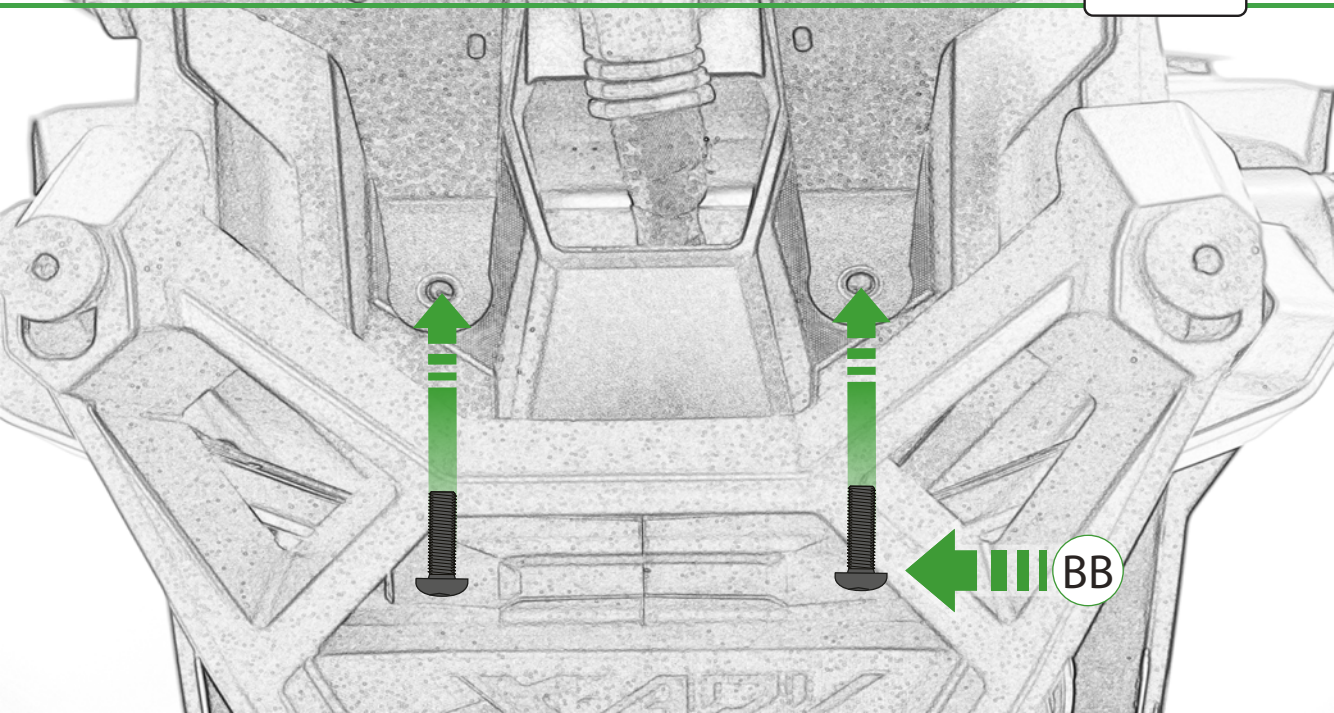
DD

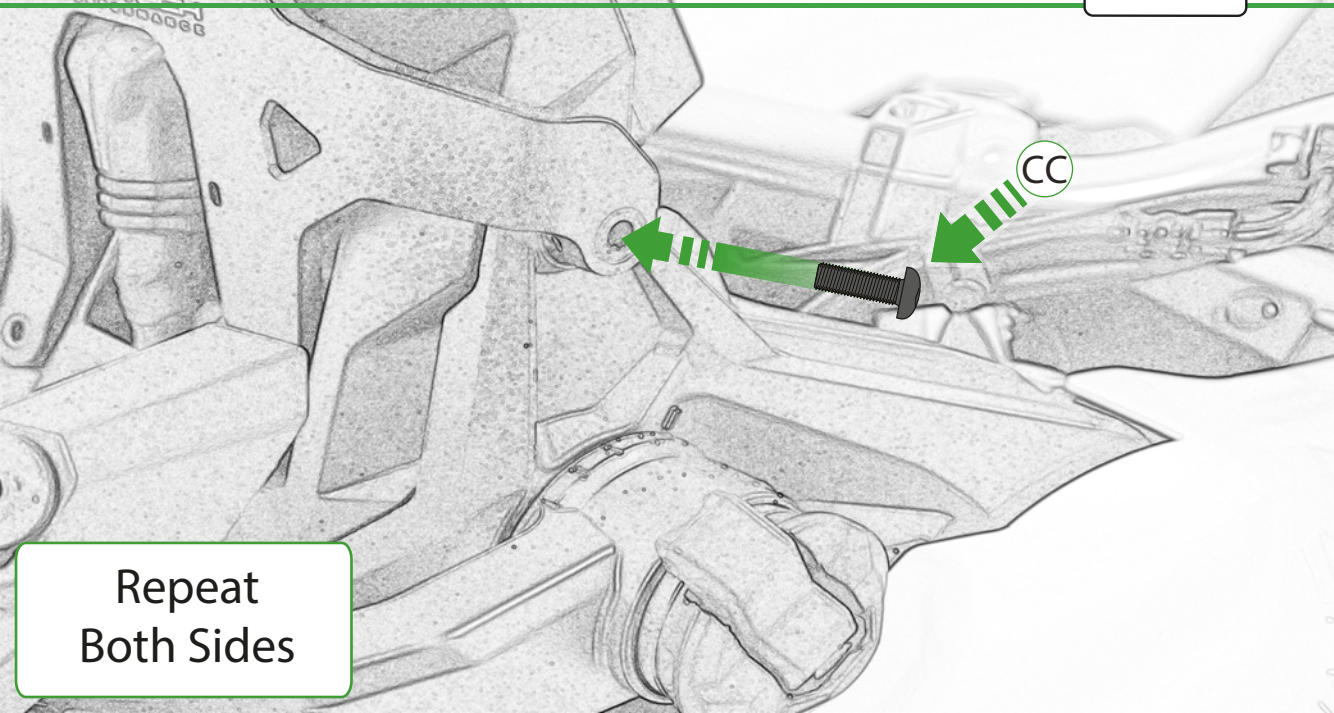
Repeat
Both Sides



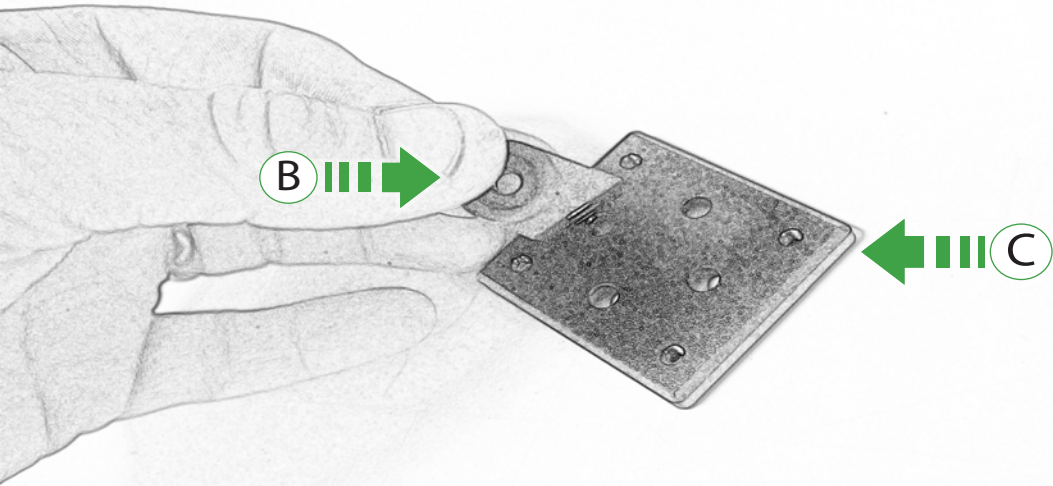


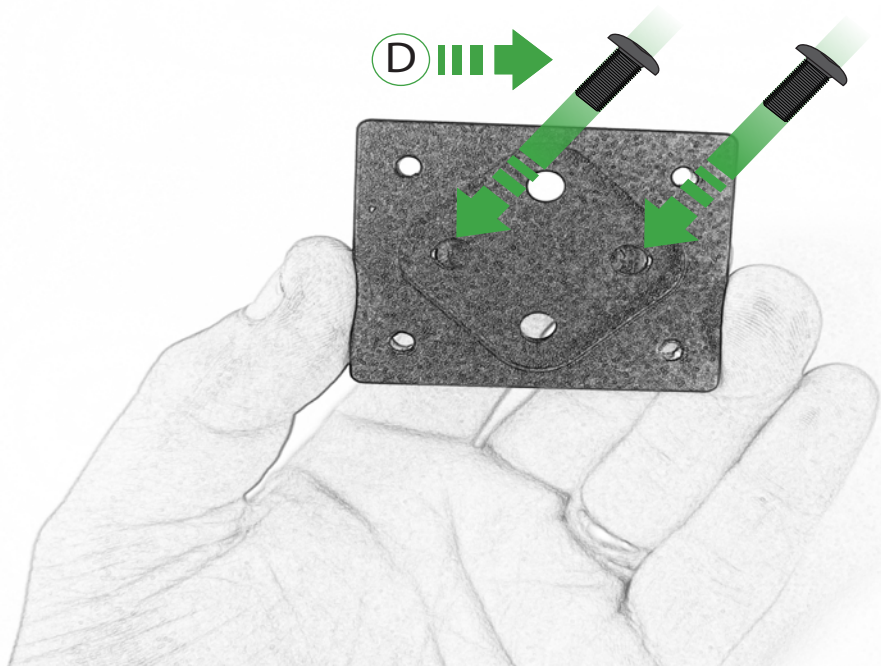


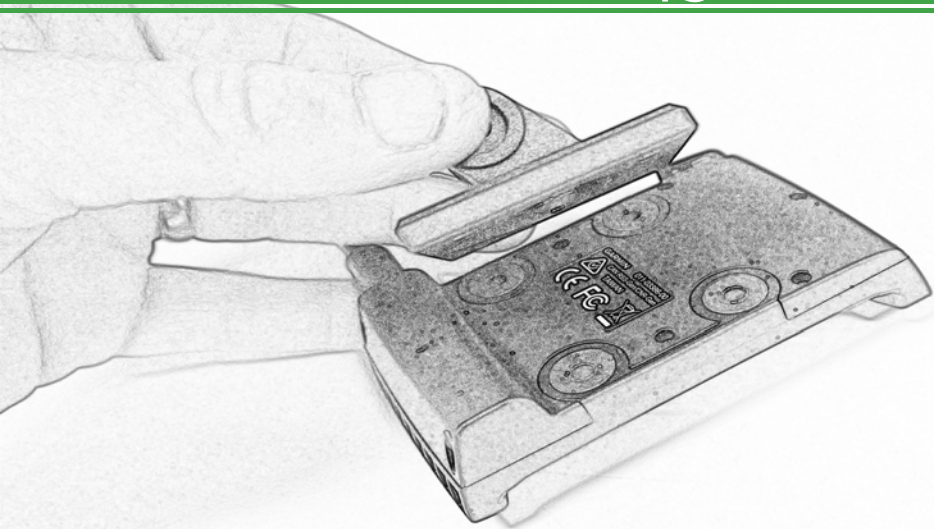


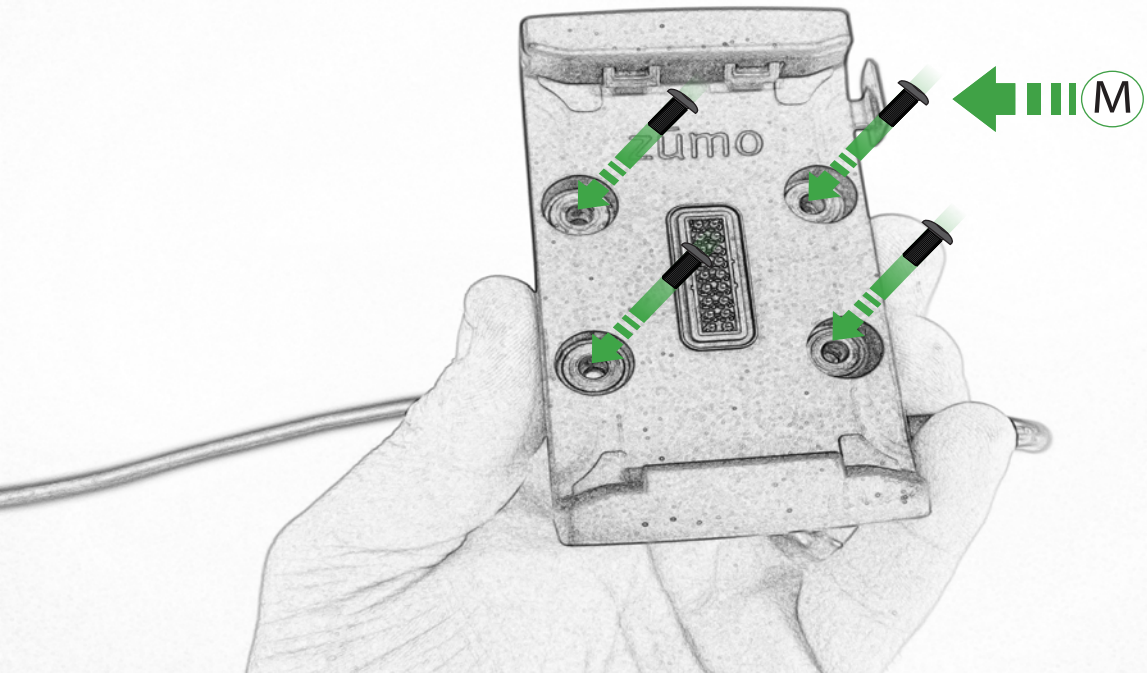


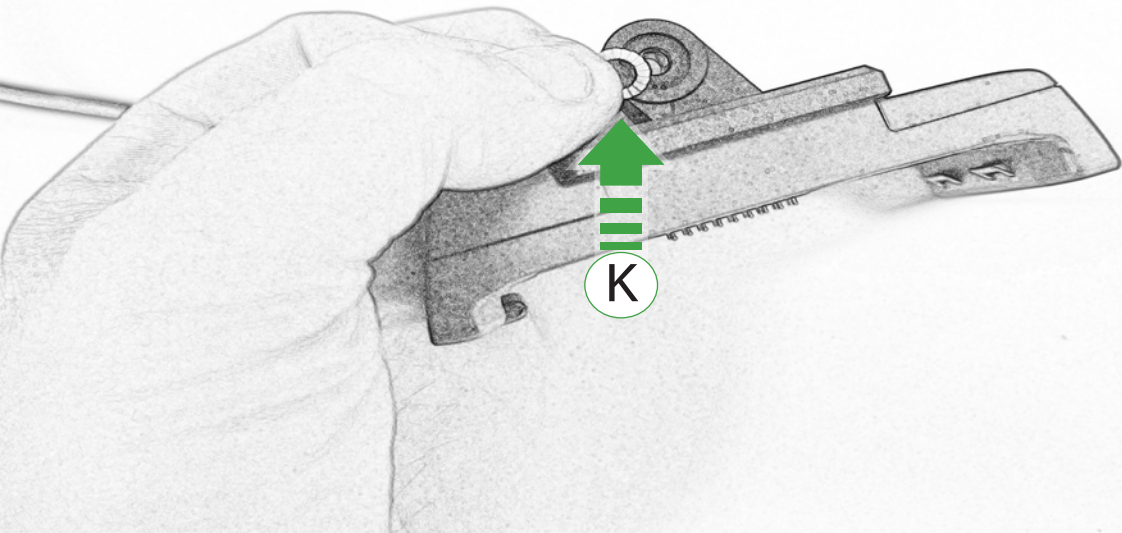
Repeat
Both Sides

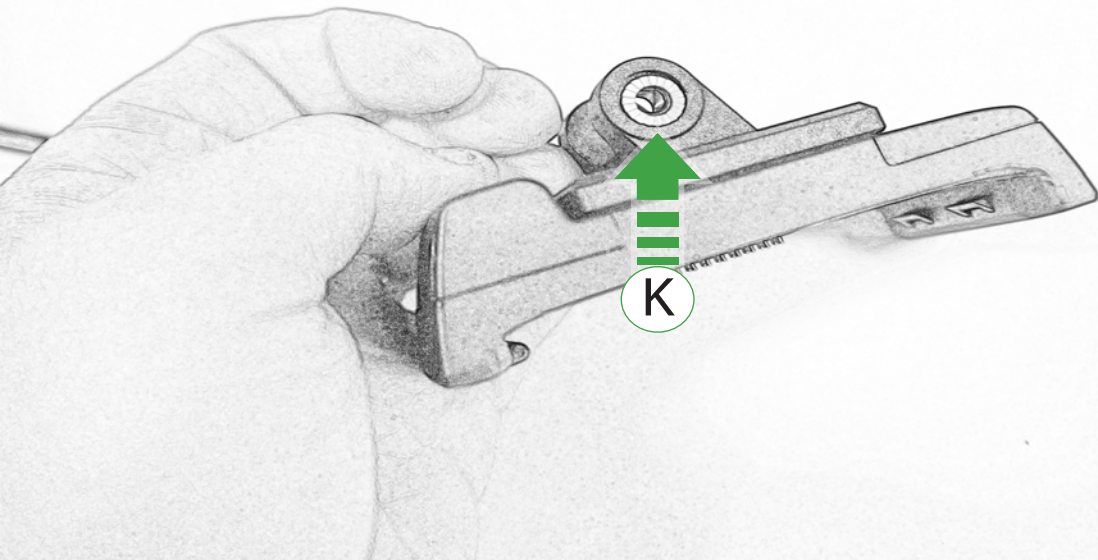


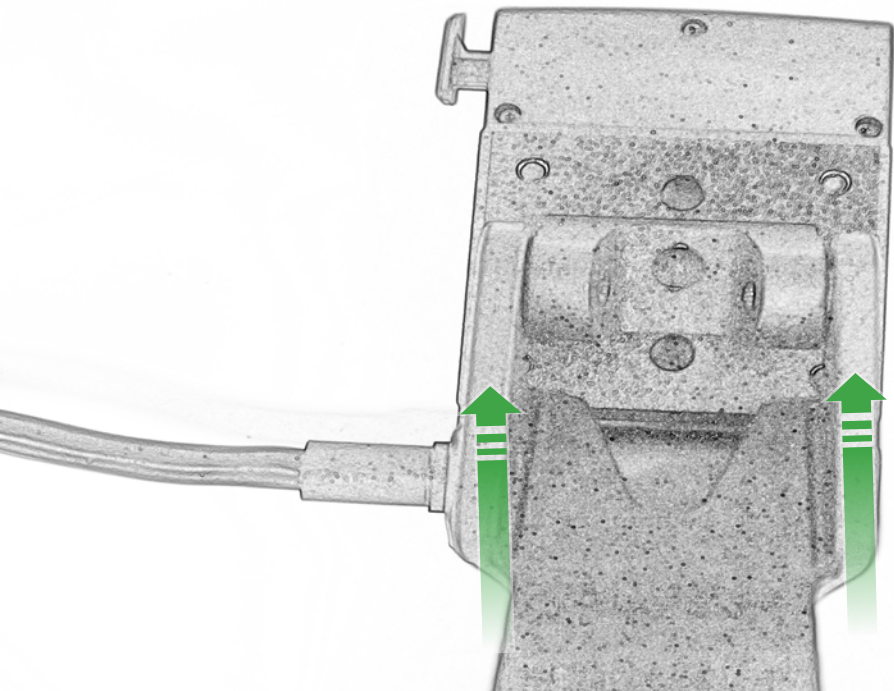


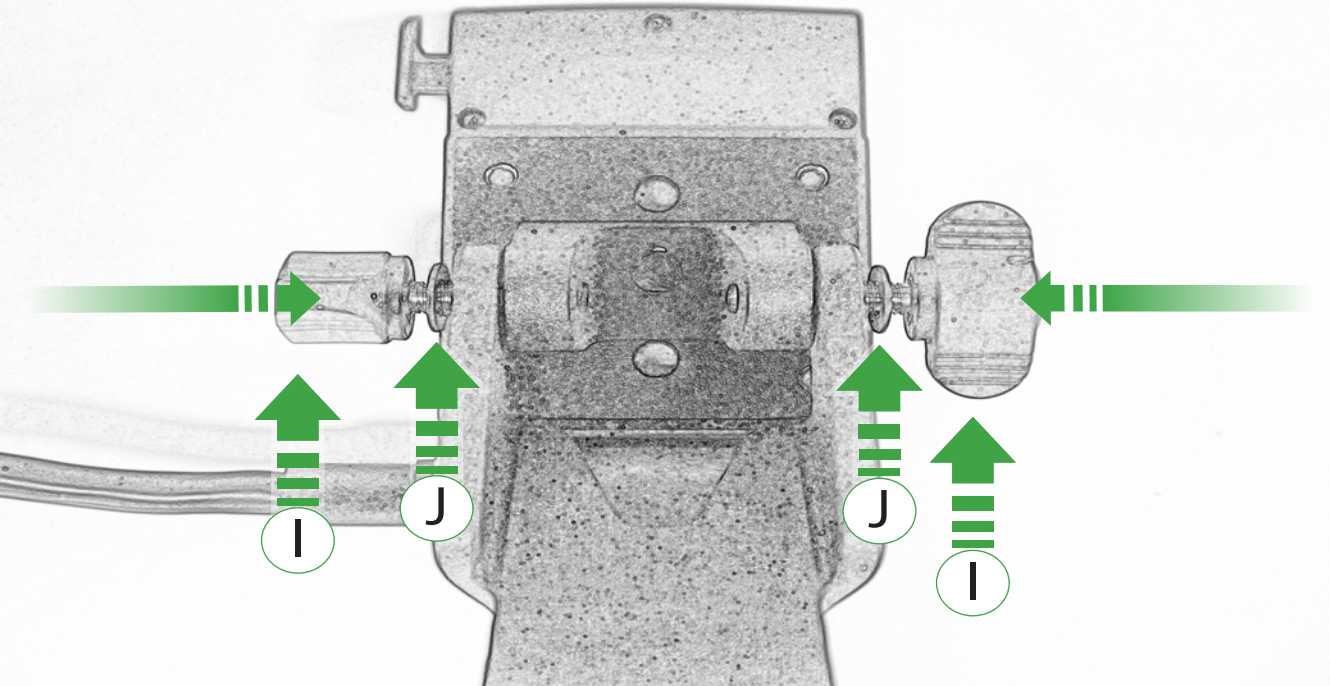


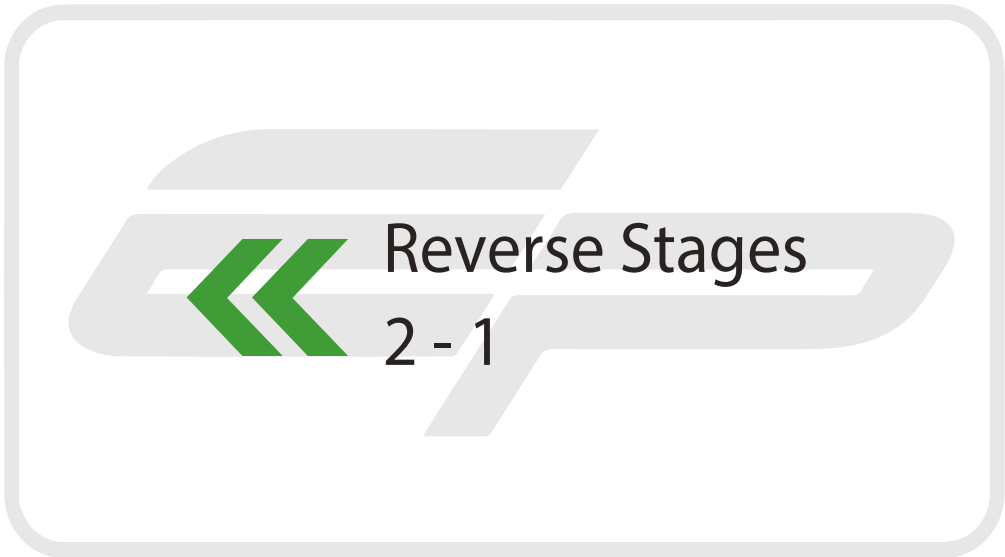














ESSENTIAL CHECKS



It is recommended that periodic inspections are made to ensure that all bolts are tightened to the specified torque settings.

Should the bike be involved in an accident a thorough inspection should be made and any components that have taken an impact, no matter how small, be replaced



EVOTECH®
P E R F O R M A N C E

www.evotech-performance.com