



**EVOTECH**®  
P E R F O R M A N C E

[www.evotech-performance.com](http://www.evotech-performance.com)

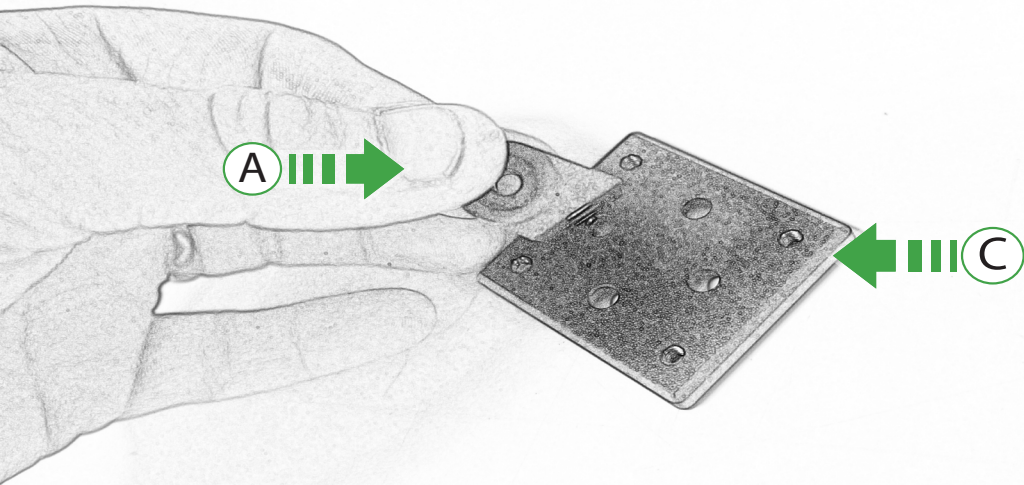
KTM 1290 Super Duke Garmin Sat Nav

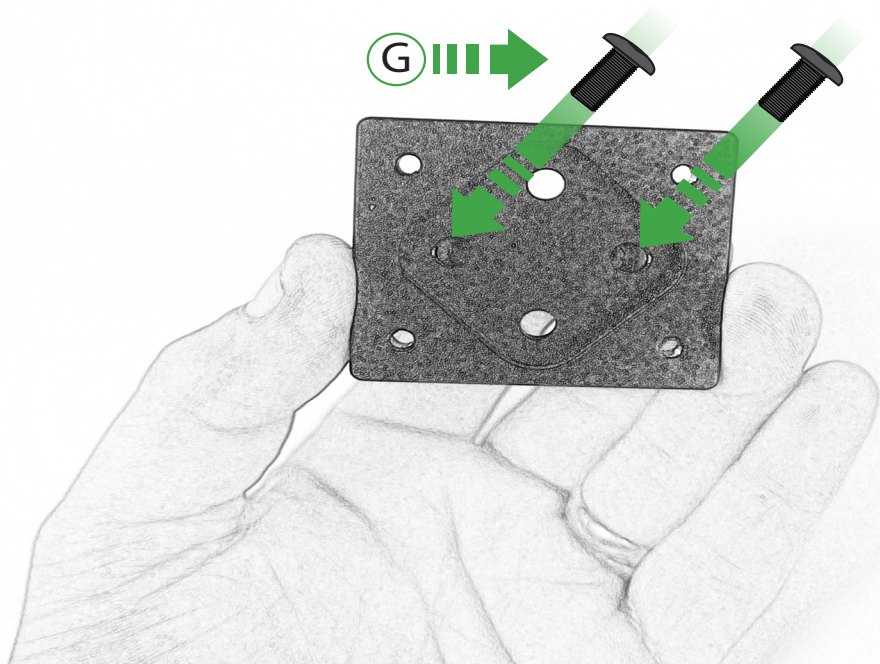
Installation Instructions



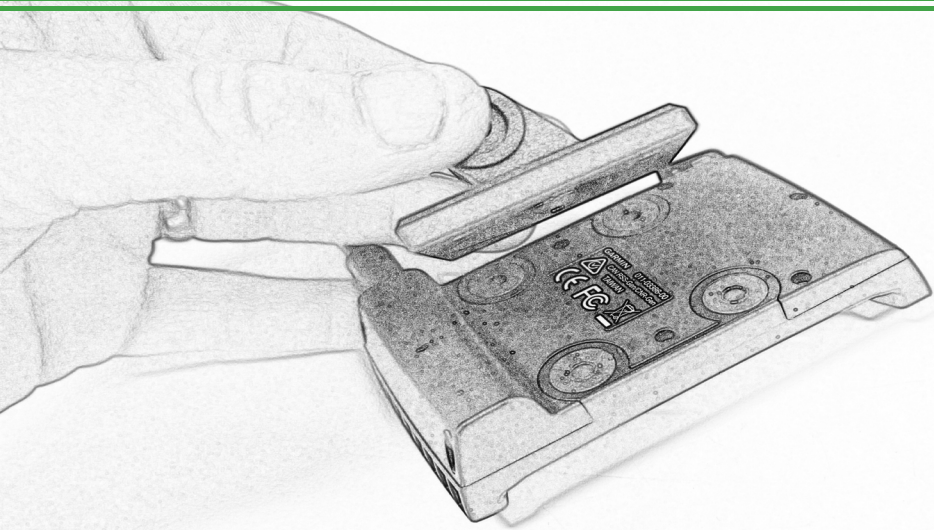
## Kit Contents PRN014566-015584

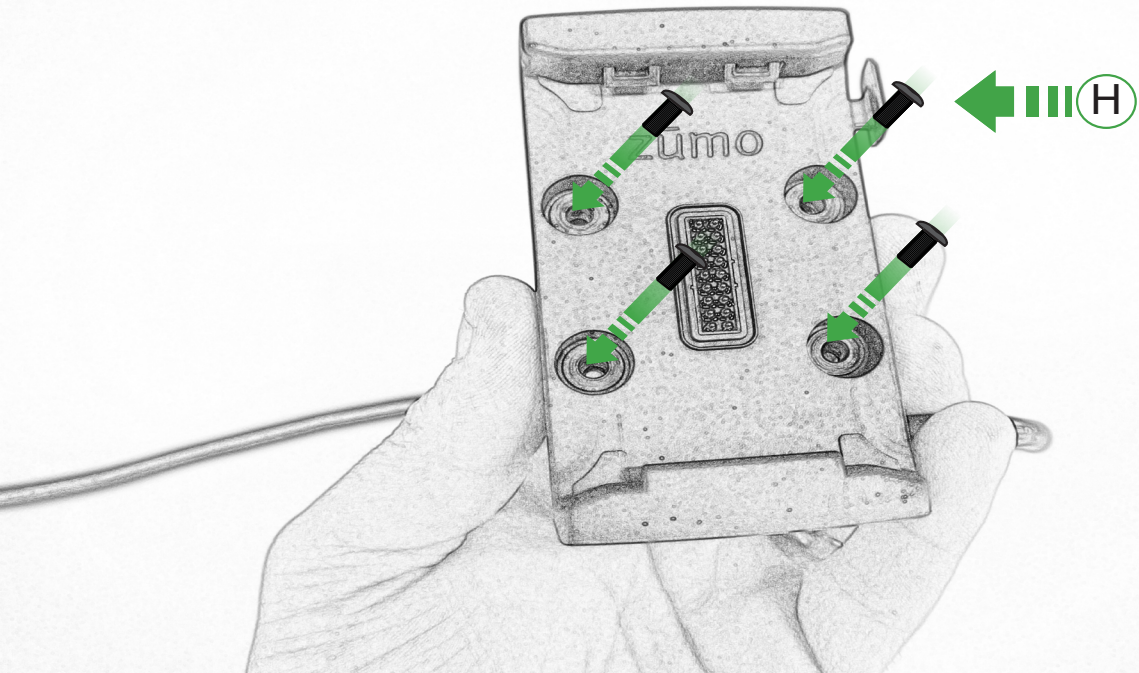
- (A) 1 x Pivot Plate
- (B) 1 x Main Bracket
- (C) 1 x Garmin Plate
- (D) 1 x Rubber Pad
- (E) 2 x Nord Lock Washers
- (F) 2 x M5 x 12 Caphead Bolt
- (G) 2 x M5 x 8mm Black Button Head Bolt
- (H) 4 x M4 x 10mm Black Button Head Bolts
- (I) 4 x Spacers
- (J) 4 x M5 x 40mm Black Button Head Bolts

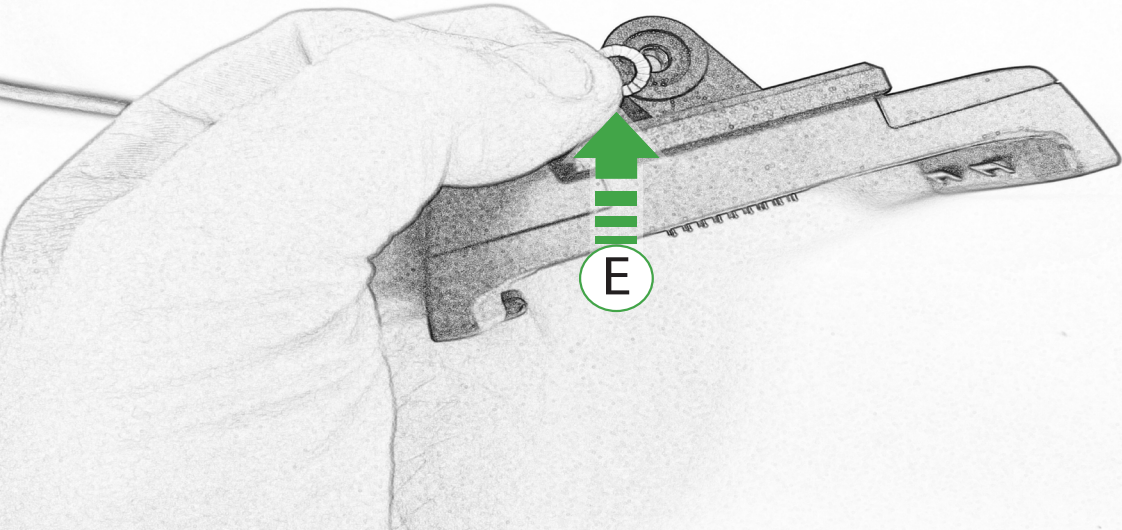


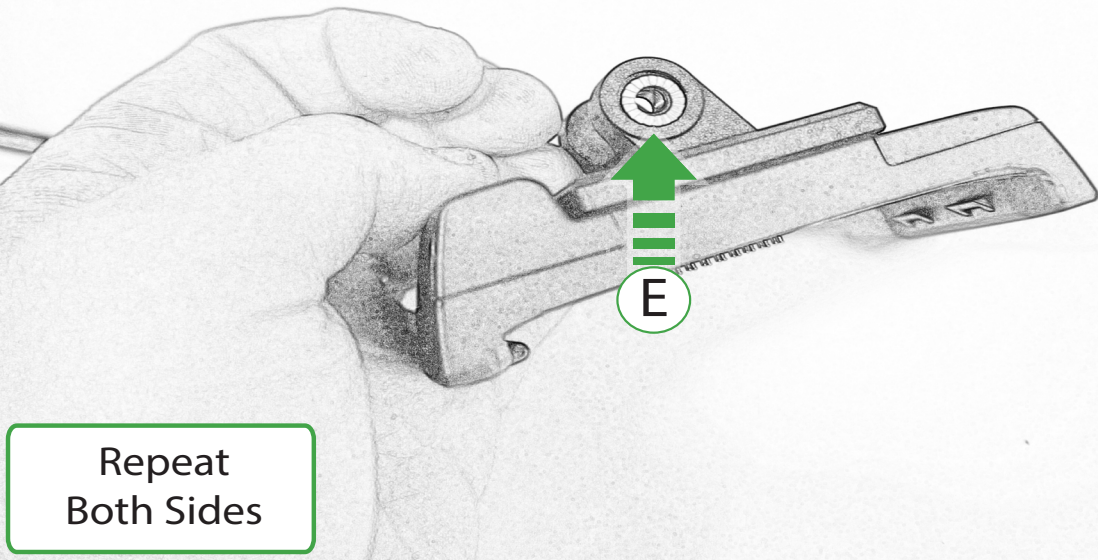




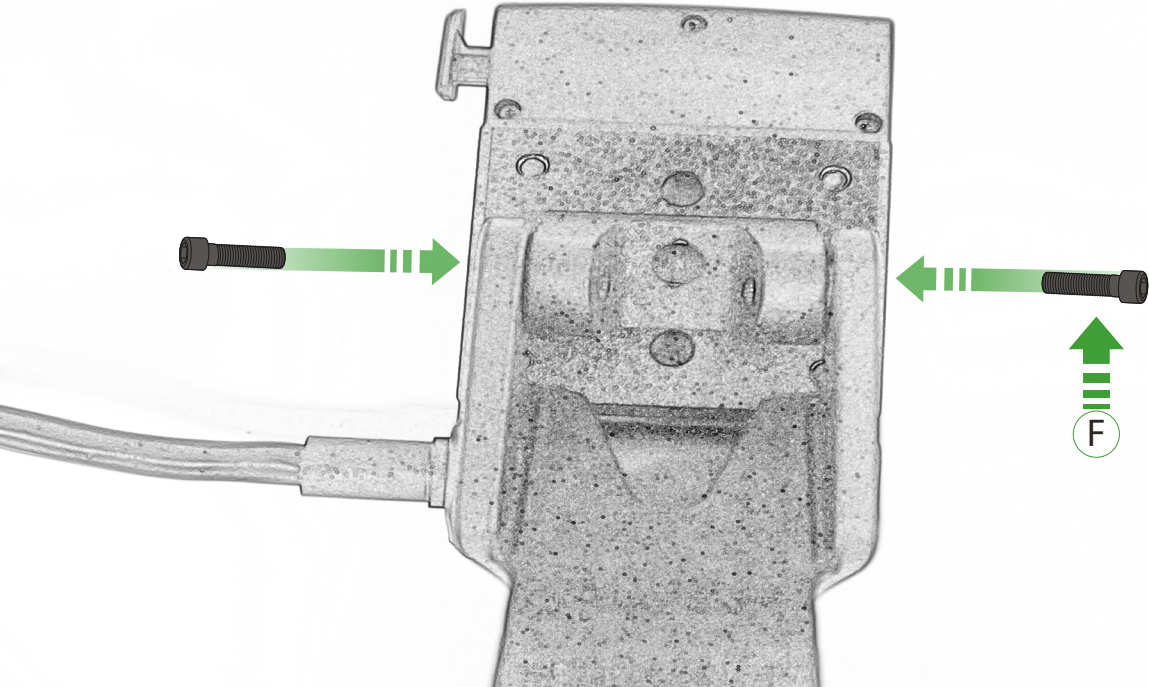




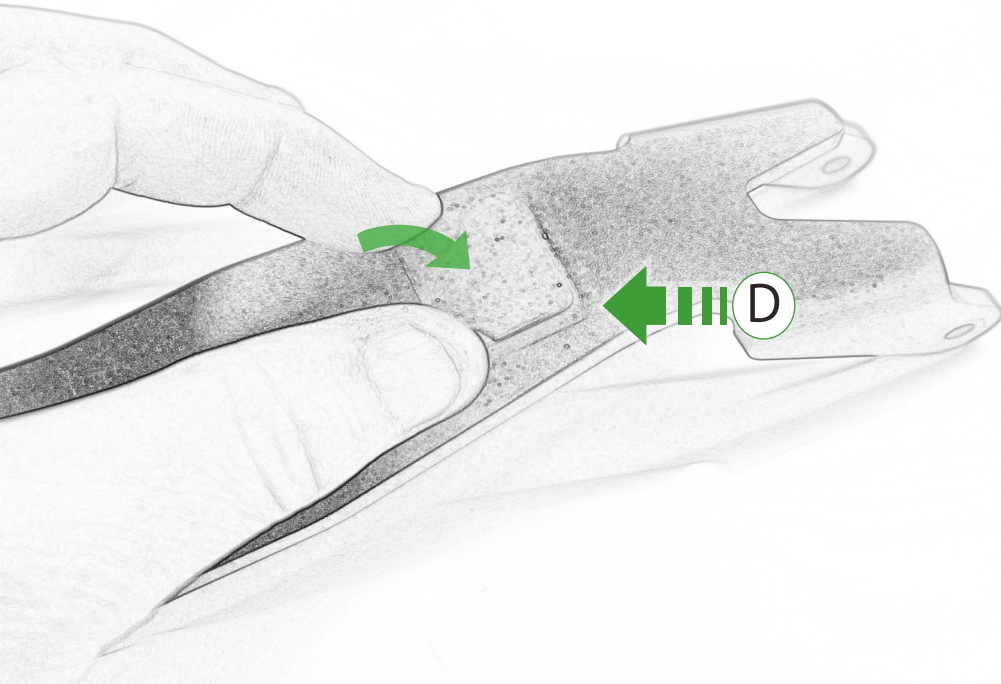


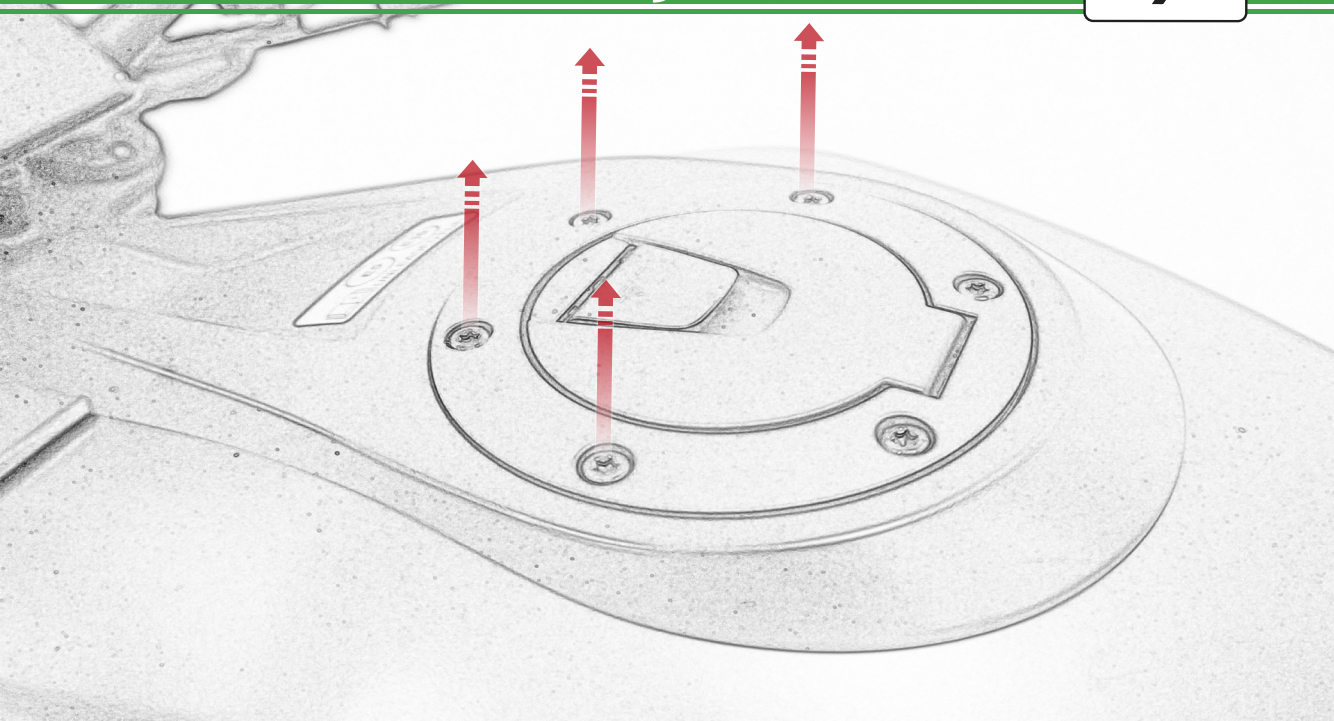


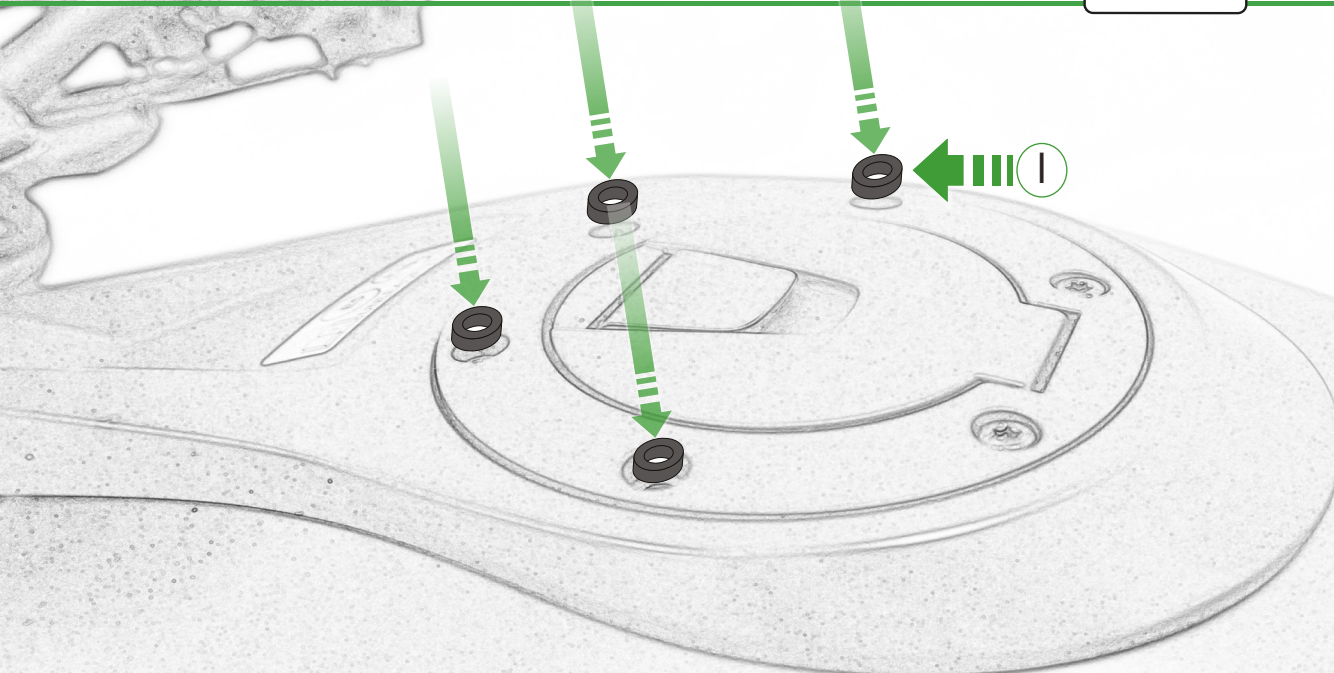
Repeat  
Both Sides



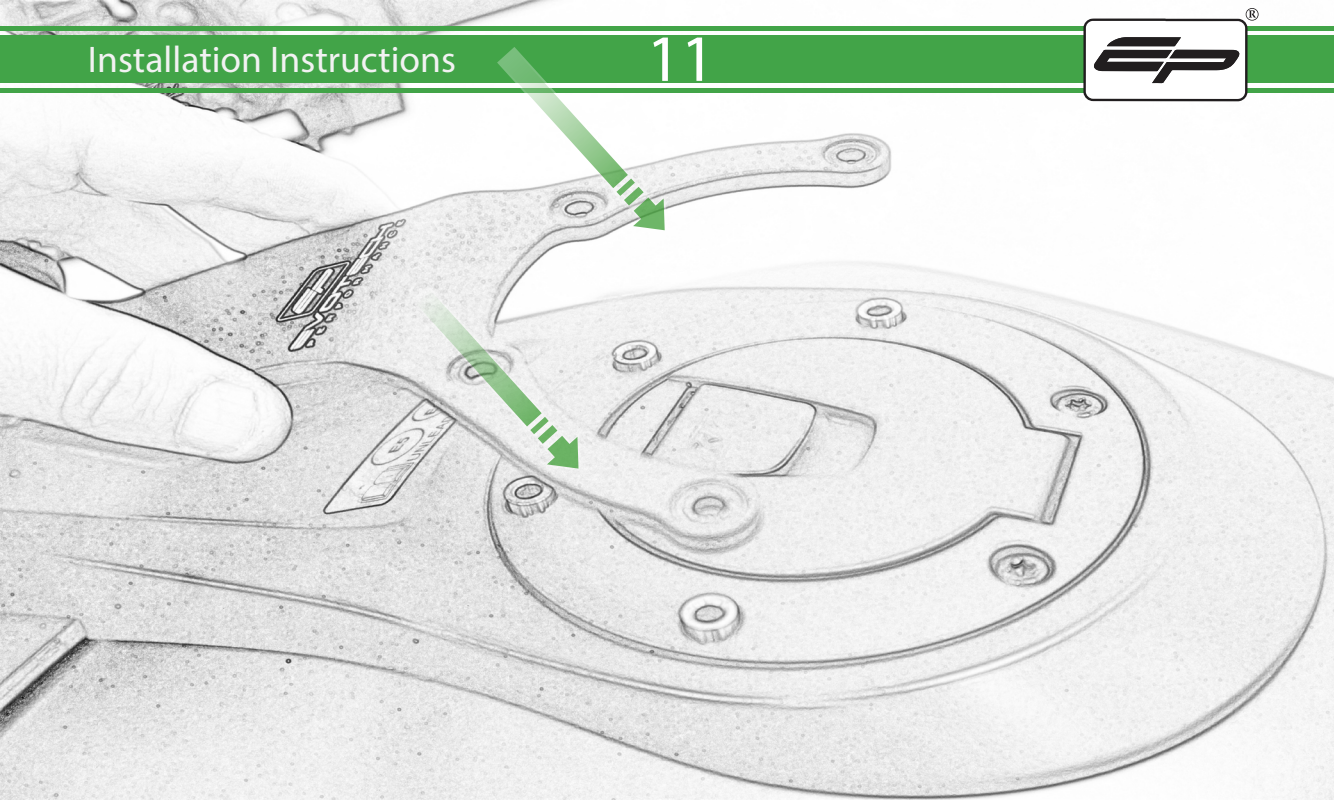


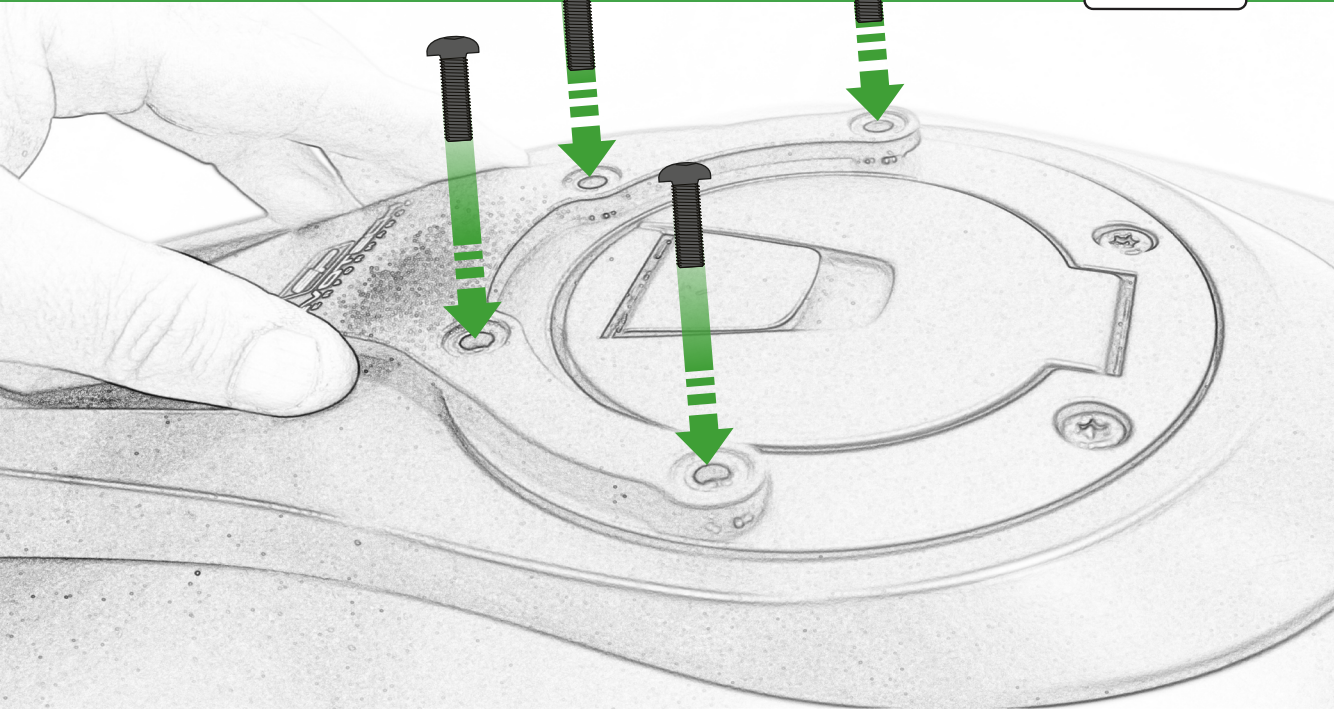














## ESSENTIAL CHECKS



It is recommended that periodic inspections are made to ensure that all bolts are tightened to the specified torque settings.

Should the bike be involved in an accident a thorough inspection should be made and any components that have taken an impact, no matter how small, be replaced



**EVOTECH**®  
P E R F O R M A N C E

[www.evotech-performance.com](http://www.evotech-performance.com)