



EVOTECH®
P E R F O R M A N C E

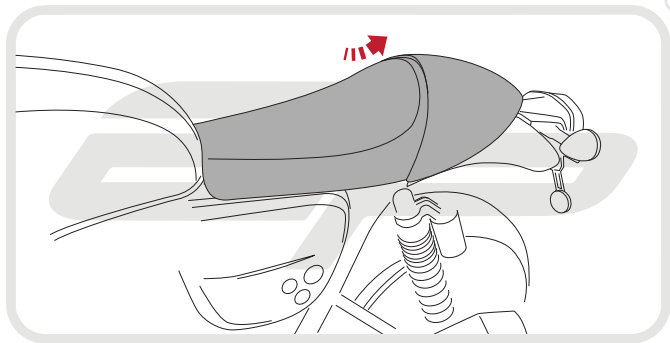
Triumph Thruxton

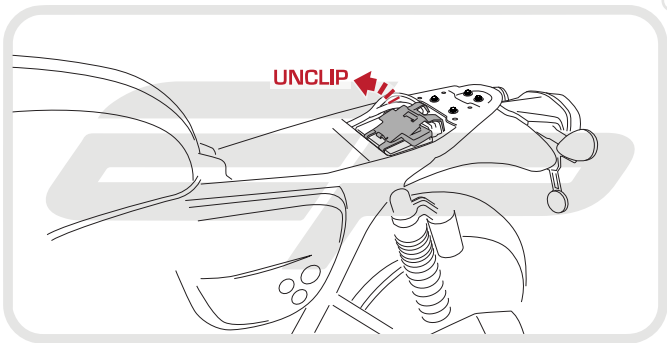
Tail Tidy - 013469

Installation Instructions

Kit Contents

- | | |
|----------------------------------------|-----------------------------------------|
| A 1 x Undertray | N 2 x M6 - 35 Button Head Screws |
| B 1 x Light Bracket | O 2 x M6 - 16 Button Head Screws |
| C 1 x Licence Plate Bracket | P 2 x M5 - 20 Button Head Screws |
| D 1 x ECU Mounting Bracket | Q 2 x M5 Washers |
| E 1 x ECU Cover Plate | R 2 x M4 - 25 Cap Head Screws |
| F 1 x Indicator Housing | S 2 x M4 - 16 Button Head Screws |
| G 1 x Indicator Housing Cover | T 2 x M4 - 12 Button Head Screws |
| H 1 x Light Mount | U 2 x M4 - 8 Button Head Screws |
| I 1 x LED Tail/Stop Light | V 4 x M10 Washers |
| J 1 x Wiring Harness | W 4 x M6 Nyloc Nuts |
| K 1 x Reflector Bracket Kit | X 4 x M6 Washers |
| L 1 x Neoprene Set | Y 4 x M4 Flange Nuts |
| M 1 x M6 - 12 Button Head Screw | |

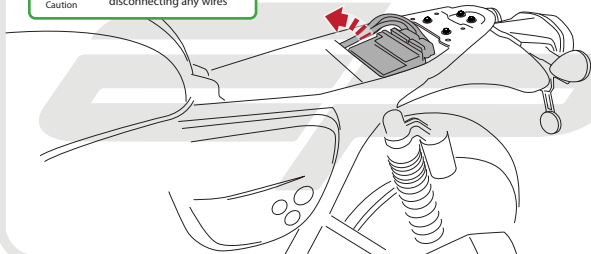






Caution

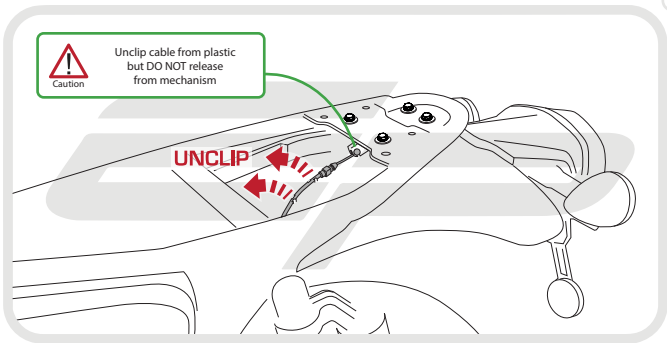
Lift ECU out and rotate
out of the way **WITHOUT**
disconnecting any wires

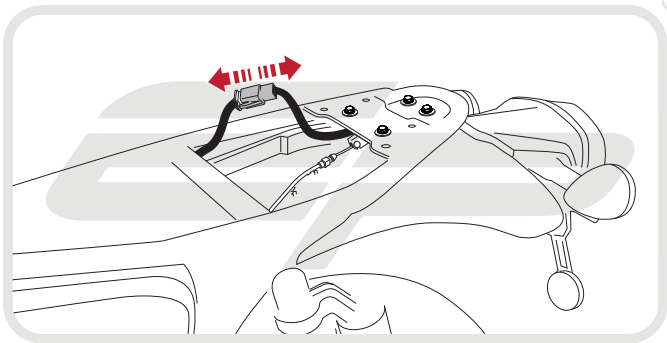


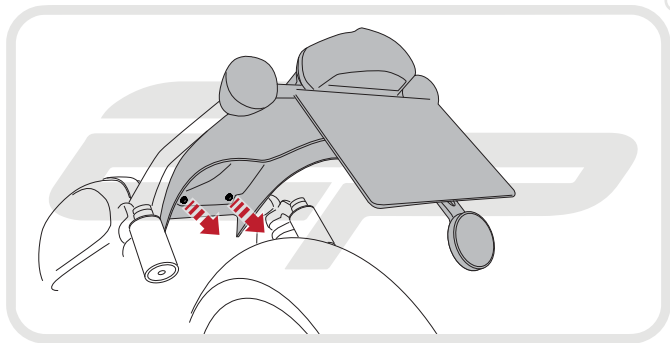


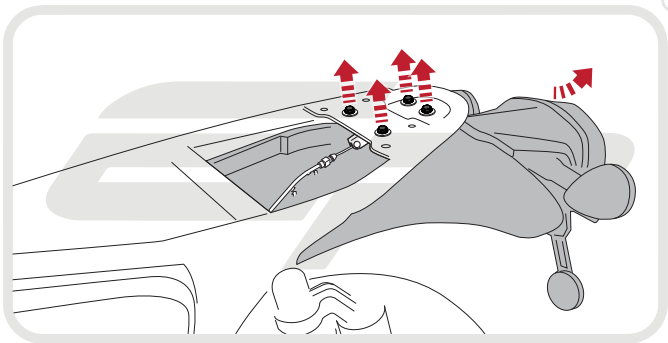
Caution

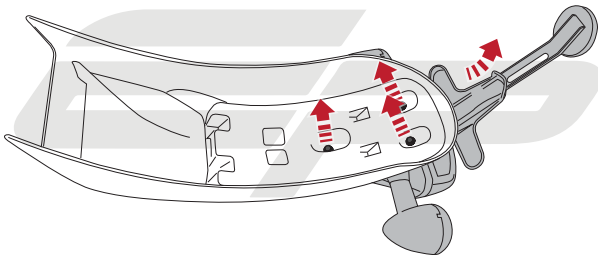
Unclip cable from plastic
but DO NOT release
from mechanism

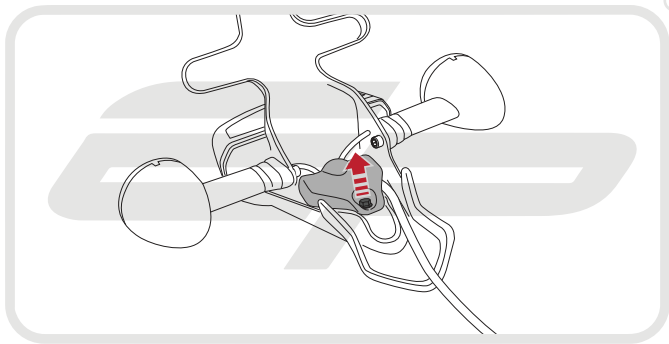
UNCLIP

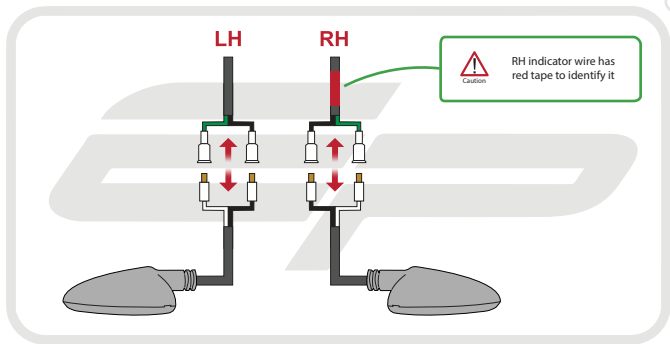


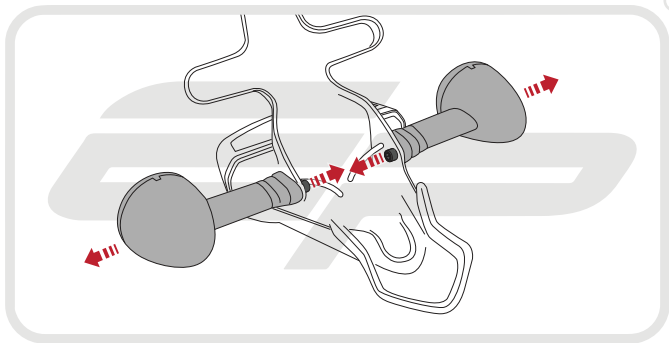


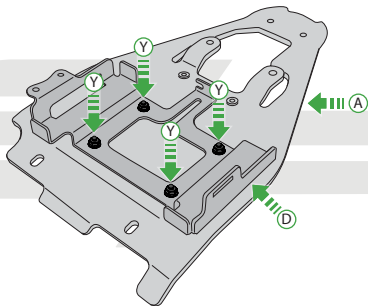


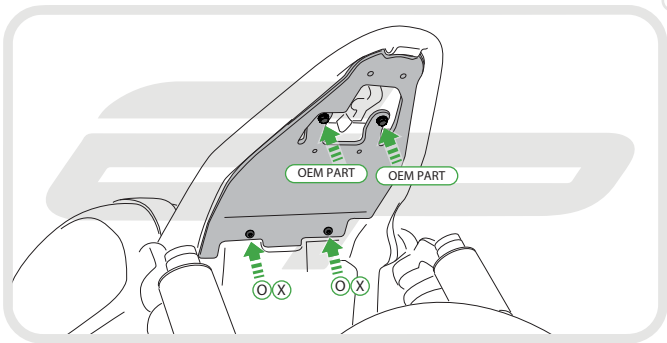












Remove OEM top hat washer
and fit M10 washer
inbetween top hat and
rubber grommet

W

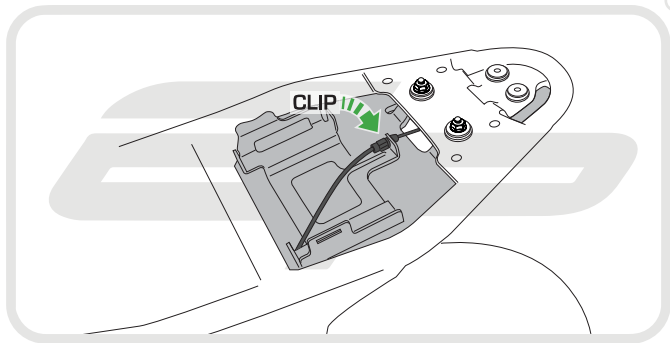


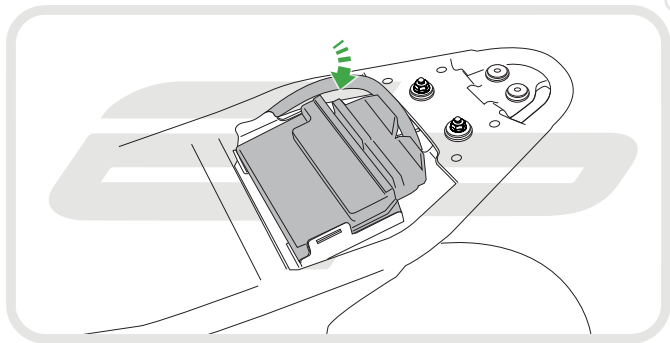
OEM PART

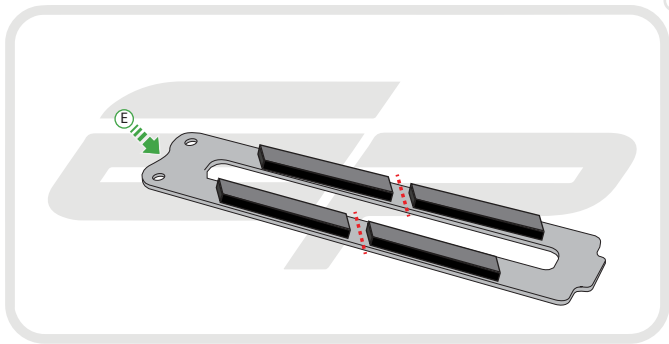


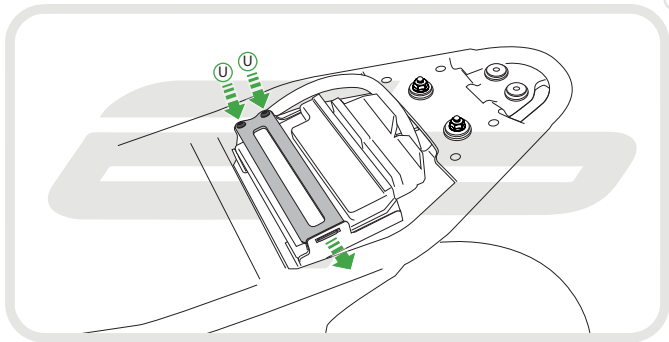
V

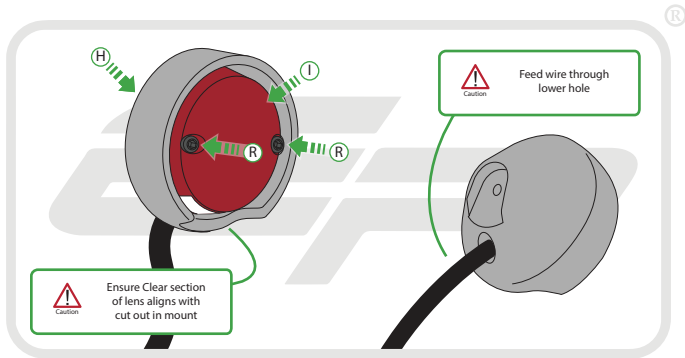


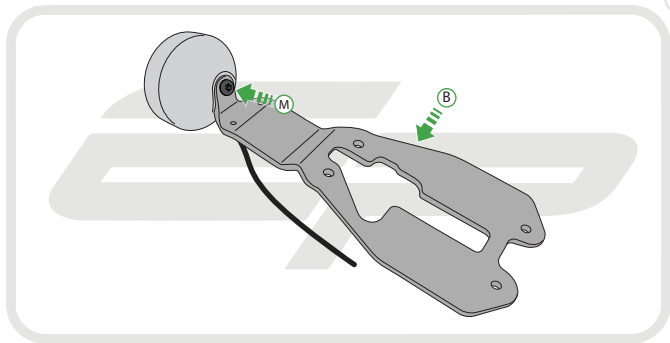


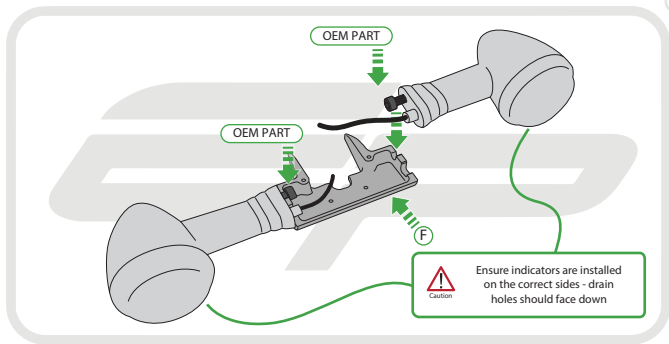








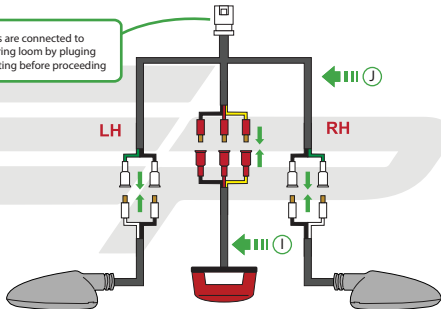






Caution

Check indicators are connected to correct sides of wiring loom by plugging into the bike and testing before proceeding

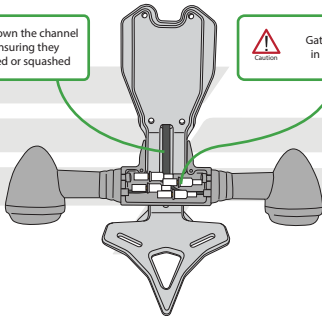


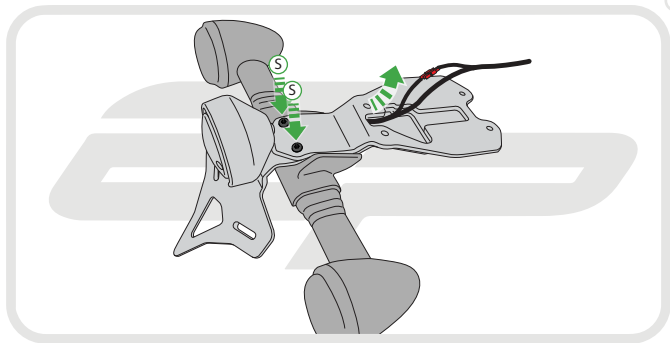


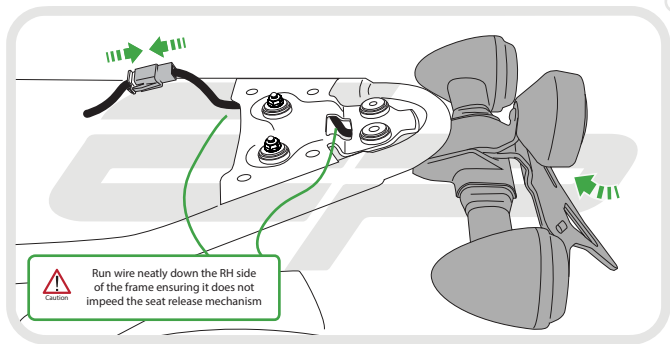
Run wires neatly down the channel in both parts ensuring they do not get trapped or squashed

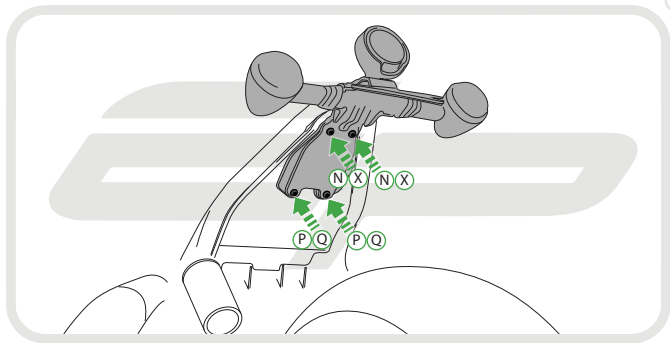


Gather indicator connectors in this area of the housing









EVOTECH[®]
P E R F O R M A N C E

Remove OEM top hat washer
and fit M10 washer
inbetween top hat and
rubber grommet

W



OEM PART



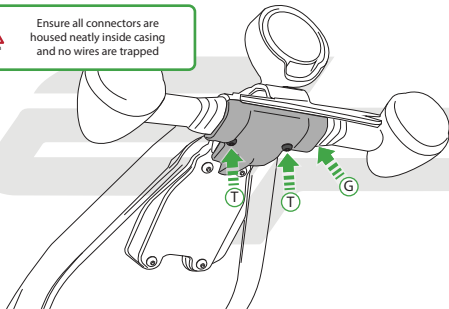
V





Caution

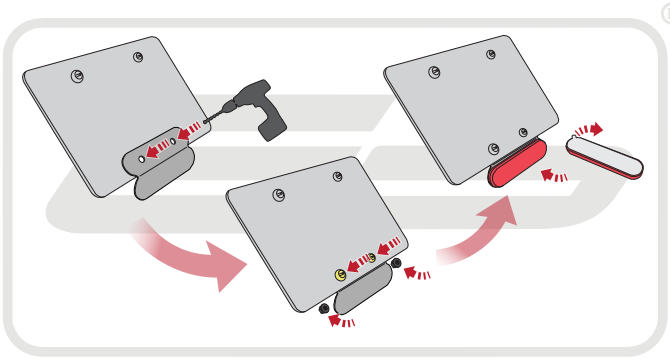
Ensure all connectors are housed neatly inside casing and no wires are trapped





Reverse Stage 1

Reflector Bracket Installation





ESSENTIAL CHECKS



After installation of your tail tidy ensure that the licence plate does not contact the rear tyre when suspension is fully compressed.

Ensure all electrics including indicators, tail light, brake light and licence plate light lights are working correctly before riding the motorcycle.

It is recommended that periodic inspections are made to ensure that all fixings are fully tightend.



EVOTECH®
P E R F O R M A N C E

www.evotech-performance.com