



EVOTECH®
P E R F O R M A N C E

Installation Instructions

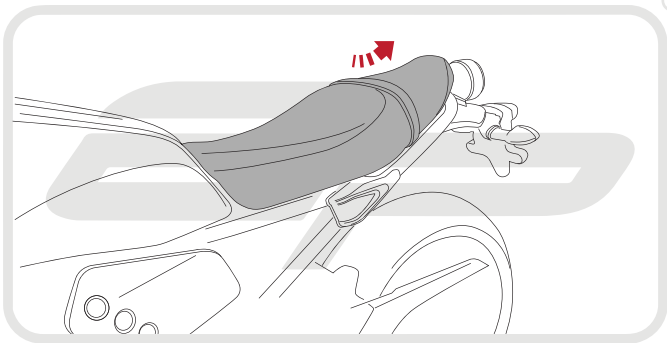


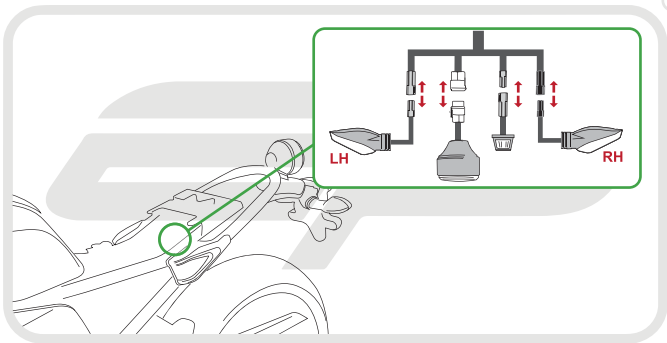
YAMAHA XSR700 TAIL TIDY

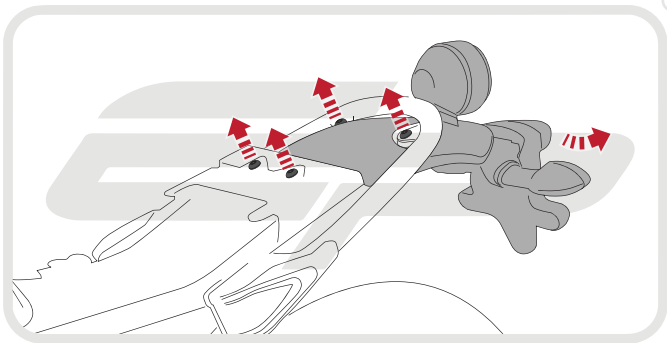
Product Reference - 13238

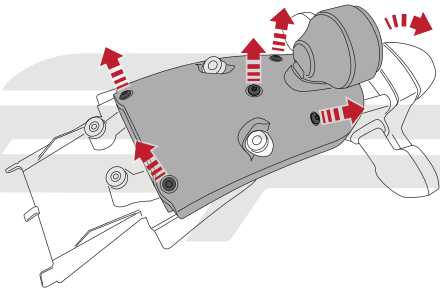
Kit Contents

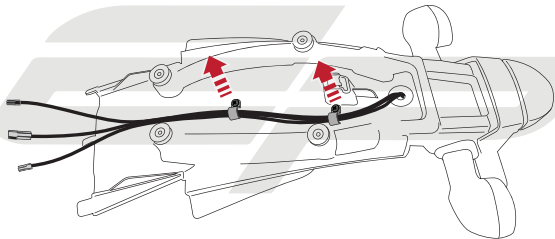
- | | |
|---|-----------------------------------|
| Ⓐ 1 x Main Tail Tidy | Ⓕ 2 x M6 - 16 Black Button Screws |
| Ⓑ 1 x Indicator Bracket | Ⓜ 2 x M6 Nyloc Nuts |
| Ⓒ 1 x Plastic Undertray | Ⓝ 2 x M6 Black Washers |
| Ⓓ 1 x Reflector and Bracket | Ⓞ 2 x M5 Nyloc Nuts |
| Ⓔ 1 x LED Light Unit (with nuts attached) | Ⓟ 2 x M4 Nyloc Nuts |
| Ⓕ 1 x Stainless Mounting Boss | Ⓠ 3 x Undertray Tabs |
| Ⓖ 1 x Wiring Connector | Ⓡ 3 x M4 - 8 Black Button Screws |
| Ⓗ 1 x M5 - 16 Black Button Screw | Ⓢ 5 x M4 Black Washers |
| Ⓘ 1 x M5 Black Washer | Ⓣ 5 x Cable Ties |
| Ⓝ 2 x Plastic Spacers | Ⓤ 8 x M5 - 10 Black Button Screws |
| Ⓚ 2 x Plastic Nuts and Screws | Ⓟ 2 x M6 - 25 Black Button Screws |

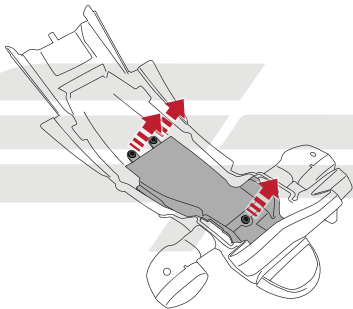


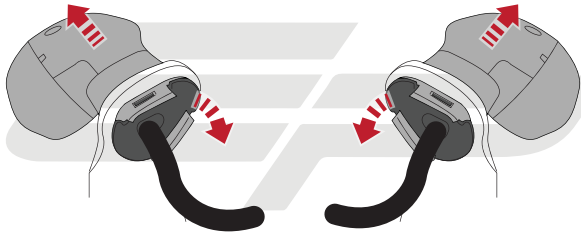






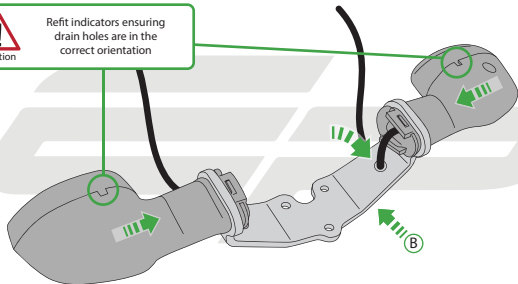


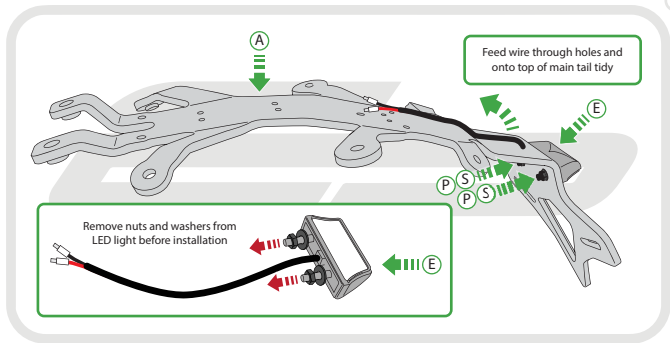






Refit indicators ensuring
drain holes are in the
correct orientation

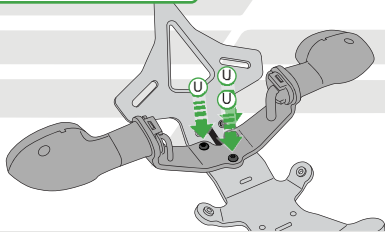






Caution

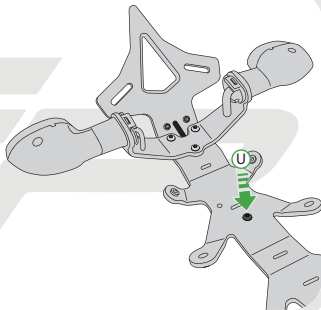
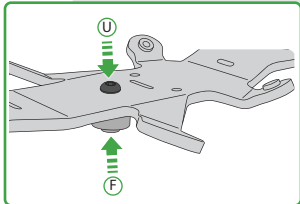
Follow this stage if bike has paniers fitted.
If NOT running paniers please move
on to the next stage





Caution

Follow this stage if bike has paniers fitted.
If NOT running paniers please move
on to the next stage





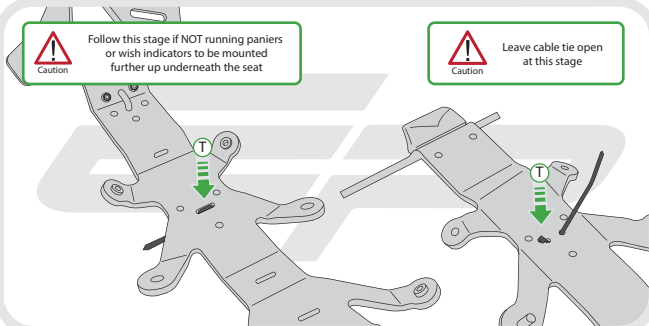
Caution

Follow this stage if NOT running paniers
or wish indicators to be mounted
further up underneath the seat



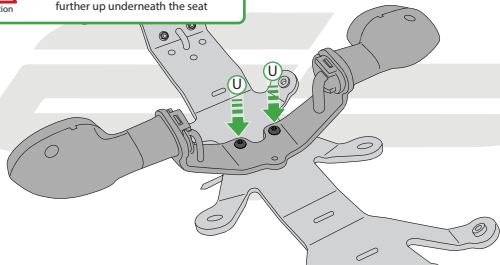
Caution

Leave cable tie open
at this stage





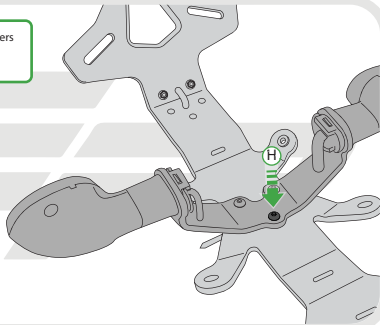
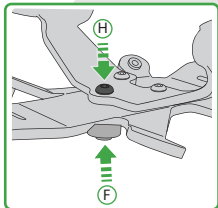
Follow this stage if NOT running paniers
or wish indicators to be mounted
further up underneath the seat

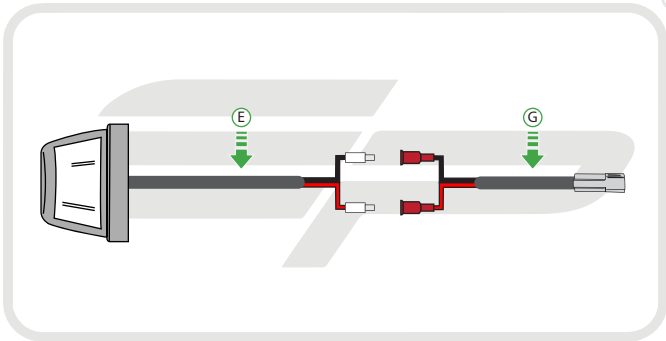


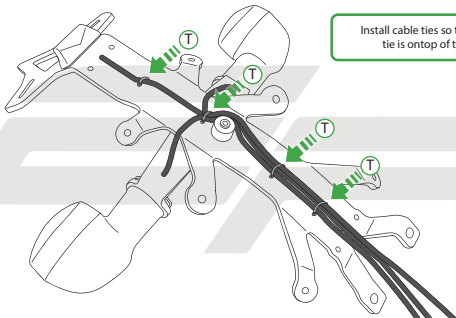


Caution

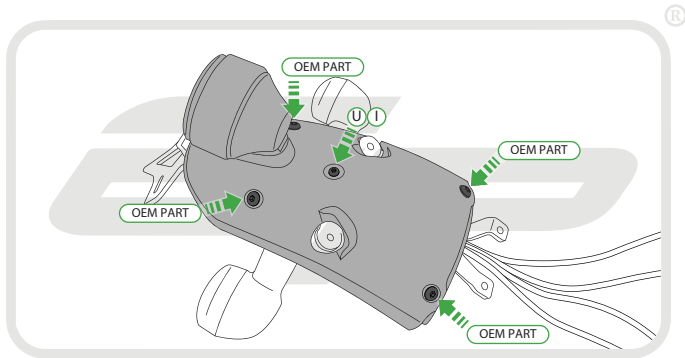
Follow this stage if NOT running paniers
or wish indicators to be mounted
further up underneath the seat

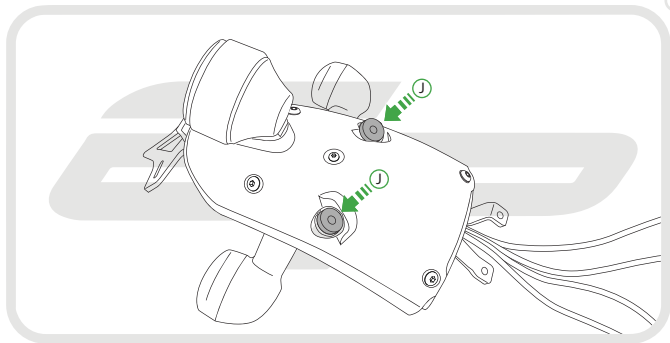




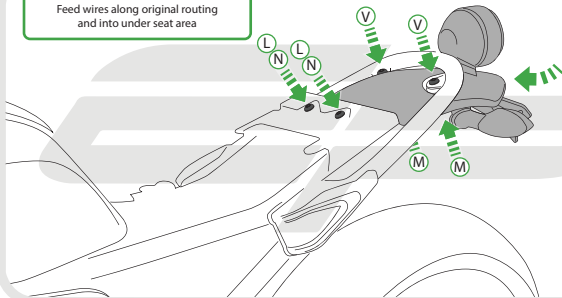


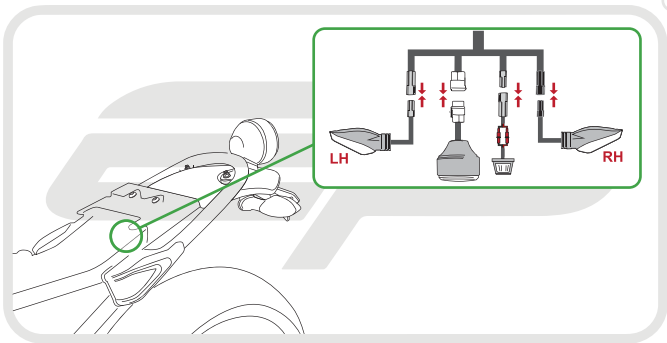
Install cable ties so the head of the tie is outtop of the tail tidy

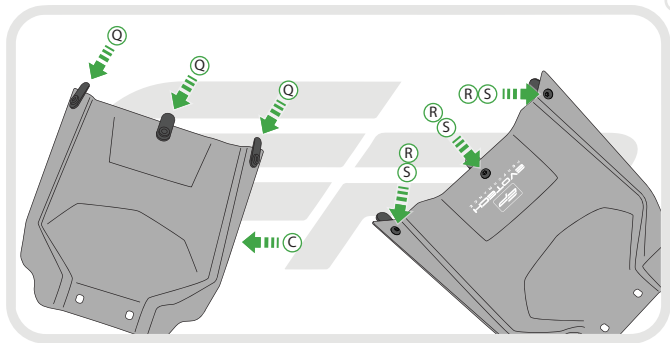




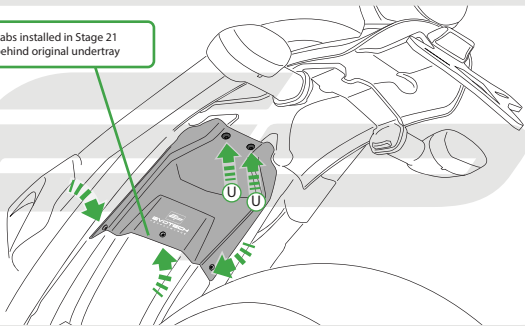
Feed wires along original routing
and into under seat area

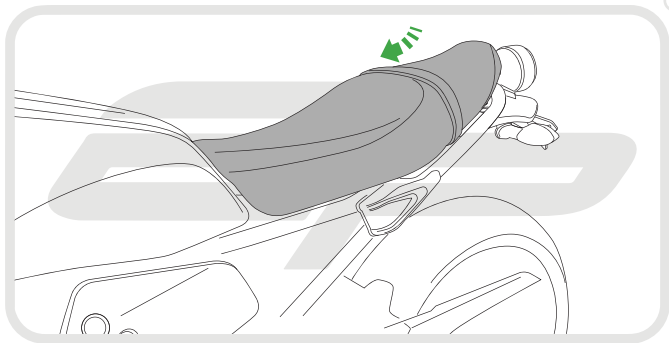




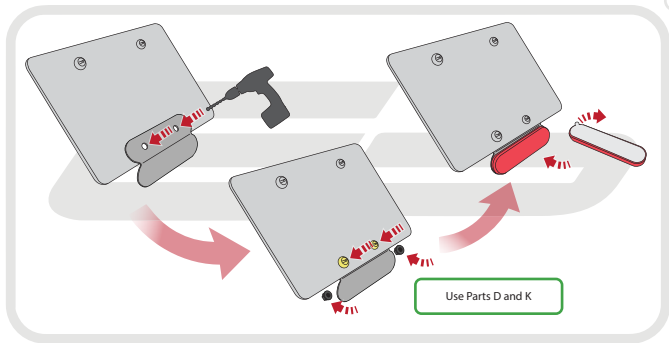


Ensure tabs installed in Stage 21
tuck in behind original undertray





Reflector Bracket Installation



EVOTECH[®]
P E R F O R M A N C E



ESSENTIAL CHECKS



After installation of your tail tidy ensure that the licence plate does not contact the rear tyre when suspension is fully compressed.

Ensure all electrics including indicators, tail light, brake light and licence plate light lights are working correctly before riding the motorcycle.

It is recommended that periodic inspections are made to ensure that all fixings are fully tightend.



EVOTECH®
P E R F O R M A N C E

www.evotech-performance.com