



EVOTECH®
P E R F O R M A N C E

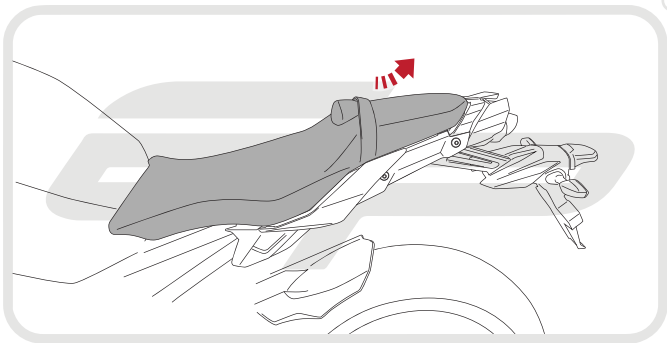
Installation Instructions

YAMAHA MT-10 TAIL TIDY

Product Reference - 13234

Kit Contents

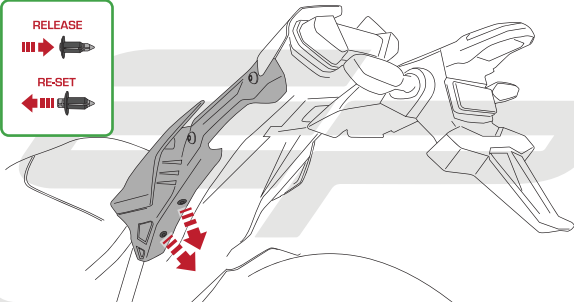
- | | |
|--|---|
| A 1 x Upper Bracket | I 1 x M4 Washer |
| B 1 x Lower Bracket | J 2 x M6 - 30 Socket Button Screws |
| C 1 x Cover Plate | K 2 x M6 - 25 Socket Button Screws |
| D 1 x LED Light Unit | L 2 x M3 - 12 Socket Button Screws |
| E 1 x Reflector and Bracket | M 2 x Plastic Screws and Nuts |
| F 1 x Rubber Grommet | N 2 x Male Bullet Connectors |
| G 1 x Wiring Connector | O 4 x M6 Washers |
| H 1 x M4 - 8 Socket Button Screws | P 5 x Cable Ties |

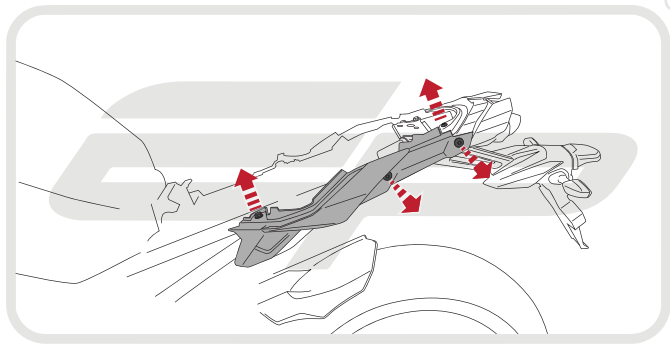


RELEASE



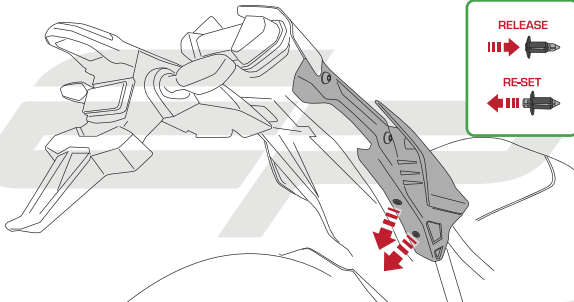
RE-SET



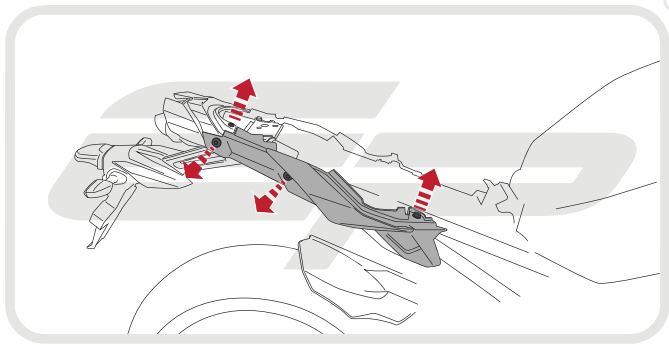


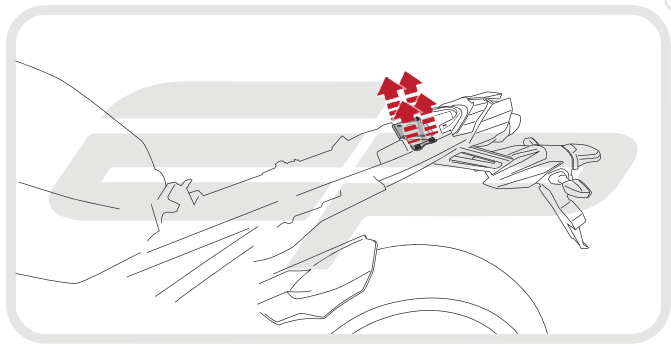


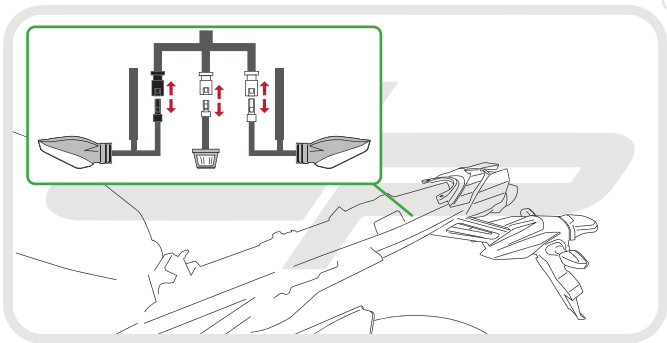
®

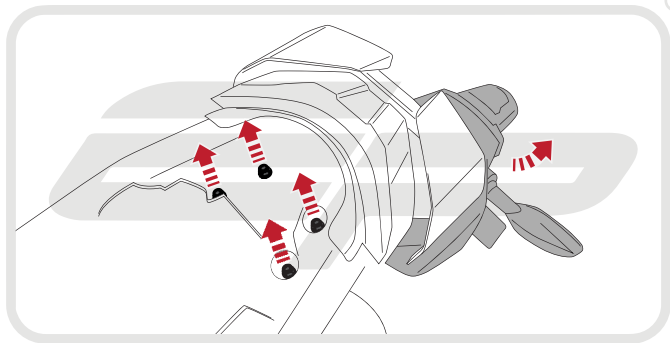


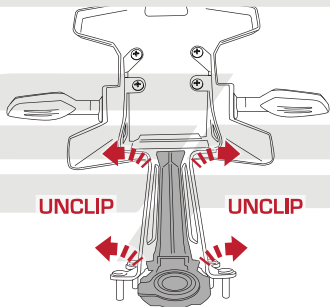
EVOTECH[®]
P E R F O R M A N C E



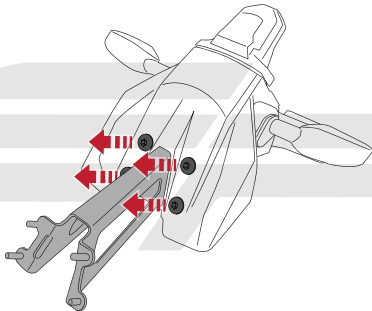


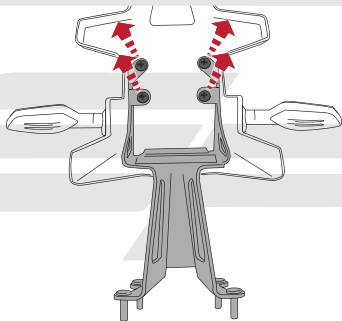


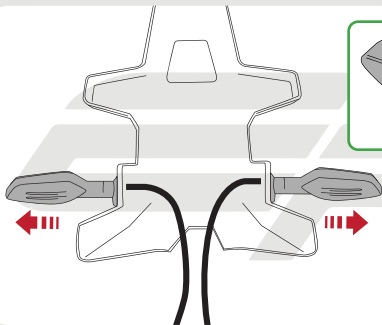
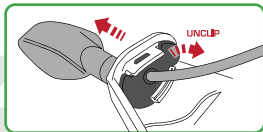


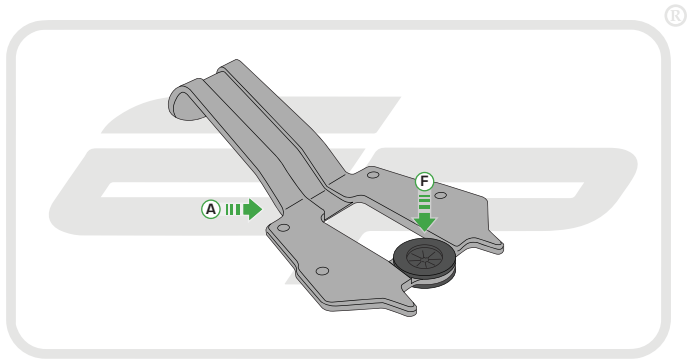


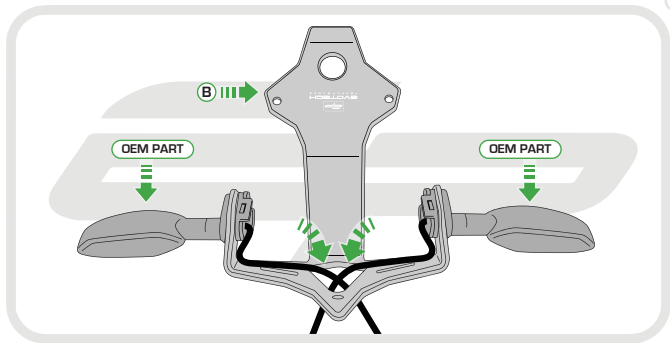
EVOTECH[®]
P E R F O R M A N C E

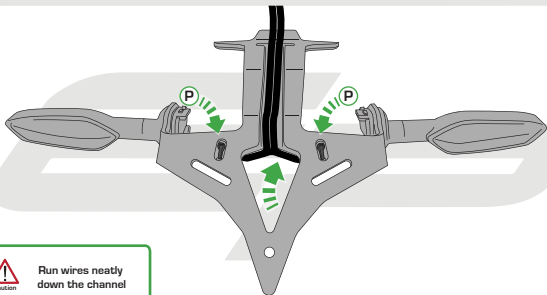






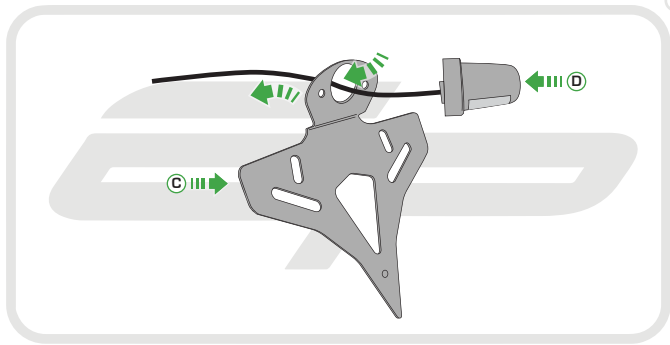






Caution

Run wires neatly
down the channel





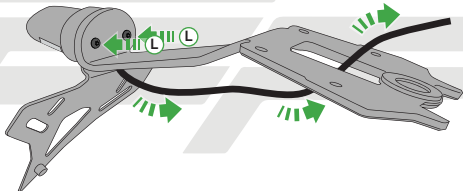
Caution

Sandwich thin cover plate between light and upper bracket ensuring screws pass through all parts



Caution

Pull wires through large slot in the tail tidy NOT through the rubber grommet

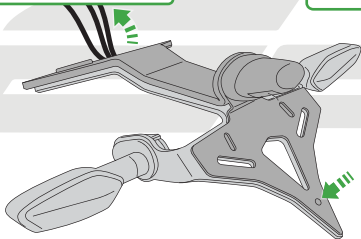




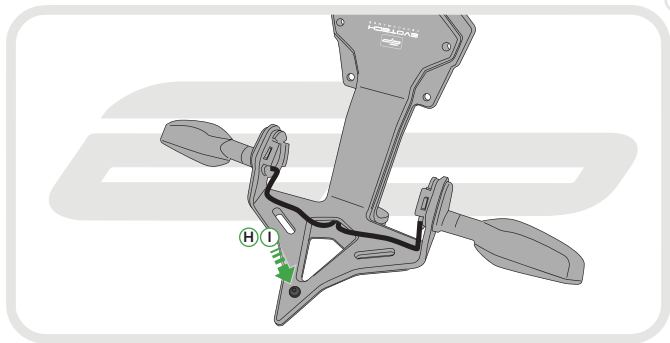
Pull wires through large slot in the tail tidy **NOT** through the rubber grommet



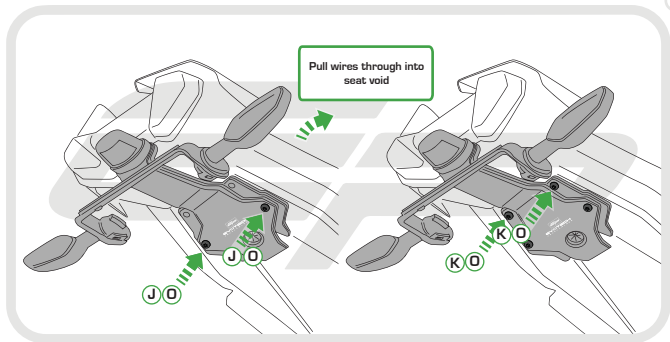
Run wires neatly down the channel in both parts ensuring they do not get trapped or squashed

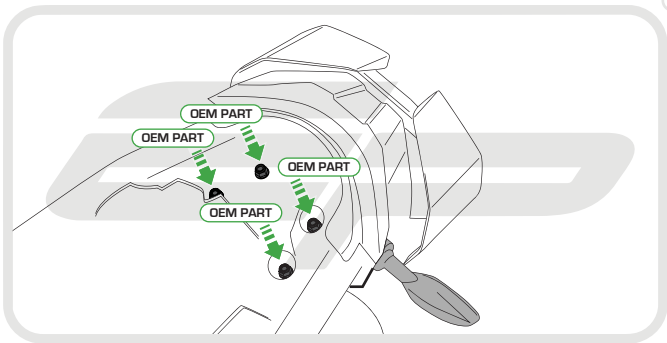


Ensure threaded pin locates through the hole in main tail tidy



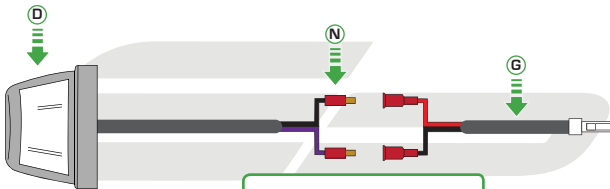
EVOTECH[®]
P E R F O R M A N C E







®



Caution

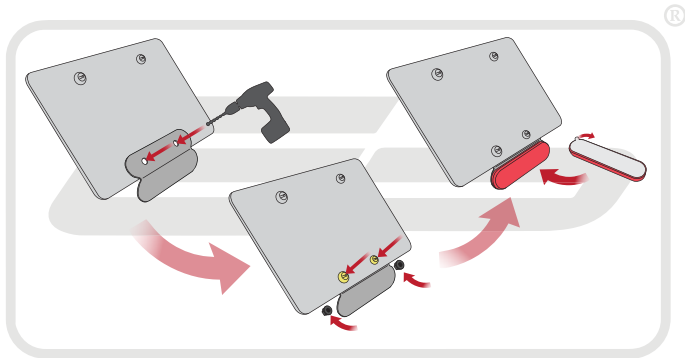
Take careful note of wire
configuration - **MUST** be Red-Black
and Purple-Black



Reverse Stages

6 - 1

Reflector Bracket Installation



EVOTECH[®]
P E R F O R M A N C E



 **ESSENTIAL CHECKS** 

After installation of your tail tidy ensure that the licence plate does not contact the rear tyre when suspension is fully compressed.

Ensure all electrics including indicators, tail light, brake light and licence plate light lights are working correctly before riding the motorcycle.

It is recommended that periodic inspections are made to ensure that all fixings are fully tightend.



EVOTECH®
P E R F O R M A N C E

www.evotech-performance.com