



EVOTECH®
P E R F O R M A N C E

Installation Instructions

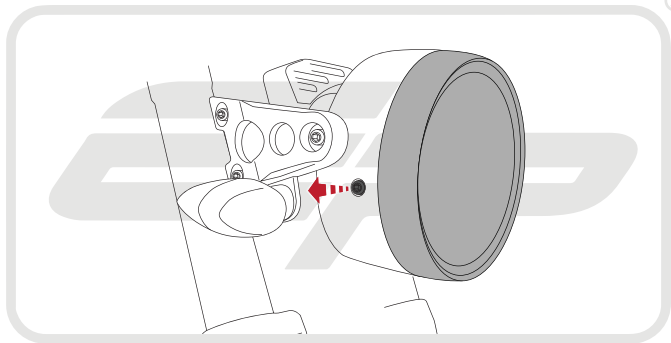


YAMAHA XSR 900 HEADLIGHT GUARD

Product Reference - 13223

Kit Contents

- | | |
|------------------------------------|---------------------------------------------------|
| A 1 x Headlight Guard | E 4 x M4 Washers |
| B 1 x RH Bracket | F 4 x M4 - 8 Button Screws |
| C 1 x LH Bracket | G 4 x M6 - 30 Button Screws (USA use Only) |
| D 4 x M6 - 10 Button Screws | H 4 x Mounting Spacers (USA use Only) |

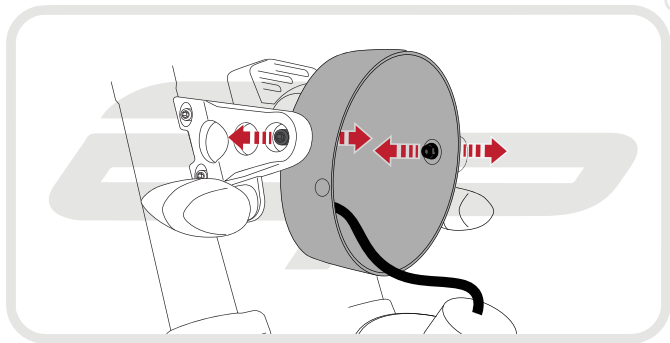


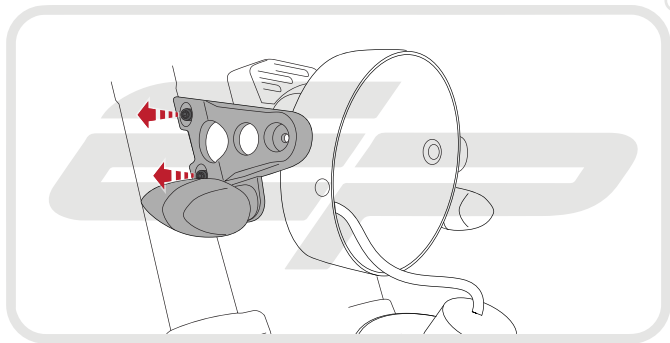
UNCLIP

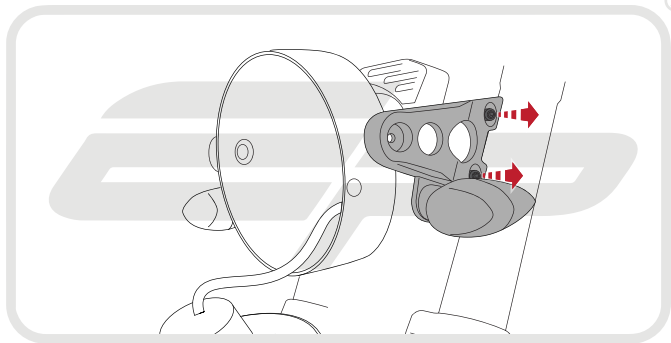


PULL



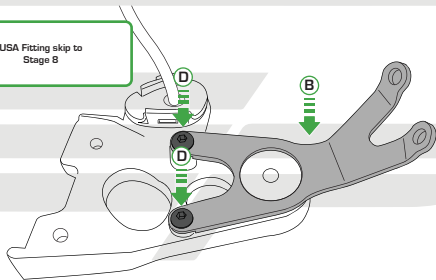


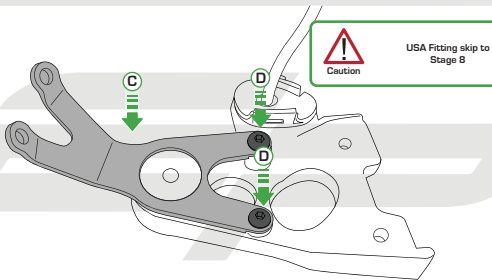






USA Fitting skip to
Stage 8

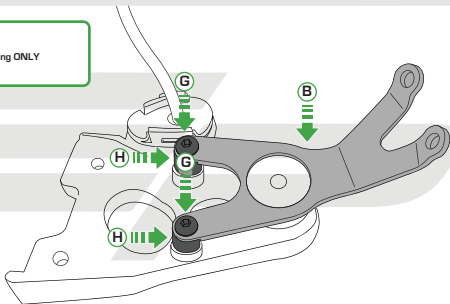


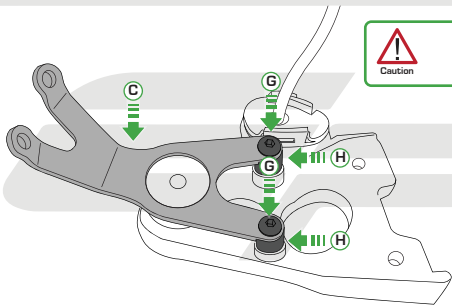




Caution

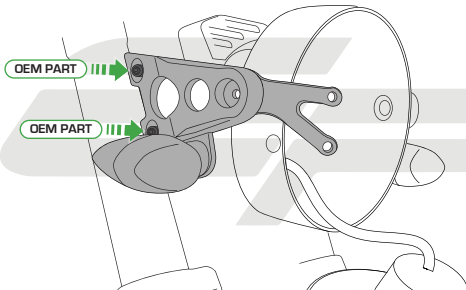
USA Fitting ONLY

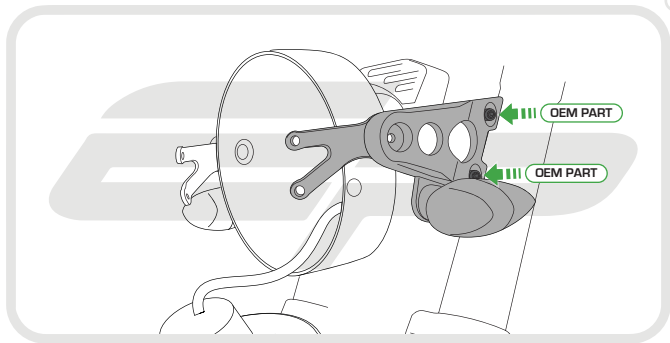


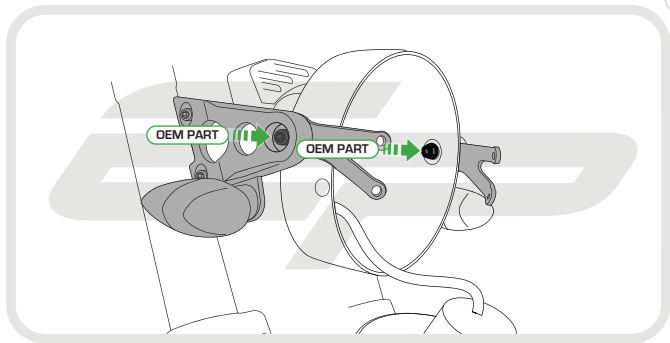


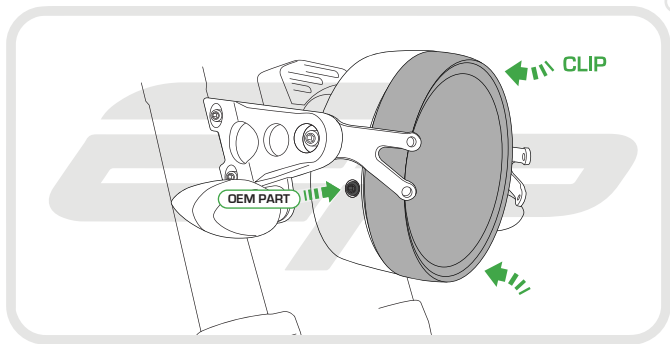
Caution

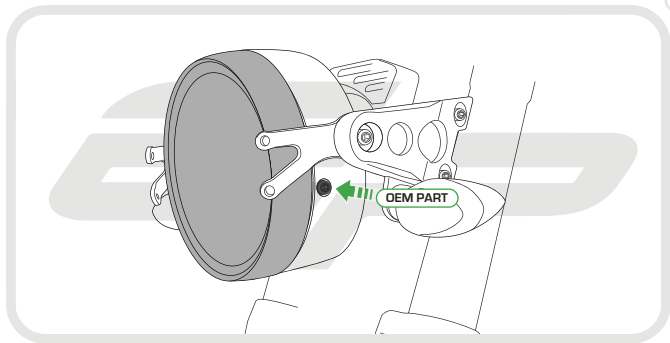
USA Fitting ONLY

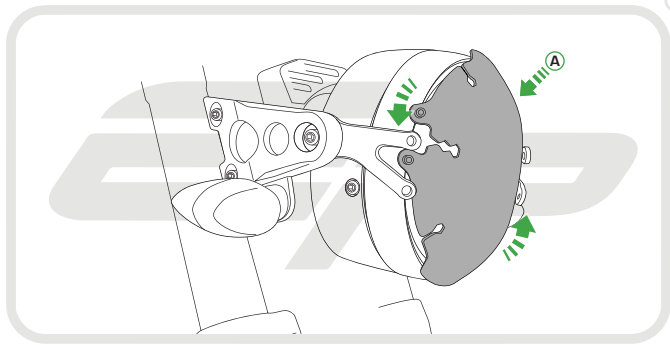


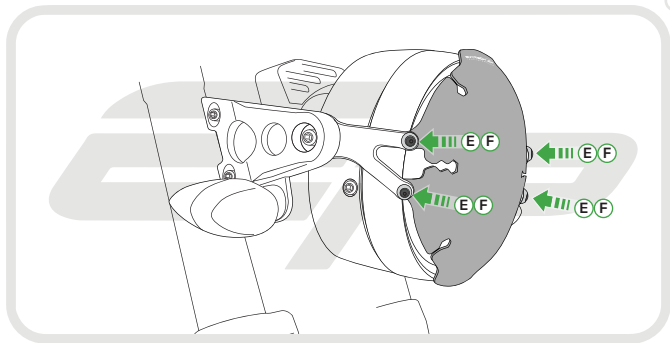












EVOTECH[®]
P E R F O R M A N C E



EVOTECH®
P E R F O R M A N C E

www.evotech-performance.com