



EVOTECH®
P E R F O R M A N C E

Installation Instructions

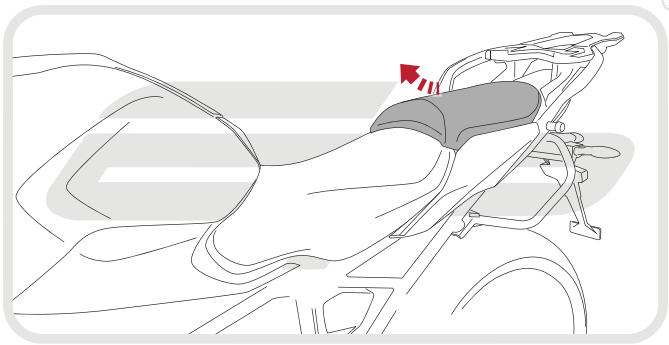
BMW R 1200 / 1250 R / RS Tail Tidy

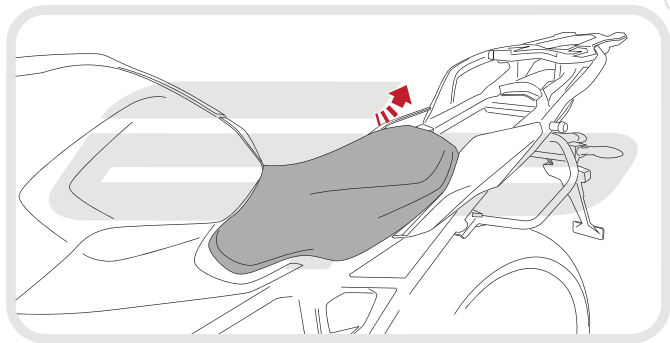


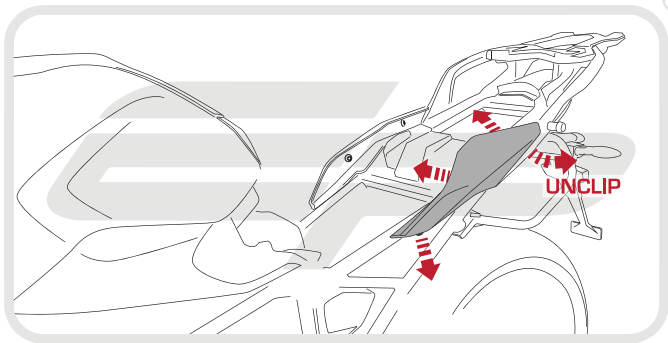
Product Reference - PRN013202

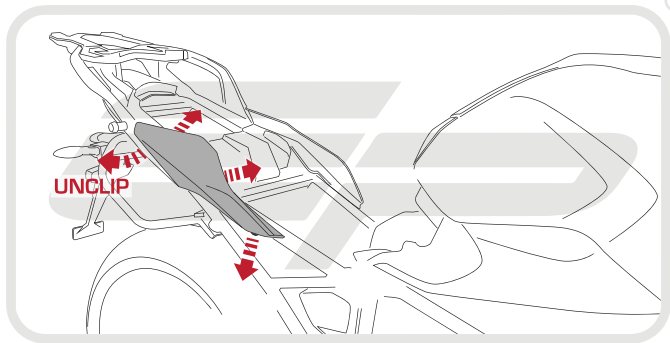
Kit Contents

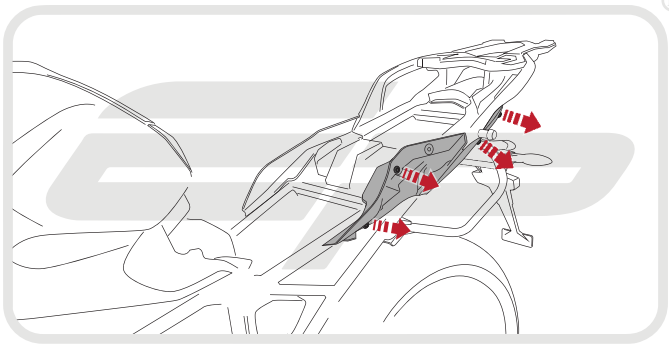
- | | |
|---|------------------------------------|
| Ⓐ 1 x Mounting Bracket | Ⓝ 2 x Plastic Screws and Nuts |
| Ⓑ 1 x Licence Plate Bracket A (Panier compatible) | Ⓚ 2 x M6 - 20 Button Head Screws |
| Ⓒ 1 x Licence Plate Bracket B (Non-Panier compatible) | Ⓛ 2 x M6 Nyloc Nuts |
| Ⓓ 1 x Light Bracket A (Panier compatible) | Ⓜ 2 x M6 Washers |
| Ⓔ 1 x Light Bracket B (Non-Panier compatible) | Ⓝ 2 x M4 - 10 Button Head Screws |
| Ⓕ 1 x Plastic Undertray | Ⓞ 2 x 1/8 - 5/8 Self Tapping Screw |
| Ⓖ 1 x Reflector Bracket | Ⓟ 3 x M5 - 12 Button Head Screws |
| Ⓗ 1 x Reflector | Ⓠ 5 x Cable Ties |
| Ⓘ 2 x M6 Top Hat Washers | |

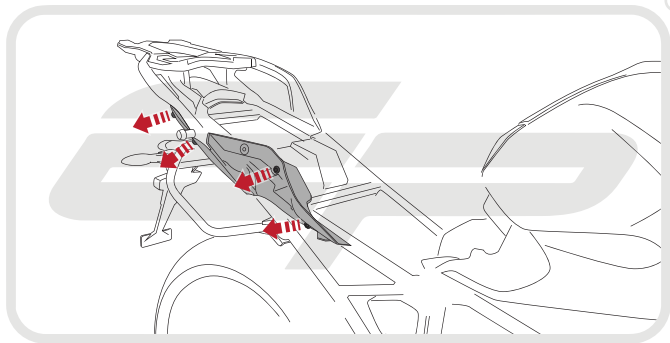


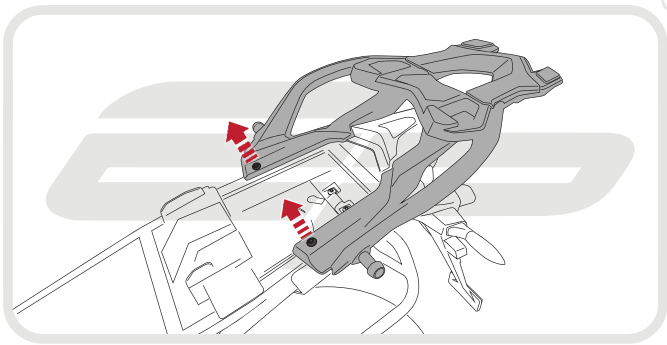


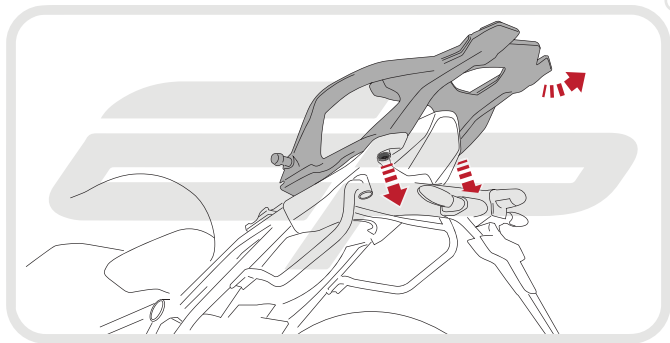








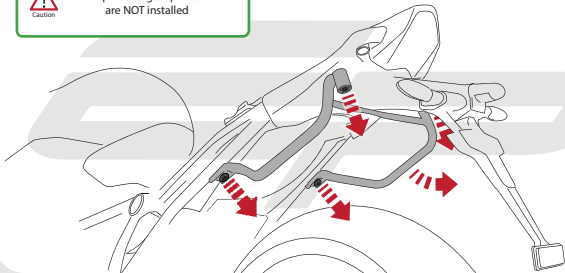


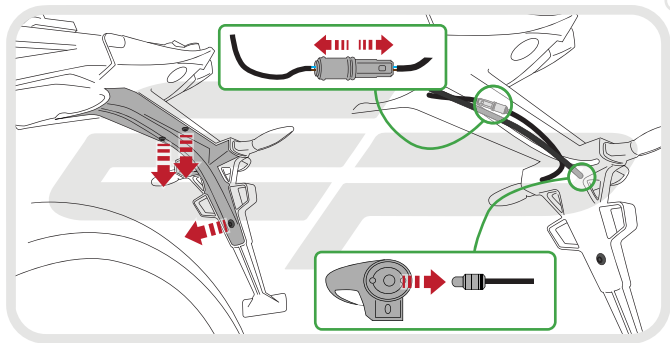


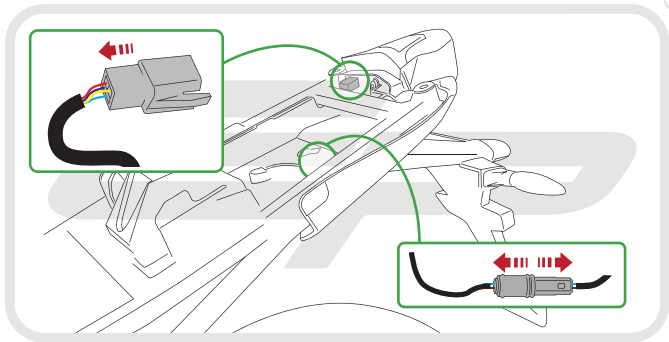


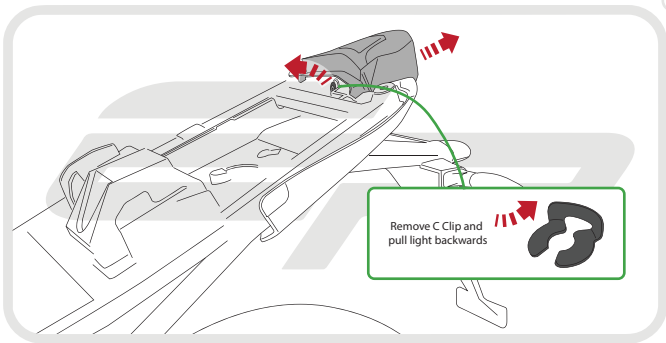
Caution

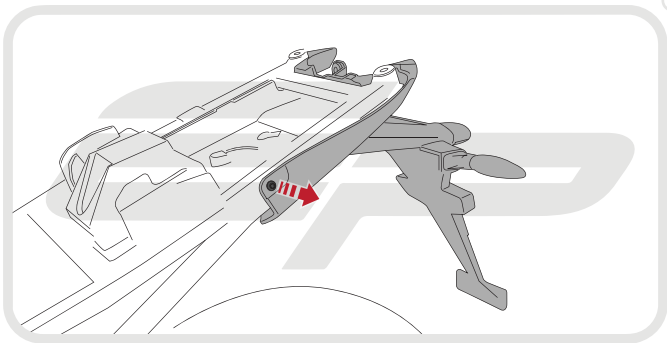
Skip this stage if paniers
are NOT installed

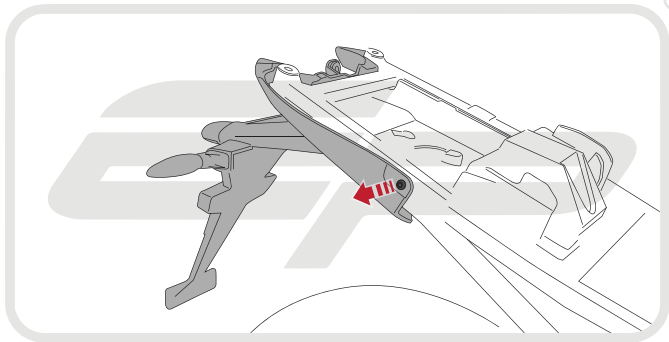


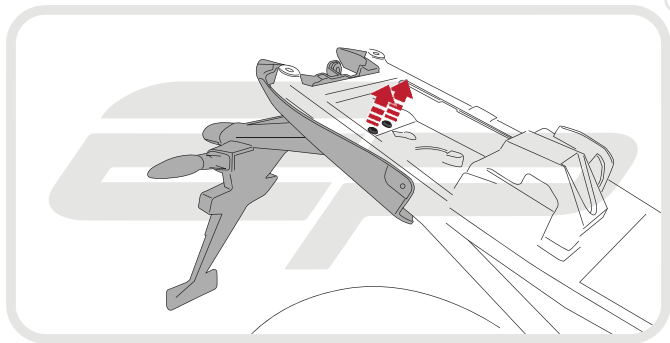






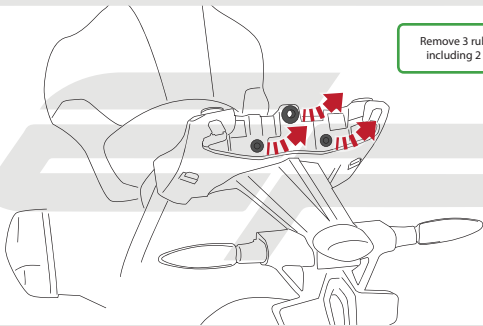


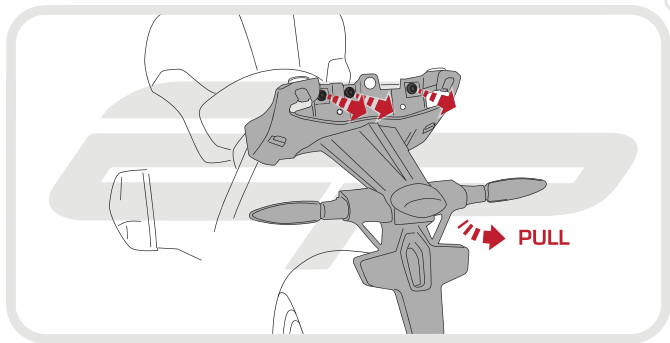


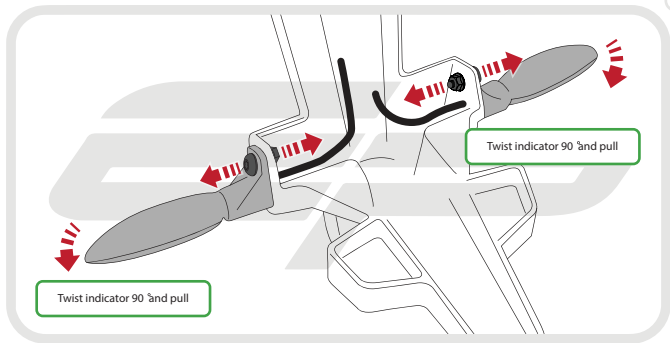


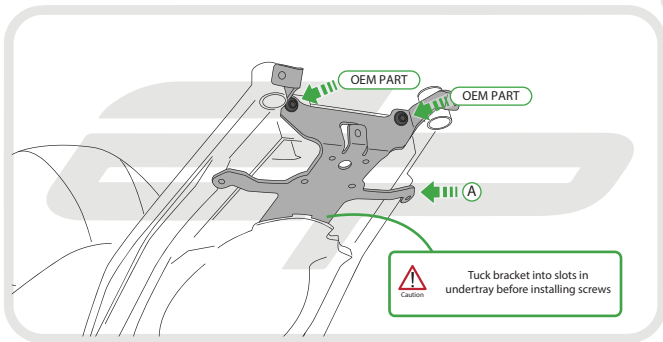


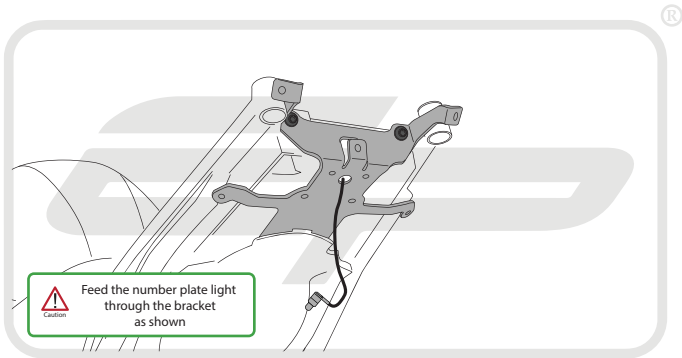
Remove 3 rubber grommets
including 2 brass washers

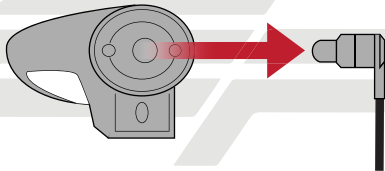


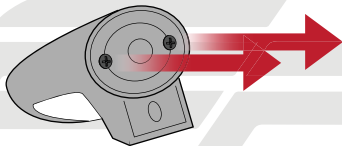








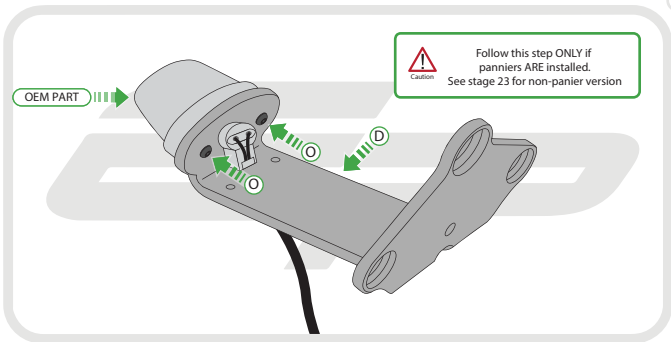




OEM PART



®





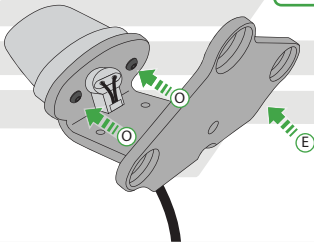
®



Caution

Follow this step ONLY if
panniers ARE NOT installed

OEM PART

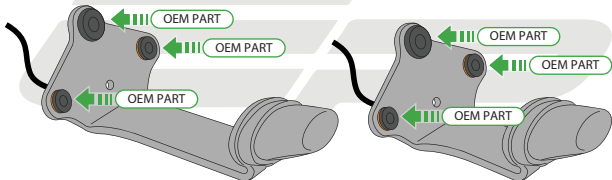


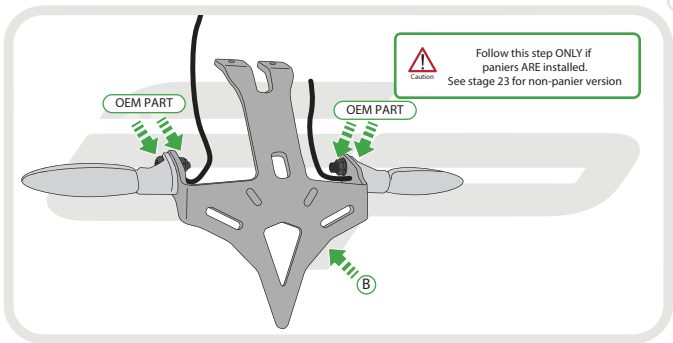


Push rubber grommets through in direction shown



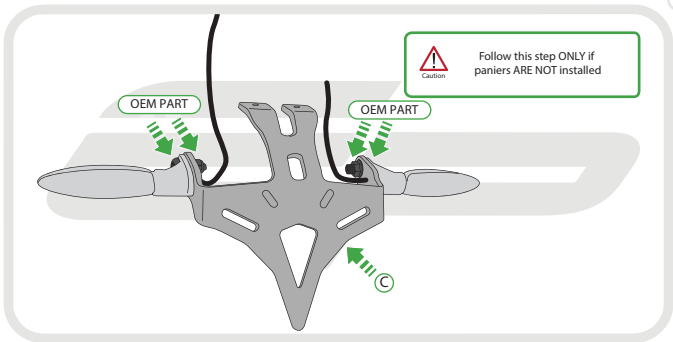
Follow this step for both panier and non-panier versions







®

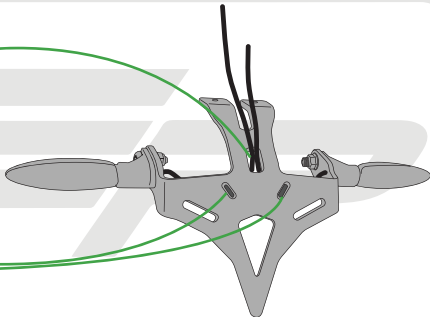




Feed wires through
slot in tail tidy

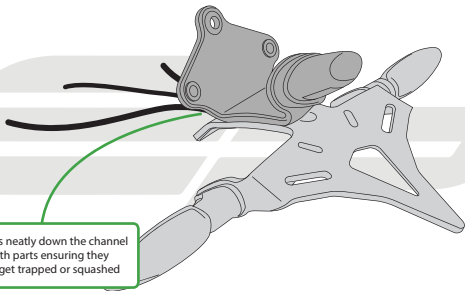


Feed cable tie through tail tidy
so the head sits inside the
slot on the outer face



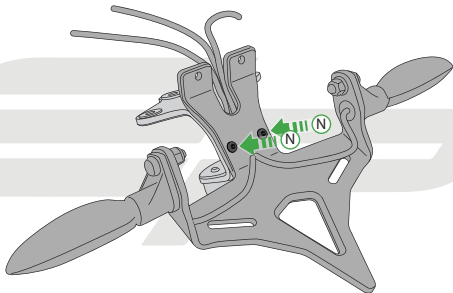


®



Caution

Run wires neatly down the channel
in both parts ensuring they
do not get trapped or squashed

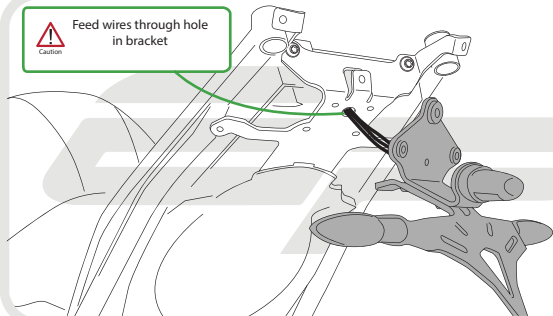


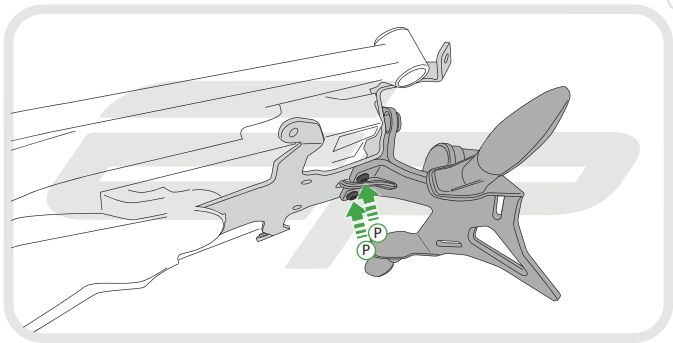
EVOTECH[®]
P E R F O R M A N C E

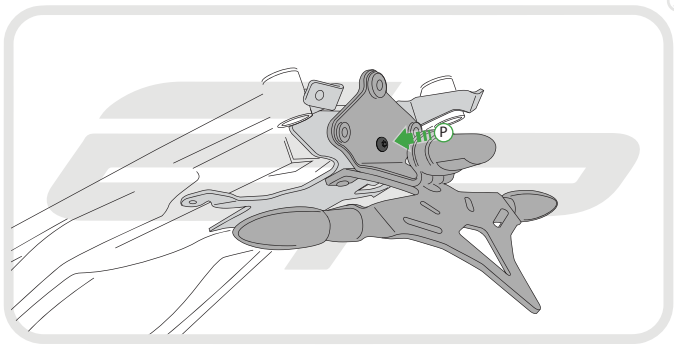


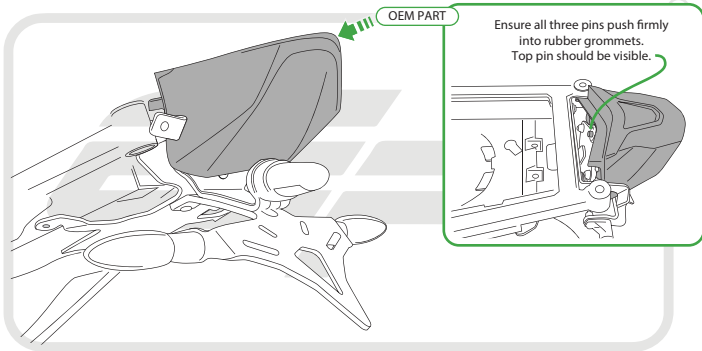
Caution

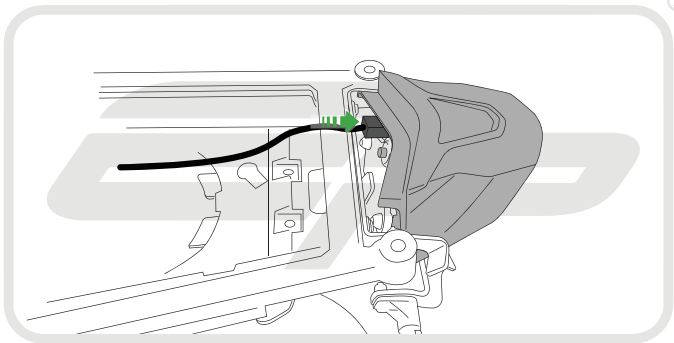
Feed wires through hole in bracket







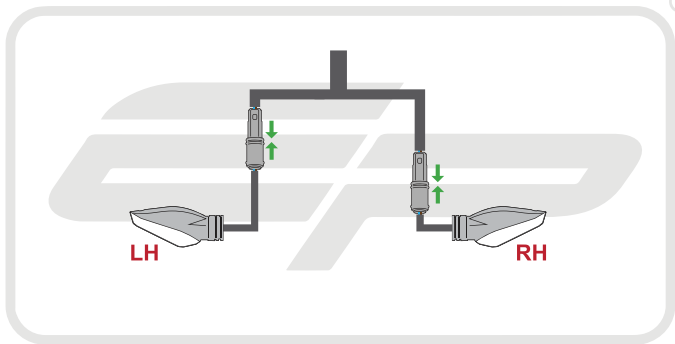






Replace OEM C-Clip and washer to secure light





EVOTECH[®]
P E R F O R M A N C E

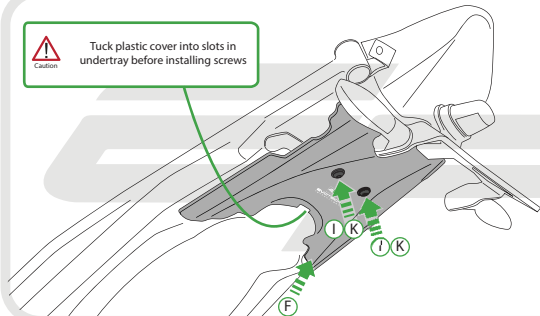


®

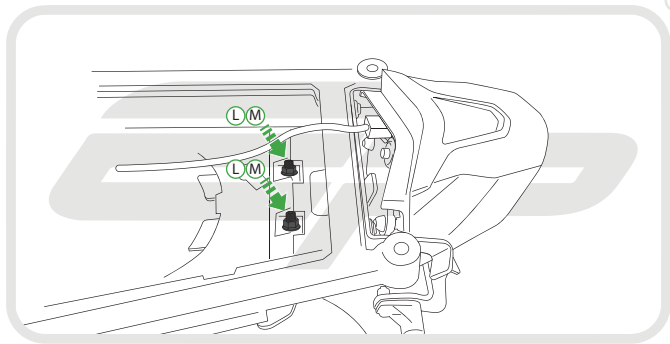


Caution

Tuck plastic cover into slots in undertray before installing screws



EVOTECH[®]
P E R F O R M A N C E



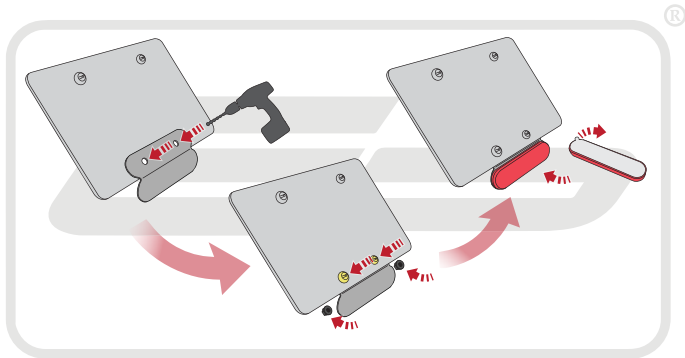
EVOTECH[®]
P E R F O R M A N C E



Reverse Stages

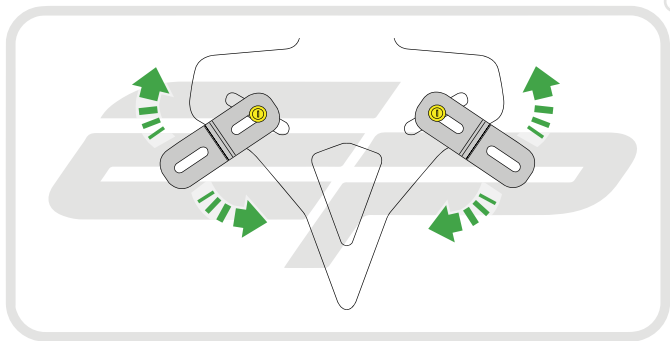
9 - 1

Reflector Bracket Installation



EVOTECH[®]
P E R F O R M A N C E

Number Plate Adaptor Installation Instructions



EVOTECH[®]
P E R F O R M A N C E



ESSENTIAL CHECKS

After installation of your tail tidy ensure that the licence plate does not contact the rear tyre when suspension is fully compressed.

Ensure all electrics including indicators, tail light, brake light and licence plate light lights are working correctly before riding the motorcycle.

It is recommended that periodic inspections are made to ensure that all fixings are fully tightend.



EVOTECH®
P E R F O R M A N C E

www.evotech-performance.com