



EVOTECH®
P E R F O R M A N C E

Installation Instructions

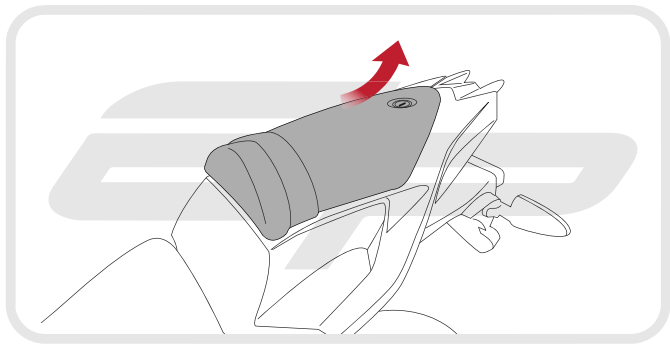


BMW S1000RR - 2010 ONWARDS TAIL TIDY

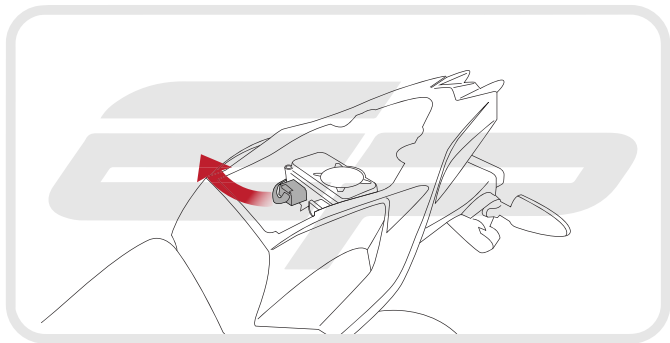
Product Reference - 8173

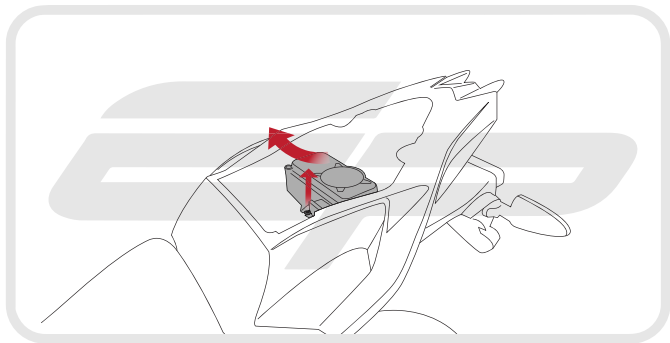
Kit Contents

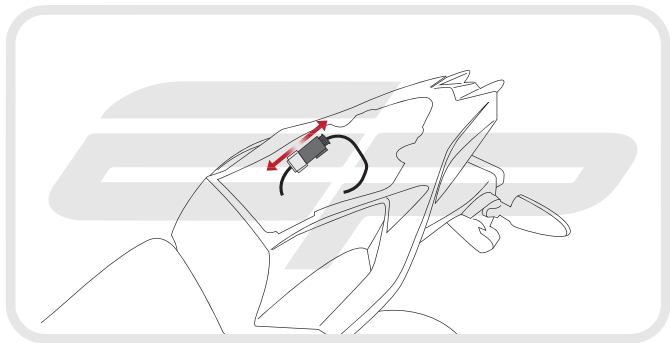
- | | |
|-----------------------------------------|---------------------------------------|
| A 1 x Main Tail Tidy | G 2 x Female Bullet Connectors |
| B 1 x Tail Tidy Bracket | H 2 x Plastic Screws |
| C 1 x Reflector Bracket | I 2 x Plastic Nuts |
| D 1 x Reflector | J 2 x Heat Shrink |
| E 2 x M5 x 15 Countersink Screws | K 6 x Cable Ties |
| F 2 x Male Bullet Connectors | |



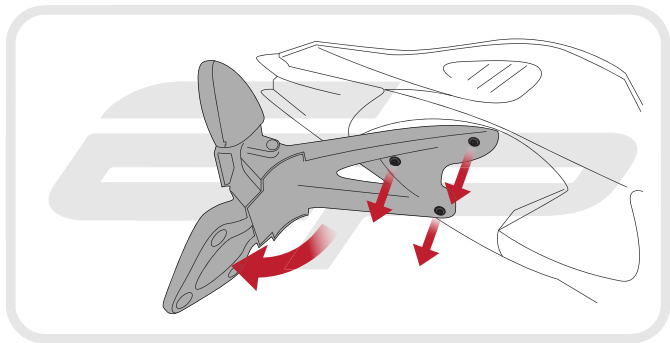
EVOTECH[®]
P E R F O R M A N C E



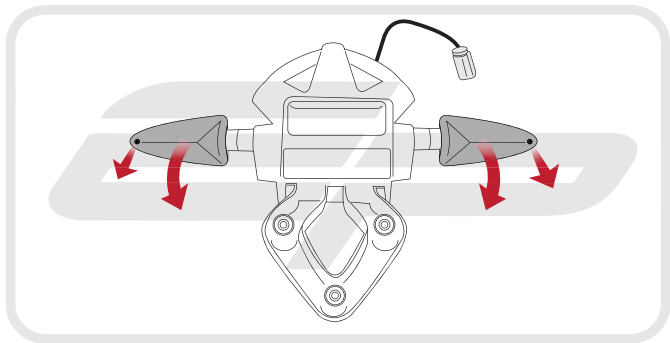


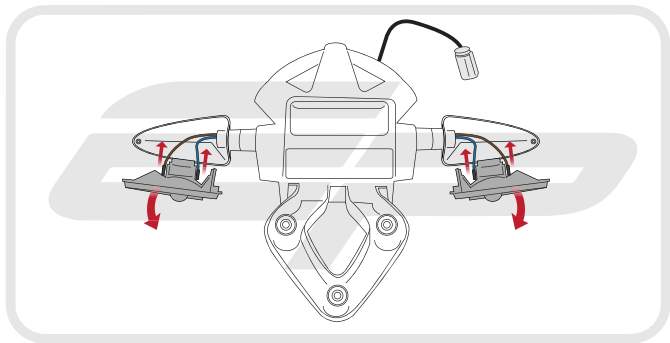


EVOTECH[®]
P E R F O R M A N C E

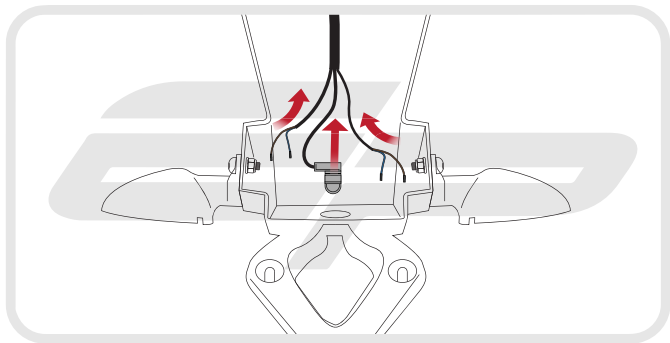


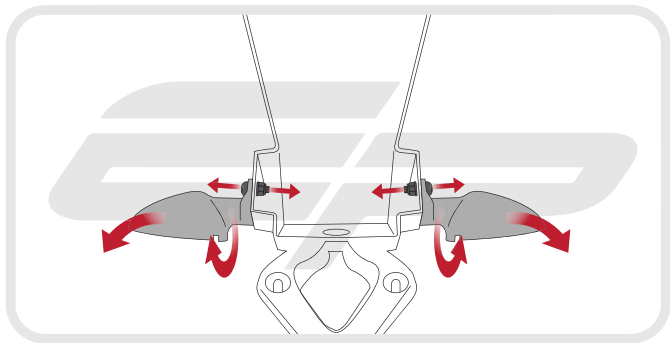
EVOTECH[®]
P E R F O R M A N C E



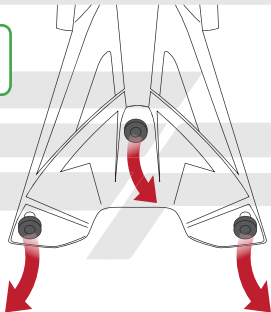


EVOTECH[®]
P E R F O R M A N C E

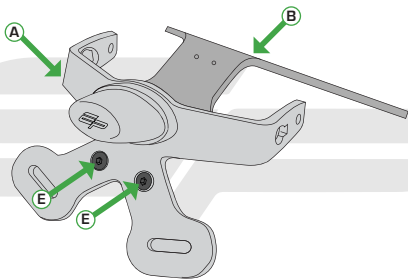


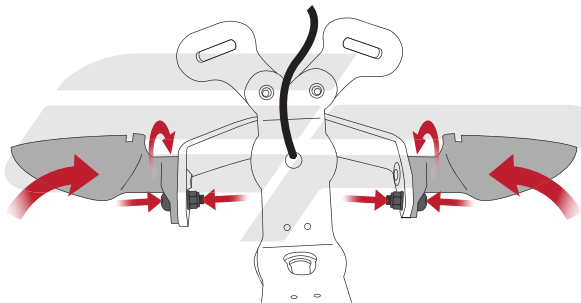


EVOTECH[®]
P E R F O R M A N C E

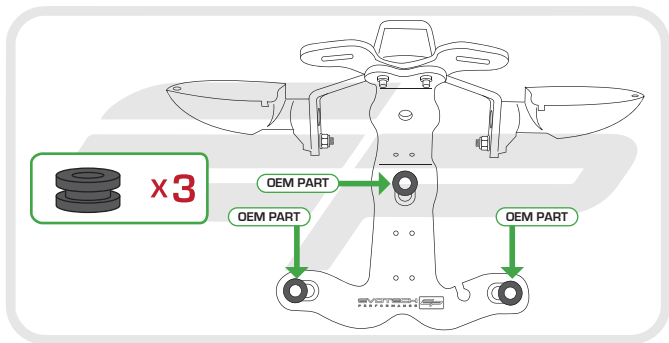
**x3**

EVOTECH[®]
P E R F O R M A N C E





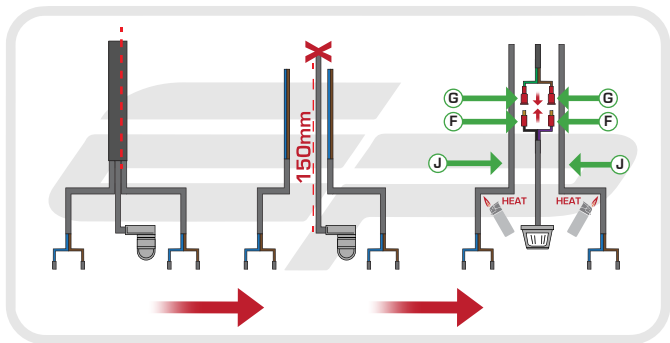
EVOTECH[®]
P E R F O R M A N C E

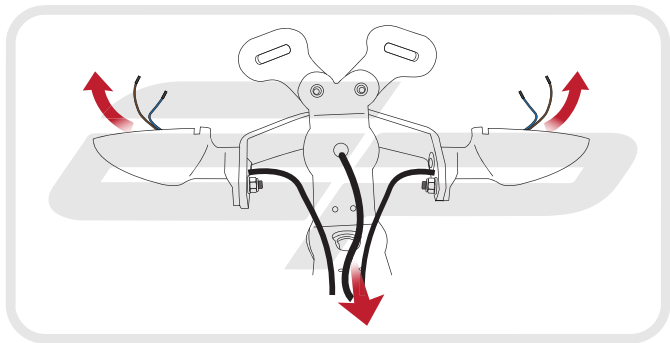
**x3**

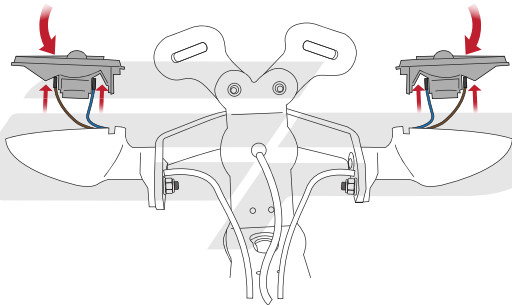
OEM PART

OEM PART

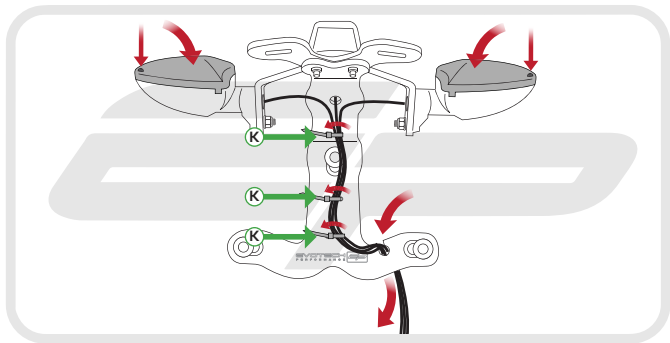
OEM PART

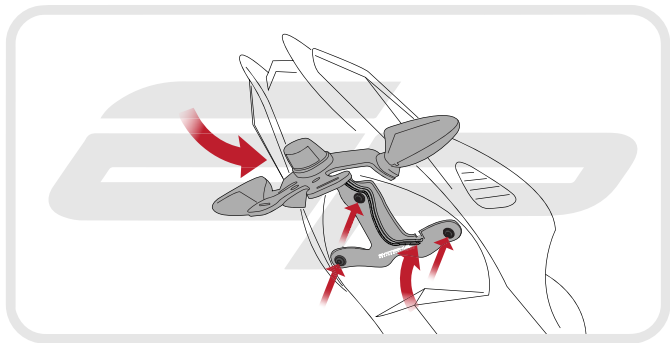






EVOTECH[®]
P E R F O R M A N C E





EVOTECH[®]
P E R F O R M A N C E



Reverse Stage's
4, 3, 2, 1



EVOTECH®
P E R F O R M A N C E

www.evotech-performance.com