



EVOTECH®
P E R F O R M A N C E

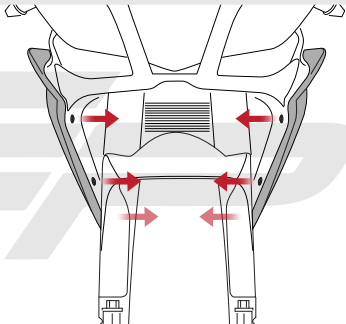
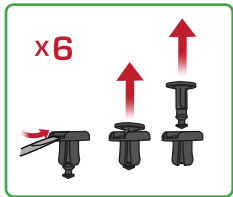
Installation Instructions

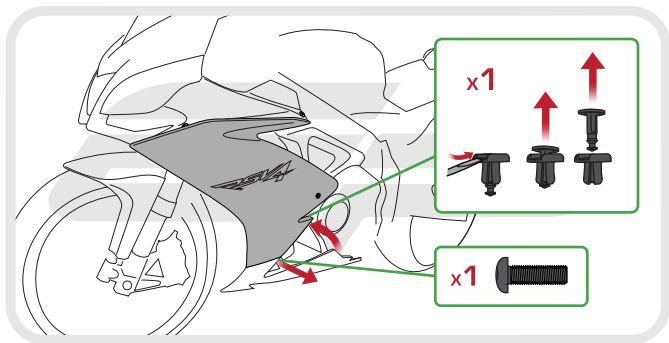
APRILIA RSV4 2009 ONWARDS RADIATOR GUARD

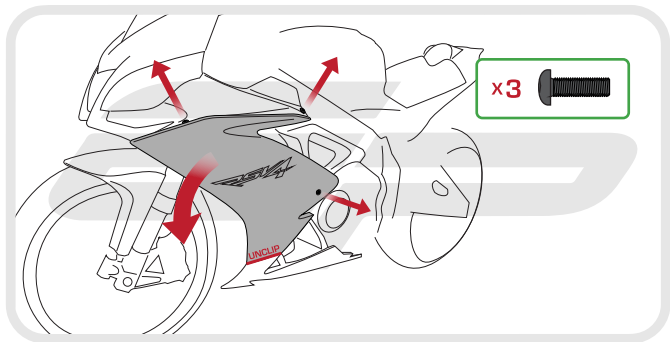
Product Reference - 8163

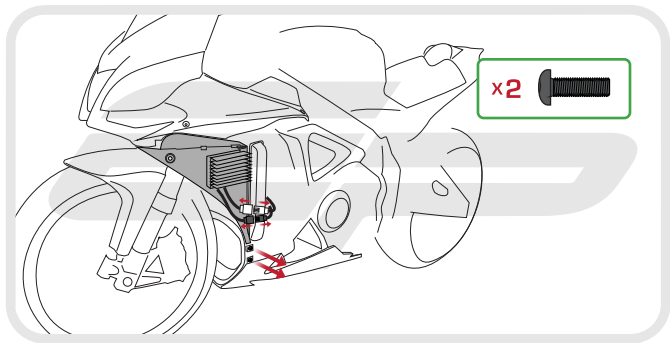
Kit Contents

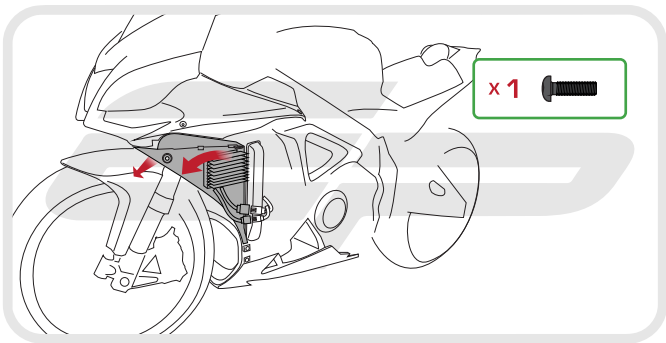
- (A)** 1 x Radiator Guard
- (B)** 1 x Neoprene Foam
- (C)** 2 x Mounting Brackets
- (D)** 2 x M6 - 16 Socket Button Head Screws
- (E)** 2 x M6 Washers
- (F)** 4 x M4 - 10 Socket Button Head Screws

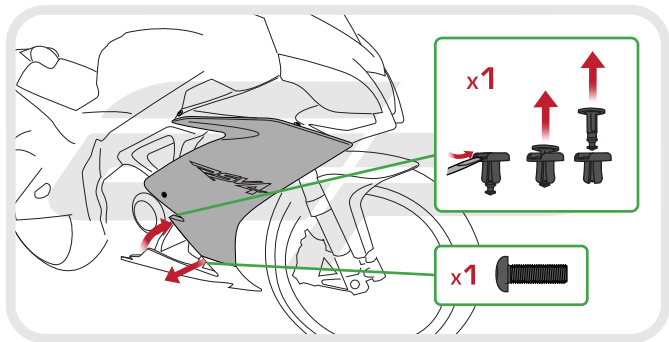


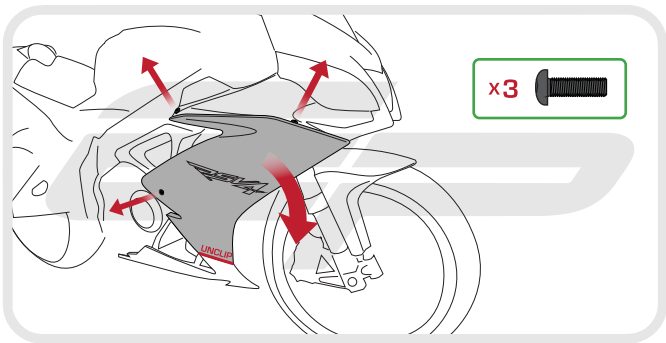


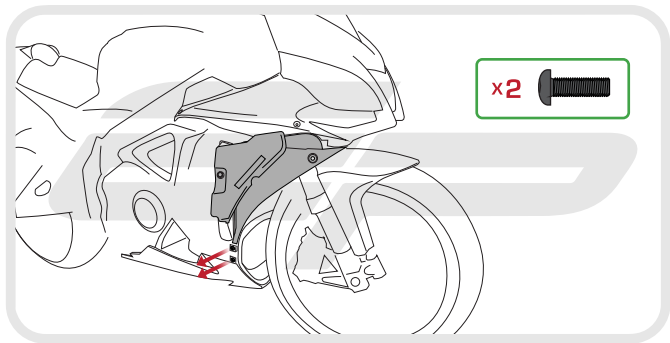


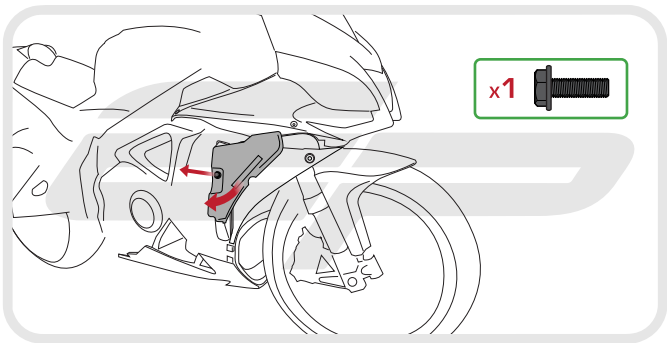




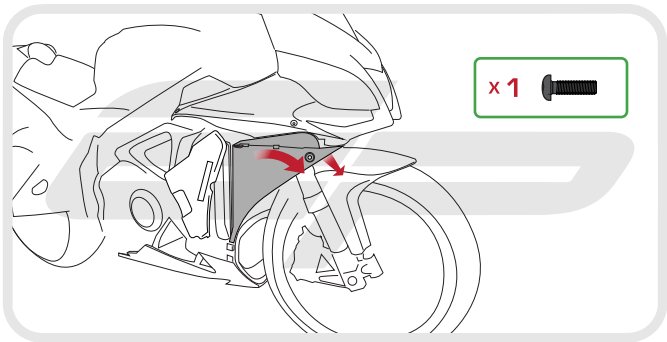


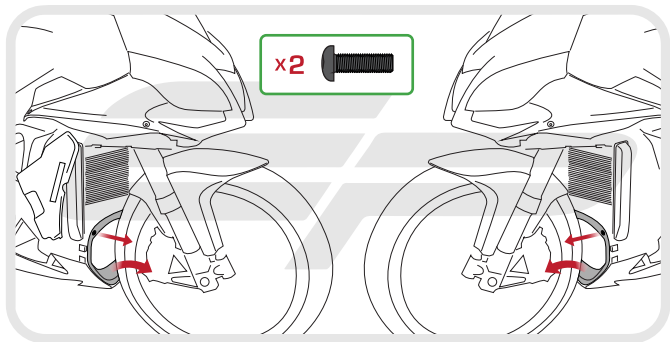






EVOTECH[®]
P E R F O R M A N C E





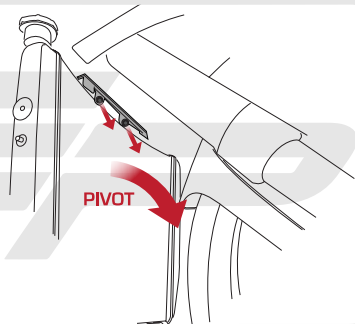


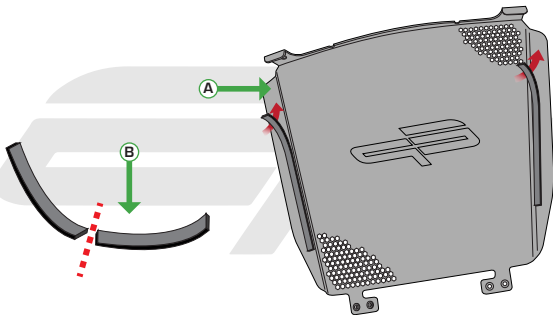
Caution

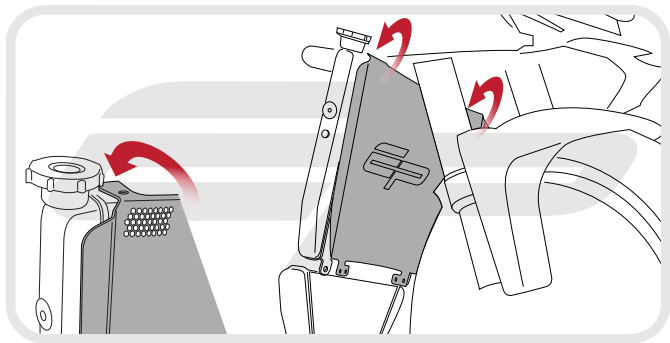
RSV4 APRC VERSION ONLY

FOR ALL OTHER RSV4 MODELS
CONTINUE TO NEXT STAGE

x2

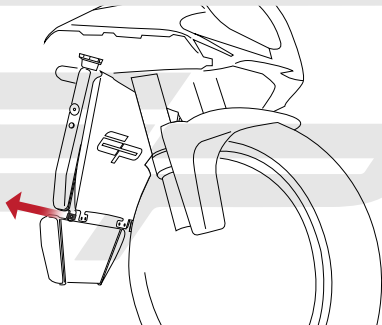


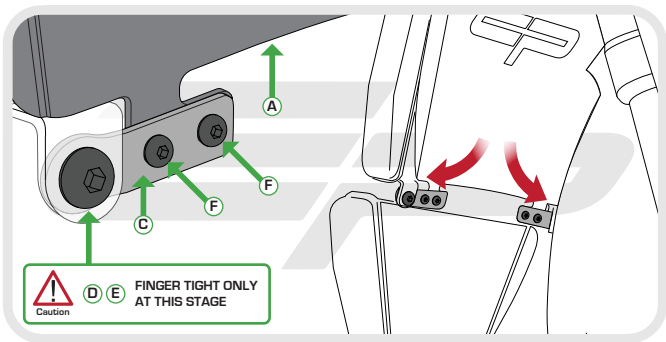


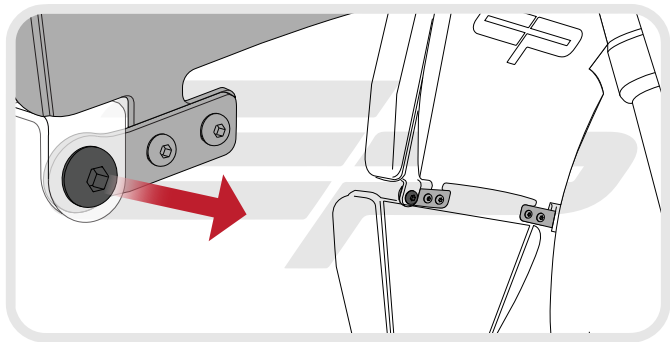




x2







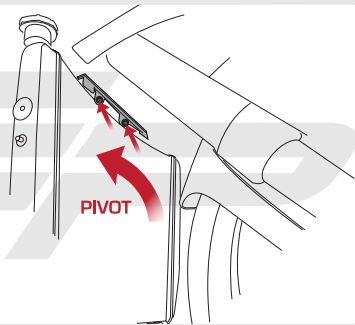


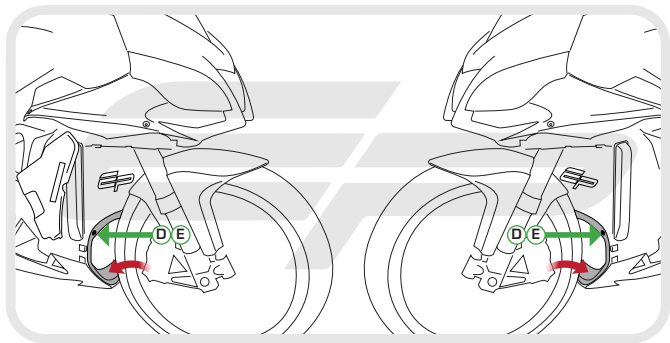
Caution

RSV4 APRC VERSION ONLY

FOR ALL OTHER RSV4 MODELS
CONTINUE TO NEXT STAGE

x2







Reverse Stages

10 - 1



Maintenance

It is recommended that periodic inspections are made to ensure that dirt and debris have not become trapped between the guard and the radiator/oil cooler. Such dirt and debris would reduce the cooling efficiency of the radiator/oil cooler



EVOTECH®
P E R F O R M A N C E

www.evotech-performance.com