

DENALI™

LAH.11.10600

HEADLIGHT MODULE ADAPTER

TRIUMPH

SELECT MODELS

Thank you for choosing DENALI

We know you would rather be riding your bike than wrenching on it, so we go the extra mile to make sure our instructions are clear and as easy to understand as possible. If you have any questions, comments, or suggestions don't hesitate to give our gear experts a call at 401.360.2550 or visit DenaliElectronics.com

Please Read Before Installing

DENALI products should always be installed by a qualified motorcycle technician. If you are unsure of your ability to properly install a product, please have the product installed by your local motorcycle dealer. DENALI takes no responsibility for damages caused by improper installation. **Caution:** When installing electronics is it extremely important to pay close attention to how wires are routed, especially when mounting products to the front fender, front forks, or fairing of your motorcycle. Always be sure to turn the handlebars fully left, fully right, and fully compress the suspension to ensure the wires will not bind and have enough slack for your motorcycle to operate properly.

Installation Tips

We strongly recommend using medium strength liquid thread locker on all screws, nuts, and bolts. It is also important to ensure that all hardware is tightened to the proper torque specifications as listed in your owner's manual. For included accessory hardware please refer to the default torque specifications provided below. Inspect all hardware after the first 30 miles to ensure proper torque specifications are maintained.

Bolt Size	in-lbs	ft-lbs	Nm
M3	10.0 in-lbs	-	1.0 Nm
M4	23.0 in-lbs	-	2.5 Nm
M5	44.5 in-lbs	3.5 ft-lbs	5.0 Nm
M6	78.0 in-lbs	6.5 ft-lbs	9.0 Nm
M8	-	13.5 ft-lbs	18.0 Nm
M10	-	30.0 ft-lbs	41.0 Nm
M12	-	52.0 ft-lbs	71.0 Nm

Hardware Sizing Guide

Not sure what size bolt you have? Use this ruler to measure screws, bolts, spacers, etc. Remember, the length of a screw or bolt is measured from the start of the "mounting surface" to the end of the screw, so only include the screw head when measuring countersunk screws.

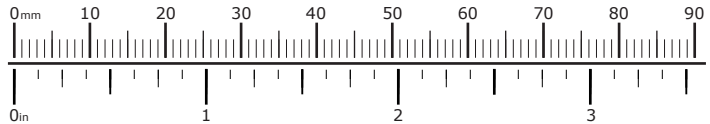


FIGURE 1

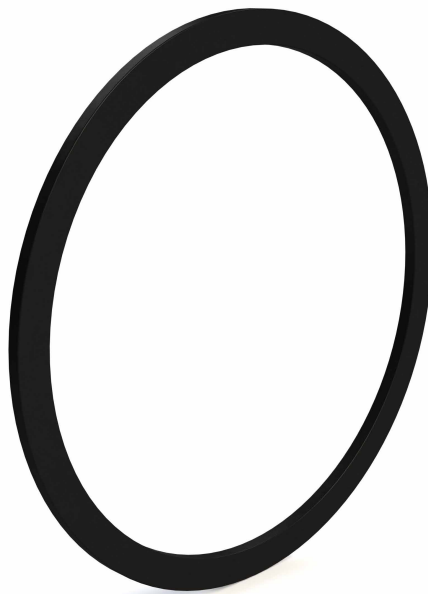


Illustration not to scale

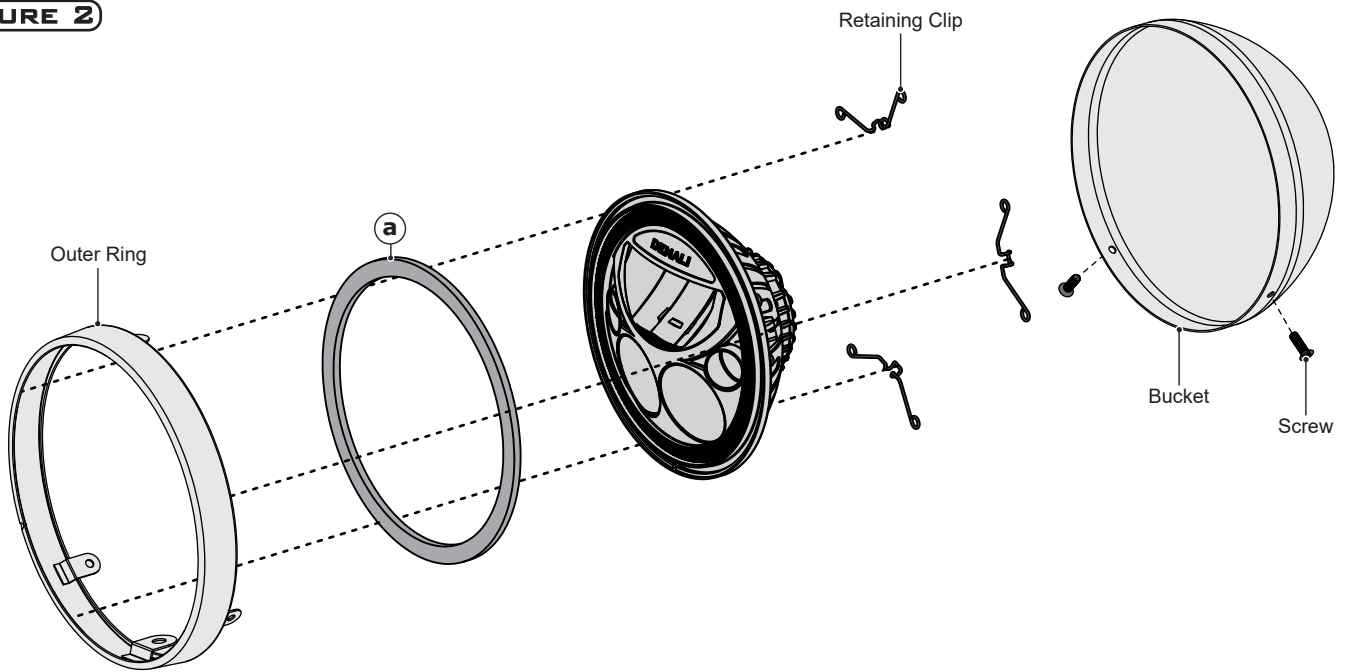
Kit Contents

- (a) Adapter Ring.....Qty 1

Tools Required

- 5mm Allen Key
- 4mm Allen Key
- 1/4" Allen Key
- 10mm Wrench
- 1/2" Wrench

FIGURE 2



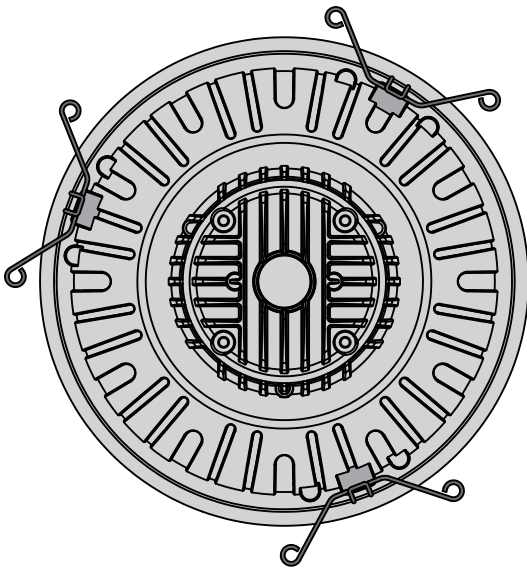
Removing The Sealed Beam

Step One: Start by removing the two screws visible on the bottom side of the bucket, once these have been removed the sealed beamed and outer ring will separate from the headlight bucket. The sealed beam will need to be unplugged at this time.

Step Two: Remove the three retaining clips that hold the outer ring to the sealed beam. (Set the clips aside as they will be used when re-installing the DENALI LED Module) Remove the outer ring from the sealed beam.

Step Three: Place the adapter ring (a) inside the outer ring, followed by the DENALI LED Module in place of the sealed beam. The adapter ring should be clamped in-between the outer ring and LED Module.

FIGURE 3



Installing the DENALI LED Module

Step Four: Re-install the retaining clips to secure the assembly together. Be sure the light is aligned properly before installing the retaining clips.

Note: In order to provide proper clamping force the retaining clips must be installed on top of the three raised flats on the back side of the DENALI LED Module.

Step Five: Plug in the DENALI LED Module and place entire the assembly back into the

the headlight bucket. Re-install the two screws in the bottom side of the headlight bucket to complete the install.