



Driving Light Mount

BMW F 850 GS 2019-
 BMW F 850 GS Adventure 2019-
 BMW F 750 GS 2019-
 LAH.07.11400



Thank you for choosing DENALI

We know you would rather be riding your bike than wrenching on it, so we go the extra mile to make sure our instructions are clear and as easy to understand as possible. If you have any questions, comments, or suggestions don't hesitate to give our gear experts a call at 401.360.2550 or visit WWW.DENALIELECTRONICS.COM

Please Read Before Installing

DENALI products should always be installed by a qualified motorcycle technician. If you are unsure of your ability to properly install a product, please have the product installed by your local motorcycle dealer. DENALI takes no responsibility for damages caused by improper installation. **Caution:** When installing electronics it is extremely important to pay close attention to how wires are routed, especially when mounting products to the front fender, front forks, or fairing of your motorcycle. Always be sure to turn the handlebars fully left, fully right, and fully compress the suspension to ensure the wires will not bind and have enough slack for your motorcycle to operate properly.

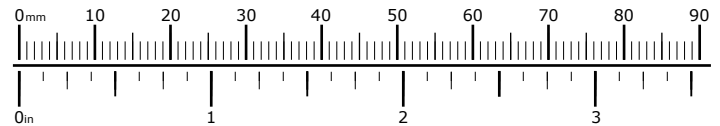
Installation Tips

We strongly recommend using medium strength liquid thread locker on all screws, nuts, and bolts. It is also important to ensure that all hardware is tightened to the proper torque specifications as listed in your owner's manual. For included accessory hardware please refer to the default torque specifications provided below. Inspect all hardware after the first 30 miles to ensure proper torque specifications are maintained.

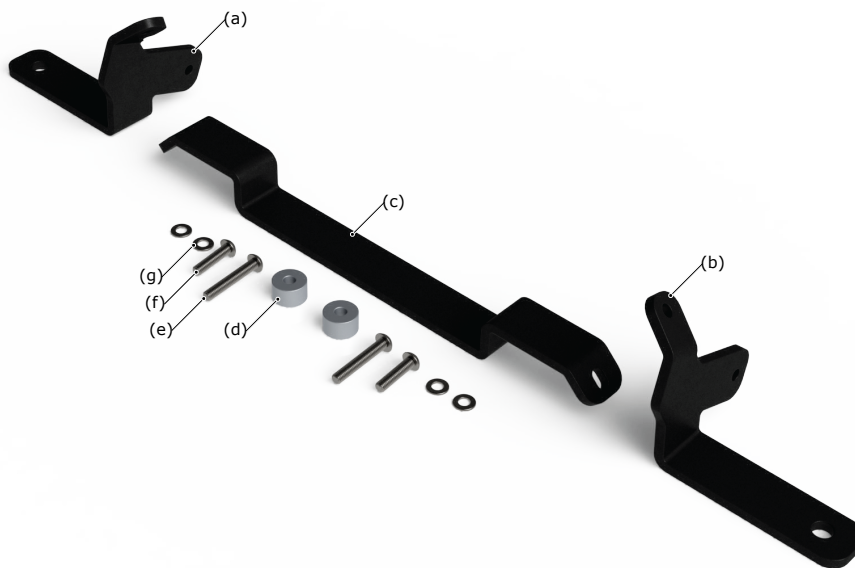
Bolt Size	in-lbs	ft-lbs	Nm
M3	10.0 in-lbs	-	1.0 Nm
M4	23.0 in-lbs	-	2.5 Nm
M5	44.5 in-lbs	3.5 ft-lbs	5.0 Nm
M6	78.0 in-lbs	6.5 ft-lbs	9.0 Nm
M8	-	13.5 ft-lbs	18.0 Nm
M10	-	30.0 ft-lbs	41.0 Nm
M12	-	52.0 ft-lbs	71.0 Nm

Hardware Sizing Guide

Not sure what size bolt you have? Use this ruler to measure screws, bolts, spacers, etc. Remember, the length of a screw or bolt is measured from the start of the "mounting surface" to the end of the screw, so only include the screw head when measuring countersunk screws.



What's In The Box?

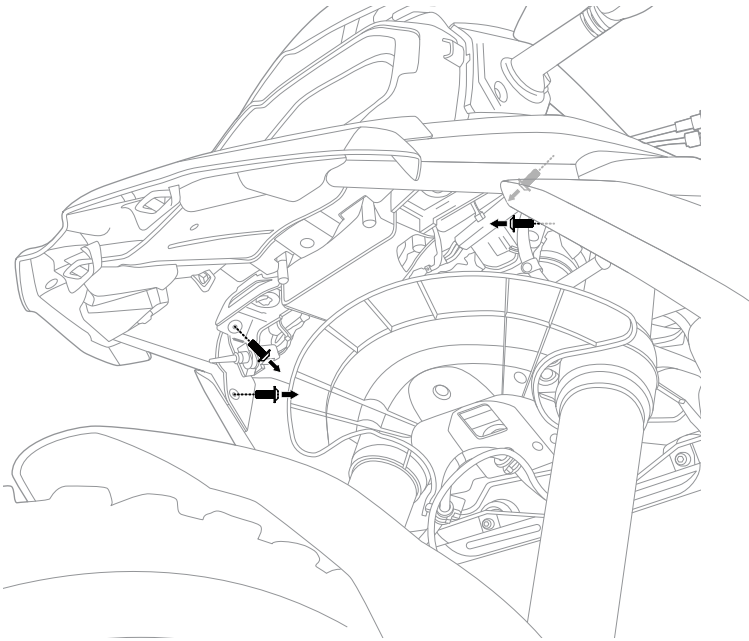


Kit Contents

- (a) Left Side Mounting Bracket.....Qty 1
- (b) Cross Brace.....Qty 1
- (c) Right Side Mounting Bracket.....Qty 1
- (d) Spacer, ID: 5.6mm OD: 15.9mm L: 9.5mm.....Qty 2
- (e) M5x30 ISO 7380.....Qty 2
- (f) M5x20 ISO 7380.....Qty 2
- (g) M5 Washer DIN 125.....Qty 4

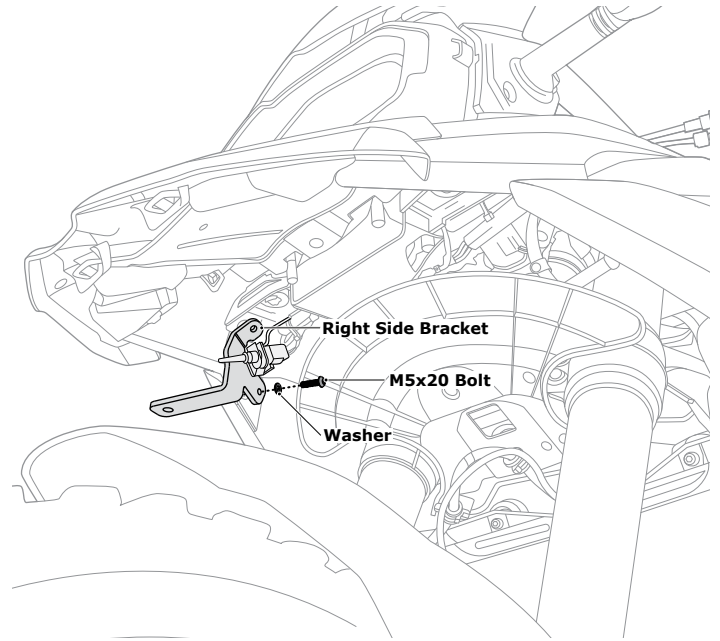
Tools Required: T25 Torx, 3mm Allen Key

1. Installing The Light Mount



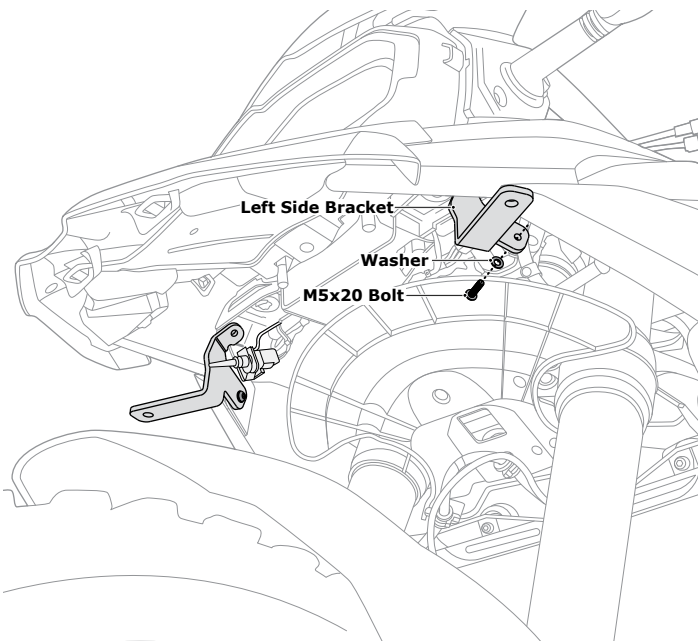
1.1 - Removing The OEM Bolts

Step One: Use a T25 Torx tool to remove the four OEM bolts illustrated above.



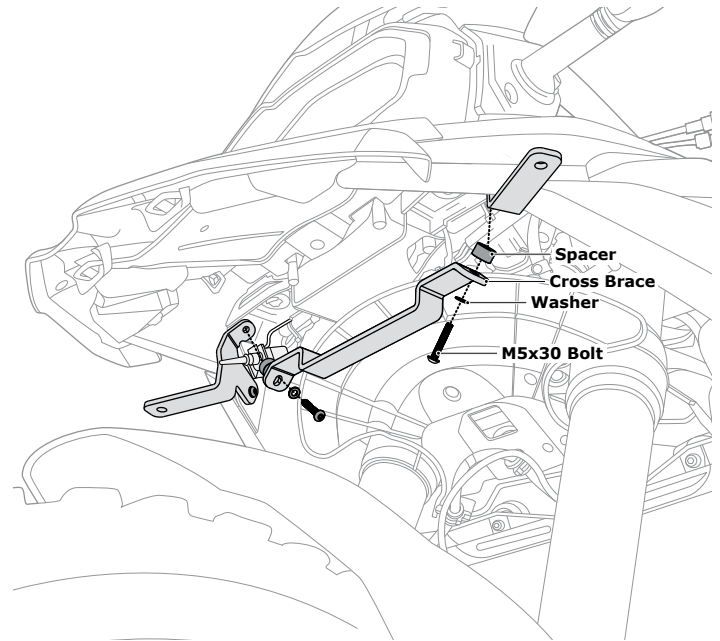
1.2 - Installing The Right Side Bracket

Step One: Mount the Right Side Bracket (a) to the motorcycle using a M5x20 Bolt (f) and M5 Washer (g) in the rear mounting point of the bracket. DO NOT fully tighten at this time.



1.3 - Installing The Left Side Bracket

Step One: Mount the Left Side Bracket (b) to the motorcycle using a M5x20 Bolt (f) and M5 Washer (g) in the rear mounting point of the bracket. DO NOT fully tighten at this time.



2.2 - Installing The Cross Brace

Step One: Swing the Right (a) and Left (b) Brackets into place then use the M5x30 Bolts (e) and Spacers (d) to attach the Cross Brace (c) between the Right (b) and Left (a) Brackets.

Step Two: Fully tighten all four M5 bolts to 3.5 ft-lbs.