



HMT.07.11000
 BMW R1250GS
 Split Horn Mounting Bracket

Thank you for choosing DENALI

We know you would rather be riding your bike than wrenching on it, so we go the extra mile to make sure our instructions are clear and as easy to understand as possible. If you have any questions, comments, or suggestions don't hesitate to give our gear experts a call at 401.360.2550 or visit WWW.DENALIELECTRONICS.COM

Please Read Before Installing

DENALI products should always be installed by a qualified motorcycle technician. If you are unsure of your ability to properly install a product, please have the product installed by your local motorcycle dealer. DENALI takes no responsibility for damages caused by improper installation. **Caution:** When installing electronics it is extremely important to pay close attention to how wires are routed, especially when mounting products to the front fender, front forks, or fairing of your motorcycle. Always be sure to turn the handlebars fully left, fully right, and fully compress the suspension to ensure the wires will not bind and have enough slack for your motorcycle to operate properly.

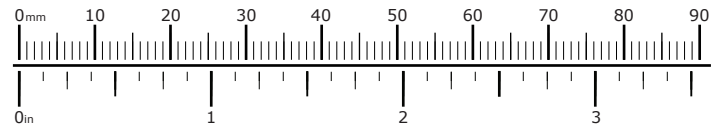
Installation Tips

We strongly recommend using medium strength liquid thread locker on all screws, nuts, and bolts. It is also important to ensure that all hardware is tightened to the proper torque specifications as listed in your owner's manual. For included accessory hardware please refer to the default torque specifications provided below. Inspect all hardware after the first 30 miles to ensure proper torque specifications are maintained.

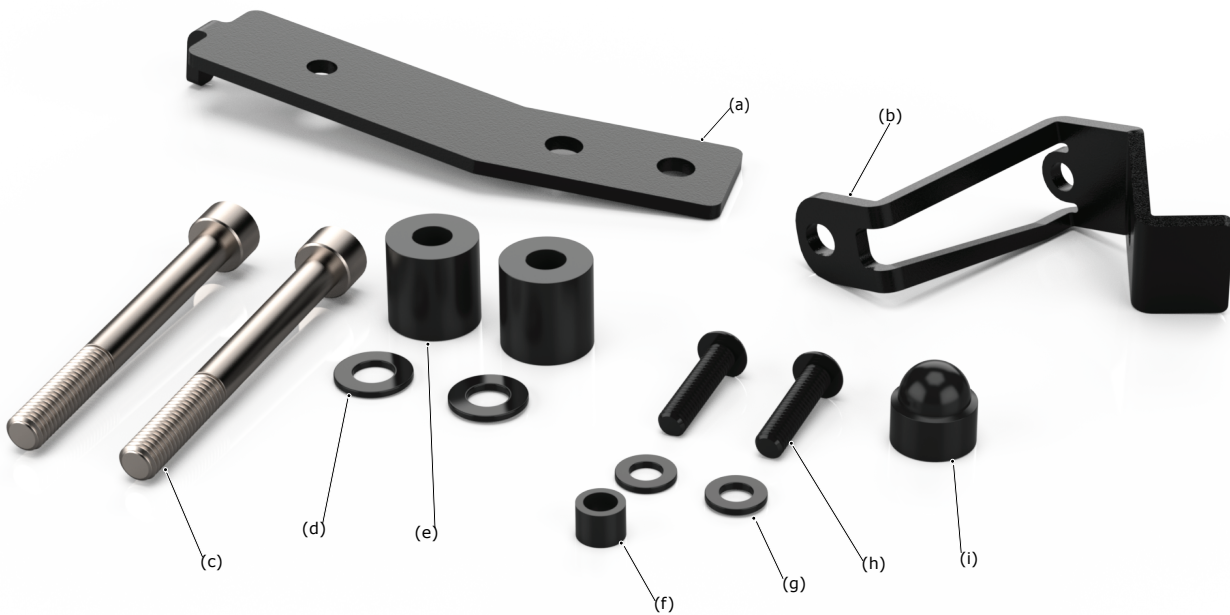
Bolt Size	in-lbs	ft-lbs	Nm
M3	10.0 in-lbs	-	1.0 Nm
M4	23.0 in-lbs	-	2.5 Nm
M5	44.5 in-lbs	3.5 ft-lbs	5.0 Nm
M6	78.0 in-lbs	6.5 ft-lbs	9.0 Nm
M8	-	13.5 ft-lbs	18.0 Nm
M10	-	30.0 ft-lbs	41.0 Nm
M12	-	52.0 ft-lbs	71.0 Nm

Hardware Sizing Guide

Not sure what size bolt you have? Use this ruler to measure screws, bolts, spacers, etc. Remember, the length of a screw or bolt is measured from the start of the "mounting surface" to the end of the screw, so only include the screw head when measuring countersunk screws.



What's In The Box?



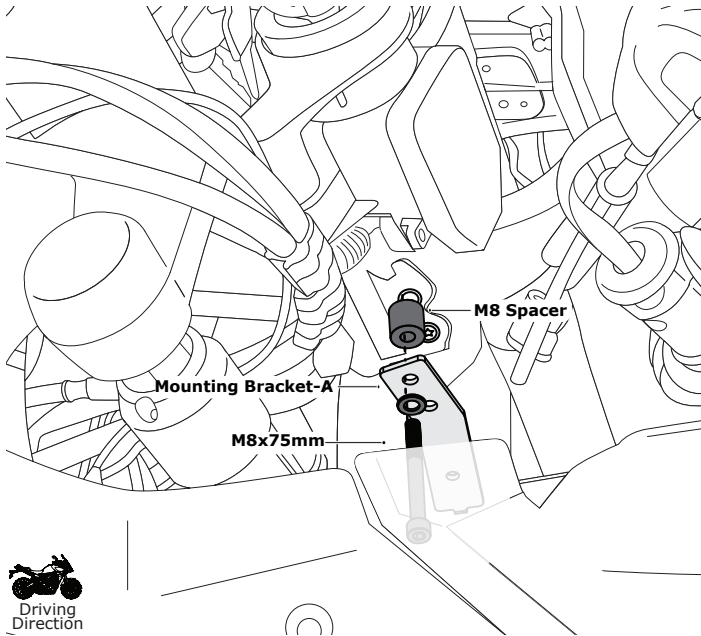
Kit Contents

- (a) Acoustic Horn Bracket.....(HMT.07.014).....Qty 1
- (b) Compressor Bracket.....(HMT.07.013).....Qty 1
- (c) M8x75mm - SocketHead Screw.....Qty 2
- (d) M8 Washer.....Qty 2
- (e) M8 Spacer...OD 19.05mm, ID 8.1mm, L 19.05mm.....Qty 2
- (f) M6 Spacer...OD 9.53mm, ID 6.53mm, L 7.938mm.....Qty 1

- (g) M6 Washer.....Qty 2
- (h) M6x25mm - Lens Head Screw.....Qty 2
- (i) M8 Nut Cap.....Qty 1

Tools Required: 13mm Wrench, 10mm Wrench, 6mm Allen Key, 4mm Allen Key, T30 Torx Bit for factory screw removal.

1. Installing The Split Horn

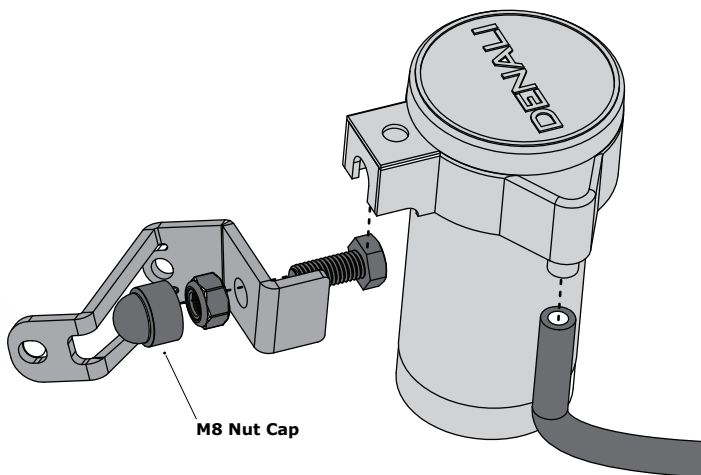


1.1 - Installing Bracket-A

Step One: Start by removing the upper M8 mounting bolt from the right side of the upper fairing stay. Do not remove the lower bolt yet.

Step Two: Using the M8x75 Socket head, M8 Washer, and M8 Spacer secure the top hole of horn bracket-A to the upper mounting hole on the fairing stay and hand tighten with a 6mm allen.

Step Three: Rotate the bracket counterclockwise until there is clearance to remove the lower factory mounting bolt. Next reposition the bracket and secure it to the lower mounting location with the remaining M8x75mm bolt, M8 Washer, and M8 Spacer. Properly tighten both bolts.

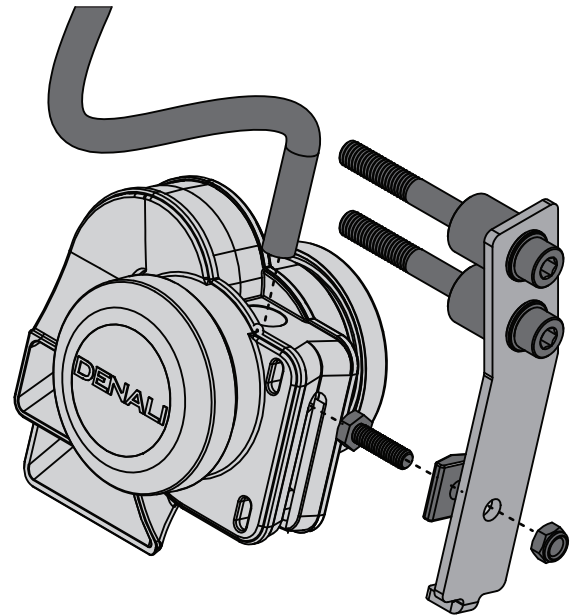


1.3 - Installing The Compressor To Bracket-B

Step One: Install the remaining hose end onto the compressor, making sure it is all the way on and secure.

Step Two: Use the horn provided hardware (M8 Hex bolt, M8 Nut) and a 13mm wrench to secure the compressor to Bracket-B. The left wall of the compressor mount should be flat up against the bent tab of the bracket and top should be flush with the brackets top edge.

Step Three: Once final adjustments have been made, you may fully tighten the bolt and use the M8 Nut Cap to cover the nut from the front side.



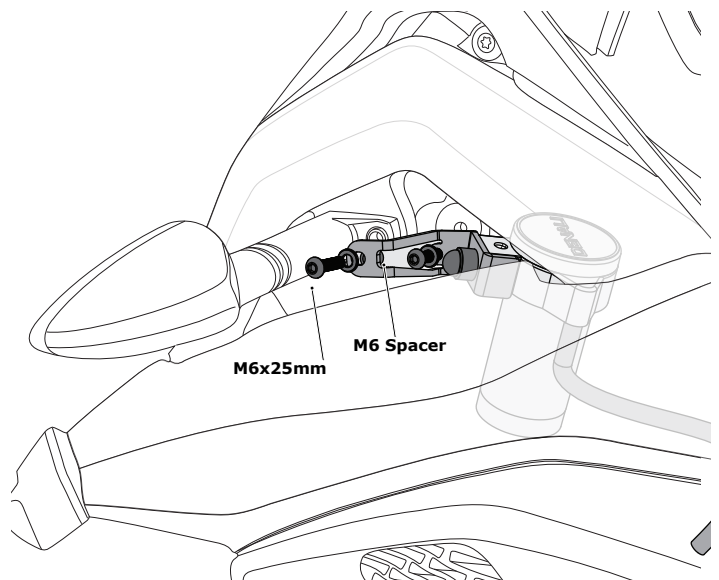
1.2 - Installing The Acoustic Unit To Bracket-A

Step One: Install the hose into the top of the acoustic unit, firmly press down to make sure it is all the way on and secure.

Step Two: Before mounting to the bracket, route the remainder of the hose behind the steering head through the tubular frame sideways towards the left side.

Step Three: Mount the acoustic unit to the installed bracket-A using the horn's included hardware (M6 Hex Bolt, dampener, M6 nut) and a 10mm wrench.

NOTE: The hex head should be slid all the way up to the top of the slot.



1.4 - Installing Bracket-B To The Bike

Step One: Locate both of the mounting points, one at the turn signal and the other behind it at the left side headlight housing, and remove the factory screws using a T30 torx bit.

Step Two: Mount Bracket-B to the mounting locations using the two M6x25mm screws and secure with a 4mm Allen. Use the M6 washers on each and the M6 Spacer behind the bracket at the turn signal location

Note: For ease of installation start with the headlight housing mount location first and hand tighten. Attach the second mount and then securely tighten both.