



Horn Mounting Bracket HMT.07.10700

Thank you for choosing DENALI

We know you would rather be riding your bike than wrenching on it, so we go the extra mile to make sure our instructions are clear and as easy to understand as possible. If you have any questions, comments, or suggestions don't hesitate to give our gear experts a call at 401.360.2550 or visit WWW.DENALIELECTRONICS.COM

Please Read Before Installing

DENALI products should always be installed by a qualified motorcycle technician. If you are unsure of your ability to properly install a product, please have the product installed by your local motorcycle dealer. DENALI takes no responsibility for damages caused by improper installation. **Caution:** When installing electronics it is extremely important to pay close attention to how wires are routed, especially when mounting products to the front fender, front forks, or fairing of your motorcycle. Always be sure to turn the handlebars fully left, fully right, and fully compress the suspension to ensure the wires will not bind and have enough slack for your motorcycle to operate properly.

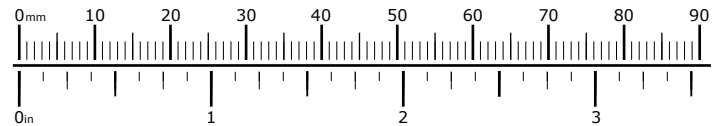
Installation Tips

We strongly recommend using medium strength liquid thread locker on all screws, nuts, and bolts. It is also important to ensure that all hardware is tightened to the proper torque specifications as listed in your owner's manual. For included accessory hardware please refer to the default torque specifications provided below. Inspect all hardware after the first 30 miles to ensure proper torque specifications are maintained.

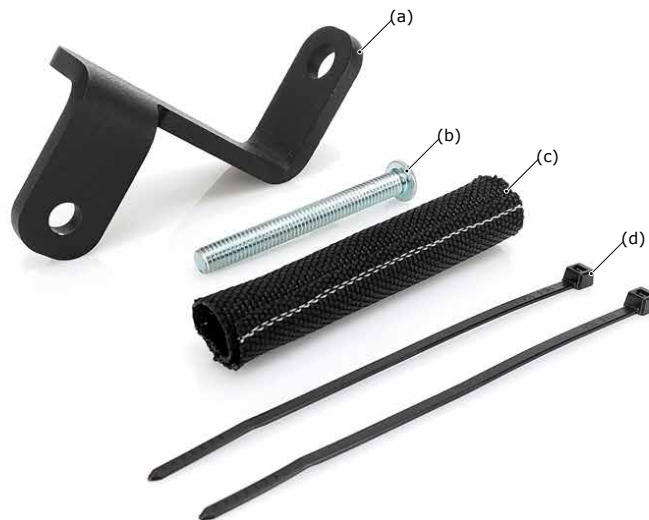
Bolt Size	in-lbs	ft-lbs	Nm
M3	10.0 in-lbs	-	1.0 Nm
M4	23.0 in-lbs	-	2.5 Nm
M5	44.5 in-lbs	3.5 ft-lbs	5.0 Nm
M6	78.0 in-lbs	6.5 ft-lbs	9.0 Nm
M8	-	13.5 ft-lbs	18.0 Nm
M10	-	30.0 ft-lbs	41.0 Nm
M12	-	52.0 ft-lbs	71.0 Nm

Hardware Sizing Guide

Not sure what size bolt you have? Use this ruler to measure screws, bolts, spacers, etc. Remember, the length of a screw or bolt is measured from the start of the "mounting surface" to the end of the screw, so only include the screw head when measuring countersunk screws.



What's In The Box?

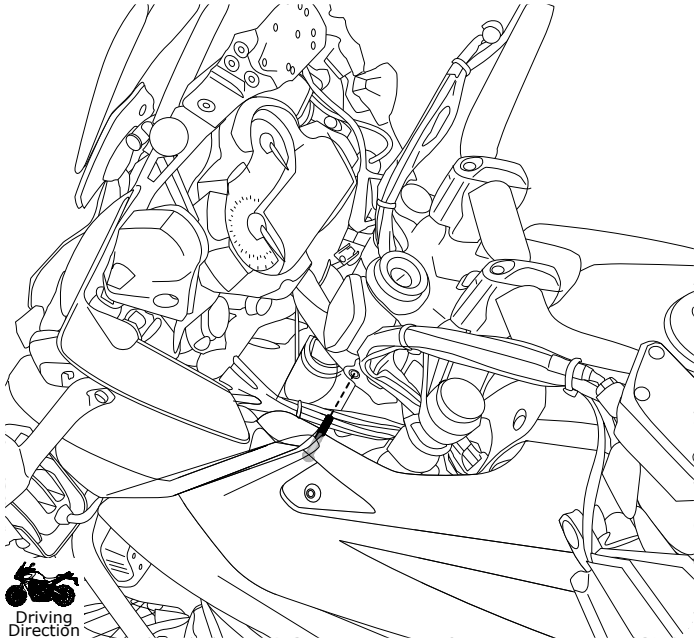


Kit Contents

- (a) Horn Mounting Bracket.....Qty 1
- (b) M6x55 ISO 7380.....Qty 1
- (c) 1/2" x 3" Abrasion Resistant Wrap-Around Sleevng.....Qty 1
- (d) Zip Tie, 4".....Qty 2

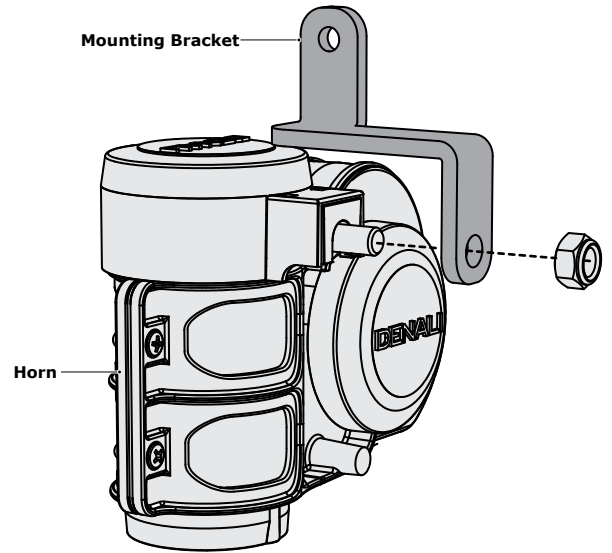
Tools Required: 13mm Wrench, 4mm Allen Key

1. Installing The SoundBomb Horn



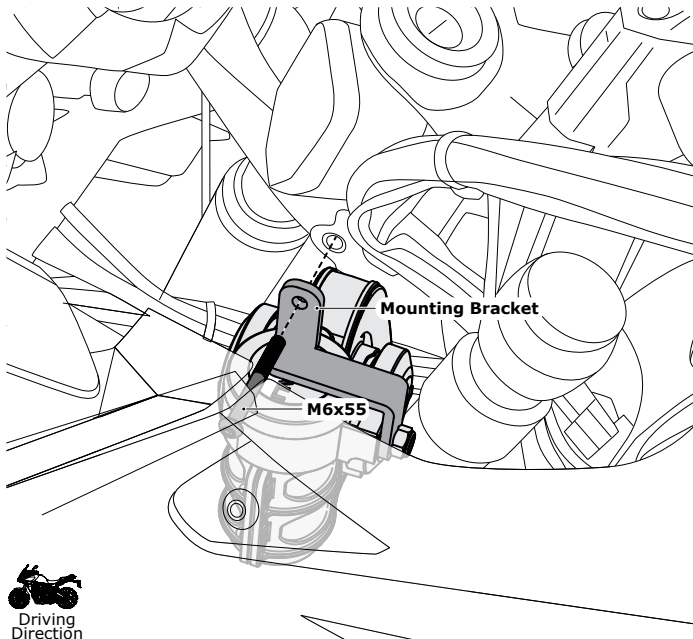
1.1 - Remove The OEM Bolt

Step One: Start by removing the lower M6 mounting bolt from the left side of the upper fairing stay.



1.2 - Install The Bracket To The Horn

Step One: Use the hardware supplied with the horn to bolt it to the mounting bracket (a).



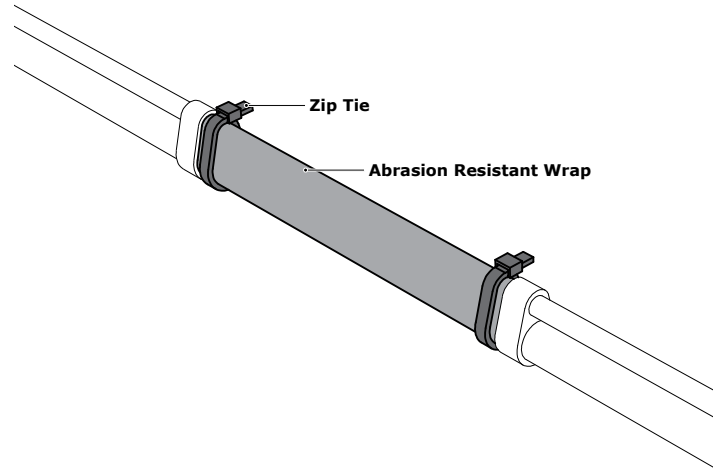
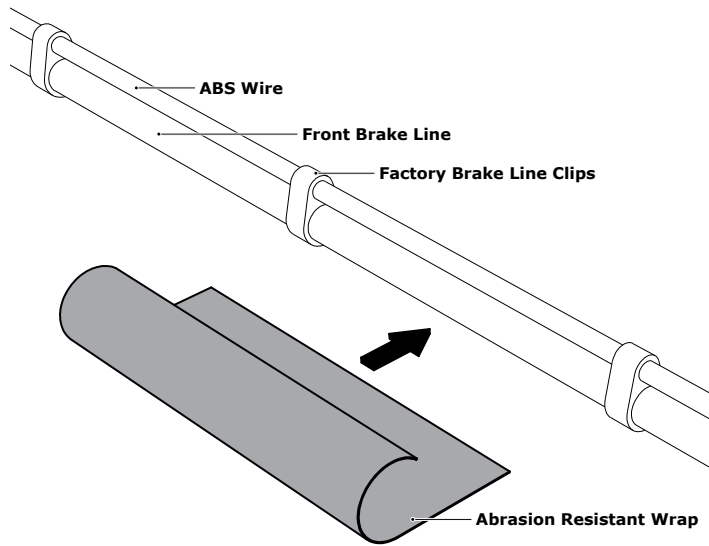
1.3 - Install The Horn To The Bike

Step One: Use the M6x55 bolt (b) to mount the bracket (a) and horn to the upper fairing stay. Do not fully tighten at this time.

Step Two: Rotate the handle bars fully left and right while rotating the bracket towards the rear of the bike to a position where the horn has no interference with either of the fork legs or the shock.

Step Three: Once final adjustments have been made, you may fully tighten the bolt.

2. Installing The Brake Line Protector



2.1 - Installing the Brake Line Protector

The routing of the front brake line performed at the factory can vary from bike to bike. This may cause the brake line to come into contact with the SoundBomb horn during steering movement or suspension travel on some installations. If your brake line is making contact with the SoundBomb Horn, use the included Abrasion Resistant Brake Line Protector to prevent wear.

Step One: Locate the point the brake line is making contact with the SoundBomb Horn.

Step Three: Wrap the Abrasion Resistant Wrap (c) around the brake line and ABS wire at the point it makes contact with the horn.

Note: The factory brake line clips can be slid/adjusted if the location of the point of contact does not fall between the two clips.

2.2 - Securing The Brake Line Protector

Step One: Use the Zip Ties (d) to secure each end of the Abrasion Resistant Wrap (c).