



Custom Dynamics® 5.75" Halo LED Headlamp Installation Instructions

We thank you for purchasing the Custom Dynamics® 5.75" Halo LED Headlamp! Our products utilize the latest technology and high quality components to ensure you the most reliable service. We offer one of the best warranty programs in the industry and we back our products with excellent customer support, if you have questions before or during installation of this product please call Custom Dynamics® at 1(800) 382-1388.

Part Numbers: CD-575-H-B CD-575-H-C

Package Contents:

- 5.75" Headlamp (1)
- Instructions

Fitment: 2022-earlier Harley-Davidson® XL Sportster models, 2015-2021 XG Street Models, and 2017-Earlier Dyna models (except Switchback). Fits most 2017-Earlier Softail models with 5.75" OEM headlamp buckets including Softail Custom (FXSTC), Cross Bones (FLSTSB), Deuce (FXSTD), Deuce CVO™ (FXSTDSE), Springer (FXSTS), Heritage Springer (FLSTS), and Springer Classic (FLSTSC). Also Fits 2013-2014 Breakout CVO™ (FXSBSE) and 2016-2017 Pro Street Breakout CVO™ (FXSE).



Installation:

1. Disconnect the vehicle battery negative [-] terminal.
2. Review detailed service manual for instructions on replacing factory headlamp.
3. Remove the factory headlamp from vehicle.
4. Connect the LED headlamp to the existing factory H4 plug and re-install according to your vehicles manual.
5. Re-assemble headlamp per the instructions in detailed factory service manual. Make sure the wires and components of the harness are not pinched during installation and that they will not be exposed to water spray, excessive heat or moving parts.
6. Re-connect vehicle battery negative [-] terminal.
7. Test function of head lamp for high beam and low beam function:
Low Beam is "ON" - High Beam is "OFF".
High Beam is "ON" - Both Low and High Beam are "ON".
8. Properly Aim the headlamp for maximum performance



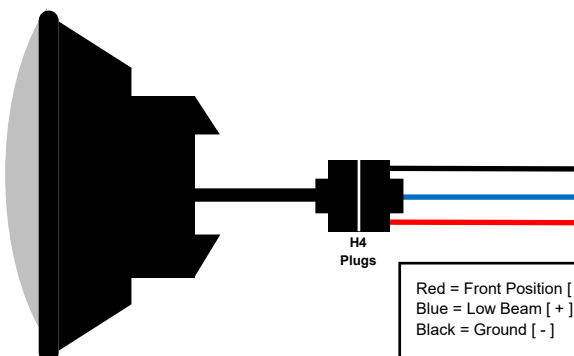
ATTENTION

Please read all Information below before Installation

Important: Due to the increased light output from this unit, it is recommended you take the vehicle to a dealer to have the headlamp properly adjusted. Weight and tire pressure can affect the position of the light.

Warning: To prevent possible electrical shock, disconnect the negative battery terminal before installing this product.

LED Replacement with H4 Plug



Red = Front Position [+]
Blue = Low Beam [+]
Black = Ground [-]

Questions? Call us at: 1 (800) 382-1388 M-TH 8:30AM-5:30PM / FR 9:30AM-5:30PM EST