

Part Number: H-ST-13-FE

Description: Heated Front Saddle

Fitment: 2003 Honda ST 1300

Revision: 1

Corbin

Tools Required	Parts List
13mm socket or combination wrench 5mm Hex key (Allen wrench)	1 #FACC-05 Small Fuse Adapter (Figure 1, A) 1 Fuse box cover (Figure 1, B) 1 #PH_CB-HL Wiring Harness (Figure 1, C) 4 Zip ties

1. Remove the stock seat and side covers to provide access to the battery, fuse box and the routing of the wiring for your heated seat. Refer to your owners manual if necessary.

2. Disconnect the battery negative terminal.

3. Route the wires under the cross pieces on the frame as shown in figure 2. Secure the wires to the wiring harness using one of the supplied zip ties to hold them in place. Do not tighten yet.

4. Run the red wire under the frame towards the fuse box.

5. Connect the fuse adapter to the red wire you've just routed towards the fuse box.

6. Unclip the fuse box from chassis and open the top cover. Remove the 15-amp fuse from the ACCESSORIES position in the fuse box and insert it next to the 7.5-amp fuse in the the fuse adapter. Refer to figure 3.

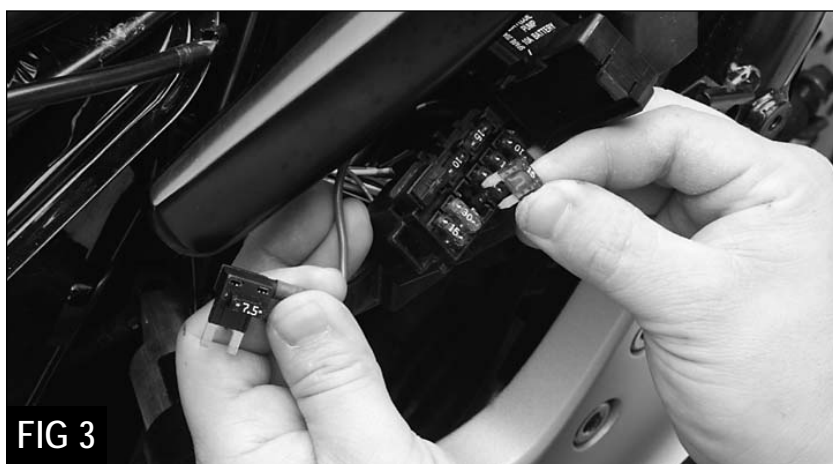
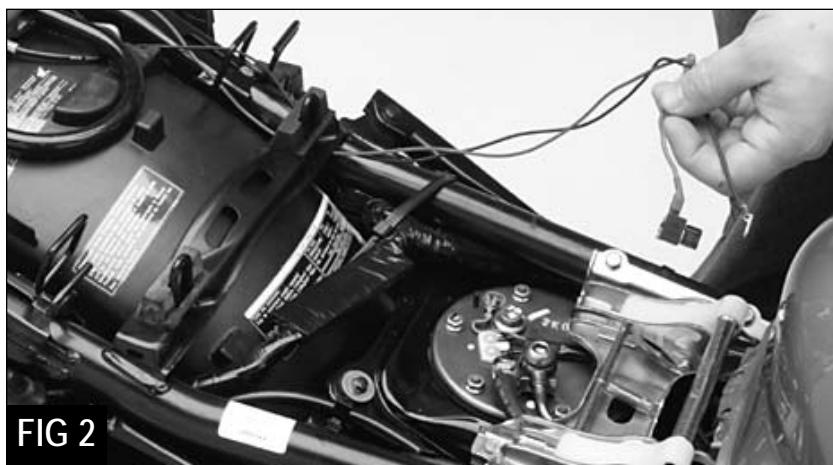
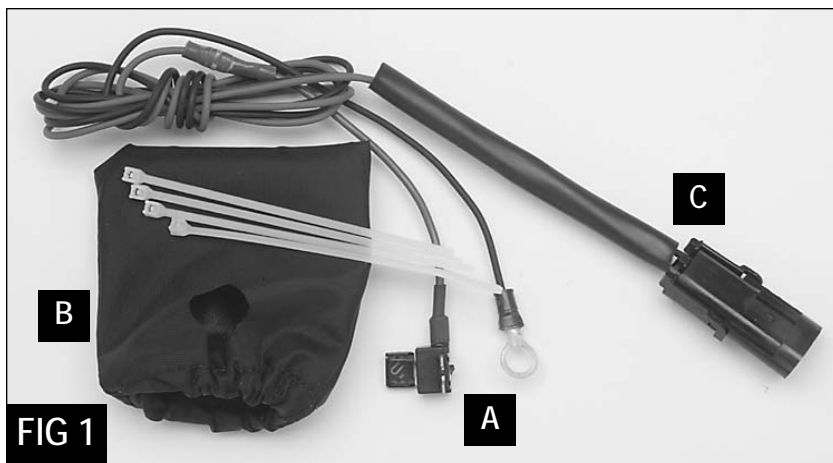
7. Refer to figure 4 and insert the fuse adapter back into the ACCESSORIES position in the fuse box.

NOTE: Photos show Non-ABS model bike, your ABS model ST1300 fuse box will not look the same.

8. The lid of the fuse box will no longer close due to the extra fuse added in step seven. Place the provided cover over the entire fuse box and align the hole in the cover over the clip.

9. Reattach the fuse box to the frame in its original position and clip into place as shown in figure 5.

10. Run the black wire under frame bridges and route to the battery.



11. Attach the black wire UNDER the ground wire on the battery with a 10mm wrench. Tighten the negative post securing the ground. Refer to figure 6.

12. Secure the wires in place using the provided zip ties and pull tight. Verify that all wiring is neatly out of the way to prevent damage or possible shorting.

13. Replace your side panels and saddle bags.

14. Put the OEM seat adjustment bracket to the desired position and adjust the rear bracket to the correct setting in figure 7. Then adjust the Corbin bracket accordingly (Figure 8).

15. Plug the previously wired pigtail into the receptacle on the bottom of the Corbin Saddle. Assure that all wiring is out of the way of the seat for installation.

16. Slip the nose tab of the seat on to the OEM bracket and lower the seat into the slots of the rear mounting bracket of the seat (*mounts like stock seat*).

17. Turn the switch on to check the wiring. If installed correctly the red lights will go on and the heater will begin to warm the seat. Please note, seat heater operates only with the ignition switch ON.

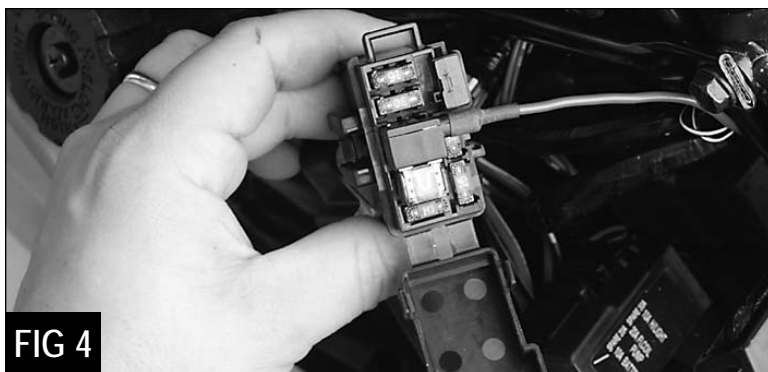


FIG 4



FIG 5



FIG 6



FIG 7

SURFACE TEMPERATURE PERFORMANCE

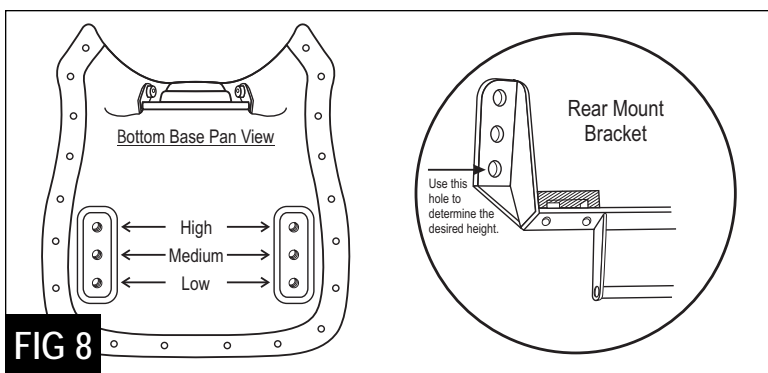
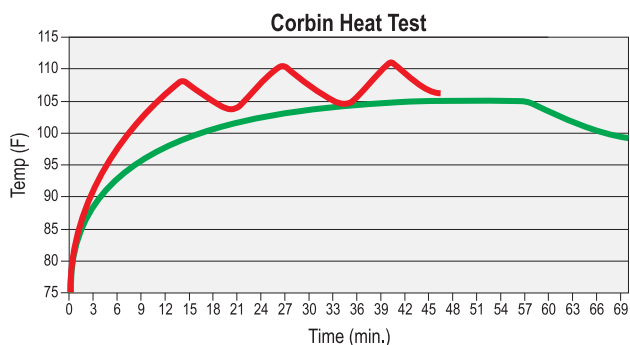


FIG 8

Questions? Give us a holler...
800-223-4332
 tech@corbin.com